



Series 537 Insert Plates for Universal PLCC ZIF Test Socket

FEATURES

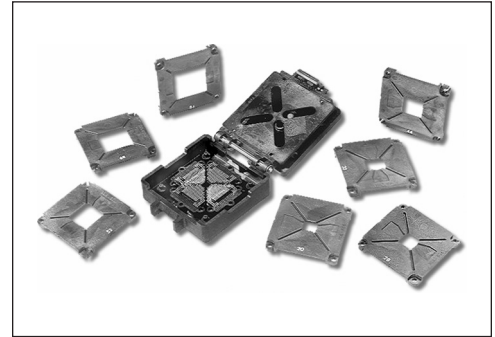
- Seven separate Insert Plates are conveniently hand-inserted into Aries 'Live Bug' Universal PLCC ZIF Test Socket (P/N 84-537-21) to hold seven different sizes of PLCC footprints. Consult **Data Sheet 10010** for test socket information.
- Four mounting holes (2 are bifurcated) mate with mounting post in socket base for a secure assembly.

GENERAL SPECIFICATIONS

- INSERT: black UL 94V-0 glass-filled Polyphenylene Sulfide (PPS)
- OPERATING TEMPERATURE: -85°F [-65°C] to 500°F [260°C]
- CONTACT BLOCK AND LATCH HINGE: available individually

MOUNTING CONSIDERATIONS

- SUGGESTED PCB HOLE SIZE: 0.035 ± 0.002 [0.89 ± 0.05] dia.



CUSTOMIZATION: In addition to the standard products shown on this page, Aries specializes in custom design and production. Special materials, platings, sizes, and configurations can be furnished, depending on the quantity. **NOTE:** Aries reserves the right to change product general specifications without notice.

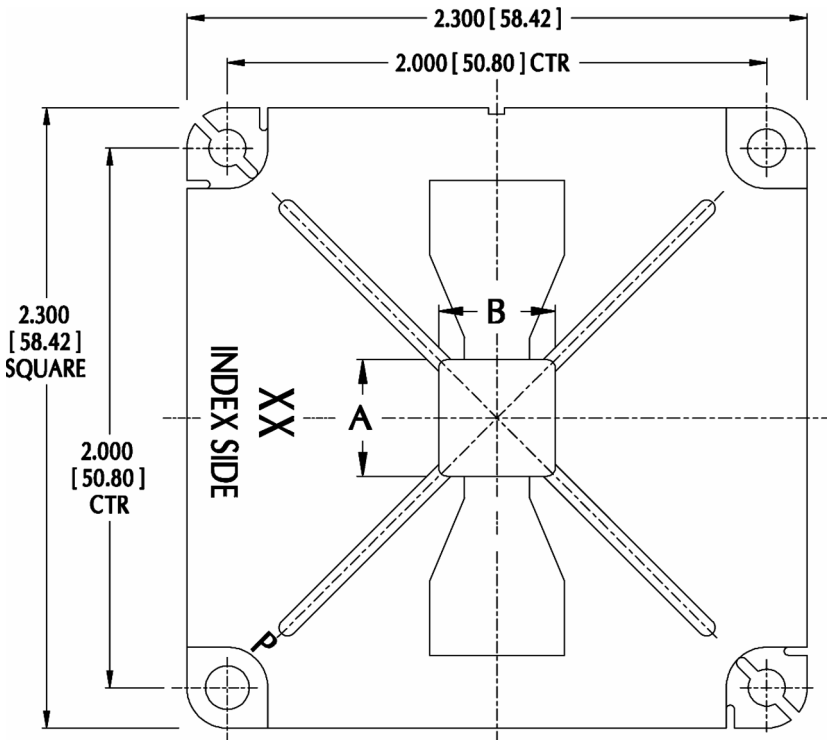
ORDERING INFORMATION

XX-537-20

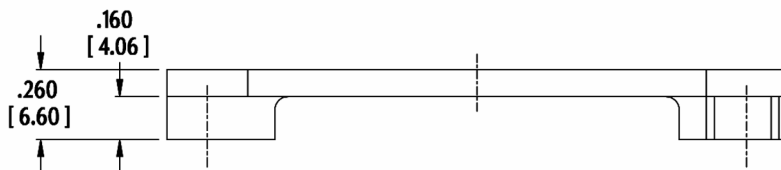
No. of Positions
(see Table below)
Series

USE P/N 1110832 WHEN ORDERING ALL SEVEN INSERT PLATES

ALL DIMENSIONS: INCHES [MILLIMETERS]
ALL TOLERANCES: ± 0.005 [0.13] UNLESS OTHERWISE SPECIFIED



No. Positions	Dim "A"	Dim. "B"
20	0.395 to 0.397 [10.03 to 10.08]	0.395 to 0.397 [10.03 to 10.08]
28	0.495 to 0.497 [12.57 to 12.62]	0.495 to 0.497 [12.57 to 12.62]
32	0.495 to 0.497 [12.57 to 12.62]	0.595 to 0.597 [15.11 to 15.16]
44	0.695 to 0.697 [17.65 to 17.70]	0.695 to 0.697 [17.65 to 17.70]
52	0.795 to 0.797 [20.19 to 20.24]	0.795 to 0.797 [20.19 to 20.24]
68	0.995 to 0.997 [25.27 to 25.32]	0.995 to 0.997 [25.27 to 25.32]
84	1.195 to 1.197 [30.35 to 30.40]	1.195 to 1.197 [30.35 to 30.40]



Bristol, PA 19007-6810 USA
TEL (215) 781-9956 • FAX (215) 781-9845
WWW.ARIESELEC.COM • INFO@ARIESELEC.COM



PRINTOUTS OF THIS DOCUMENT MAY BE OUT OF DATE AND SHOULD BE CONSIDERED UNCONTROLLED

10012
Rev. AA