

4

3

2

1

THIS DRAWING IS UNPUBLISHED.

RELEASED FOR PUBLICATION

20

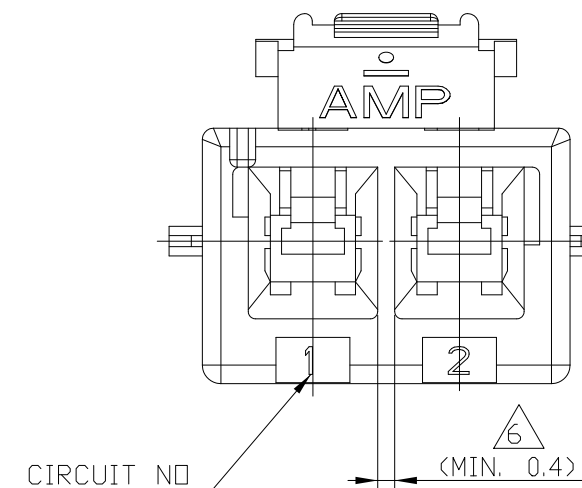
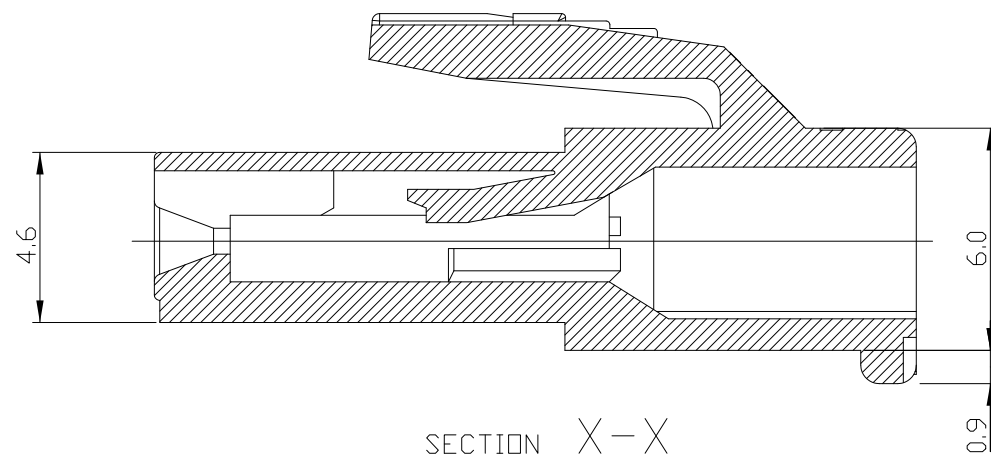
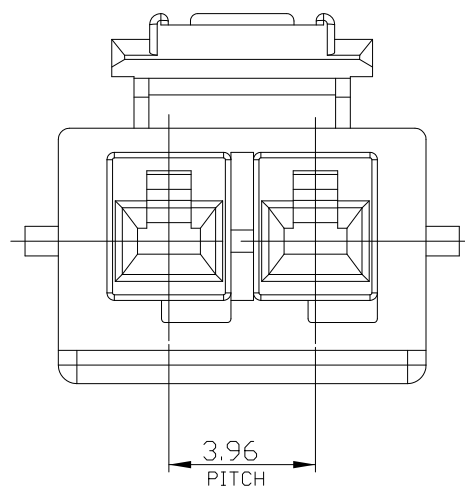
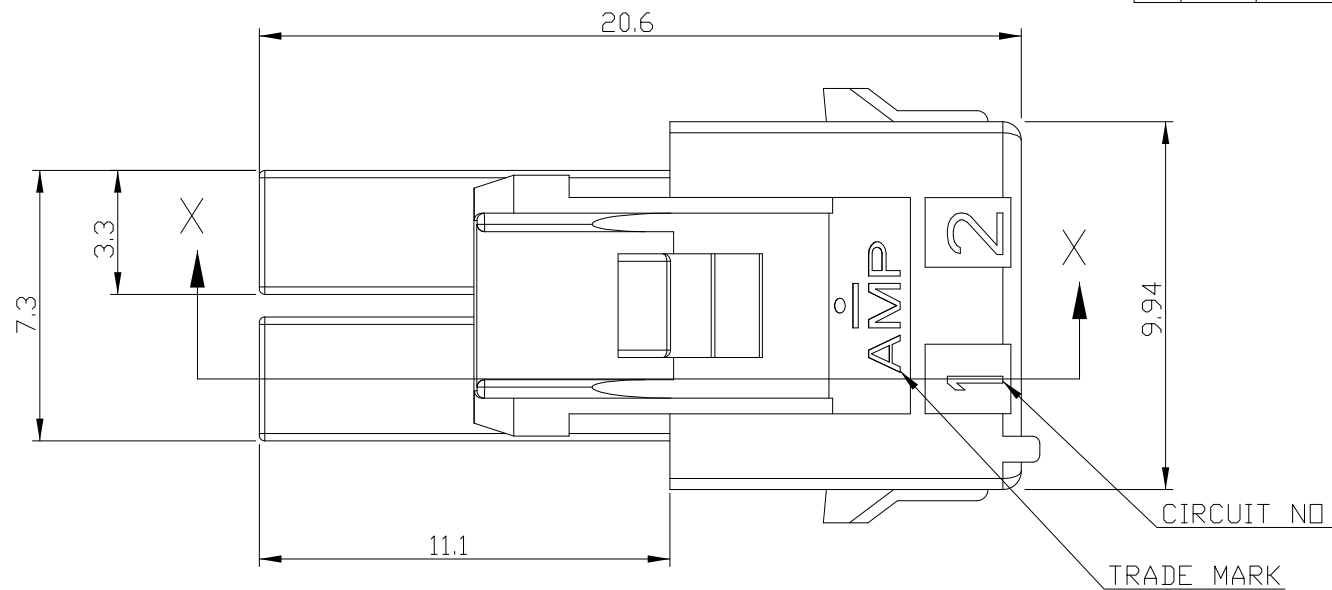
LOC DS

DIST -

REVISIONS

© COPYRIGHT 20 BY TYCO ELECTRONICS CORPORATION. ALL RIGHTS RESERVED.

| P | LTR | DESCRIPTION | DATE | DWN | APVD |
|---|-----|-------------|-----------|-----|------|
| | A | RELEASED | 29.MAY'09 | SC | JK |



- NOTE;
- APPLICABLE CONTACT P/N
 -REC CONTACT:177915- □(AWG#16-#20)
 :177914- □(AWG#22-#26)
 - MATING CONN.P/N
 -CAP HSG:2005248- □(FREE HANGING)
 2005249- □(PANEL MOUNT)
 -TAB CONTACT:177917- □(AWG#16-#20)
 177916- □(AWG#22-#26)
 - APPLICABLE DOUBLE LOCK PLATE:
 177918-1(V-0) OR □-368590-1(V-2,GWT)
 *IT SHOULD BE USED CERTAINLY WHEN CABLE ASS'Y
 - GENERAL TOLERANCES:±0.3
 - ACCORDING TO IEC 60335-1 4.2 EDITION
 -PART MEETS GWT 750° & 850°C.
 -MATERIAL MEETS BALL PRESSURE TESTING AT 125°C.
 -MATERIAL HAS CTI VALUE OF 250V.
 △MIN.THICKNESS OF INSULATING WALL

| | |
|-----------|---------|
| 2005247-9 | BLACK |
| 2005247-6 | BLUE |
| 2005247-4 | YELLOW |
| 2005247-2 | RED |
| 2005247-1 | NATURAL |
| P/N | COLOR |

| DIMENSIONS: | | TOLERANCES UNLESS OTHERWISE SPECIFIED: | | DWN | | NAME | |
|---------------|--------|--|---------|------------------|------------------------------|---------|---------------|
| mm | | 0 PLC | ±- | SC KIM | AMP KOREA Kyungsan, Korea | | |
| | | 1 PLC | ±0.1 | CHK BW KANG | Tyco Electronics | | |
| | | 2 PLC | ±0.01 | APVD JK SONG | PDL 2P PLUG HSG 3.96mm (GWT) | | |
| | | 3 PLC | ±0.001 | PRODUCT SPEC | 108-61106 | SIZE | CAGE CODE |
| | | 4 PLC | ±0.0001 | APPLICATION SPEC | - | A300779 | DRAWING NO |
| | | ANGLES | ±- | WEIGHT | - | 2005247 | RESTRICTED TO |
| MATERIAL | FINISH | | | CUSTOMER DRAWING | | SCALE | SHEET |
| PA66(UL94V-0) | - | | | | | 5:1 | 1 OF 1 |
| | | | | | | REV | A |

Mouser Electronics

Authorized Distributor

Click to View Pricing, Inventory, Delivery & Lifecycle Information:

[TE Connectivity:](#)

[2005247-1](#)