

# PSD-S AS CABLE GLAND M16X1,5

Order No.: 2700145

<http://eshop.phoenixcontact.de/phoenix/treeViewClick.do?UID=2700145>

M16 cable threaded joint x 1.5 mm, black

**Commercial data**

GTIN (EAN)	 4 046356 491372
Note	Made-to-order
sales group	K469
Pack	1 pcs.
Customs tariff	85318095
Catalog page information	Page 316 (AX-2011)

**Product notes**WEEE/RoHS-compliant since:  
02/02/2009

<http://www.download.phoenixcontact.com>  
Please note that the data given here has been taken from the online catalog. For comprehensive information and data, please refer to the user documentation. The General Terms and Conditions of Use apply to Internet downloads.

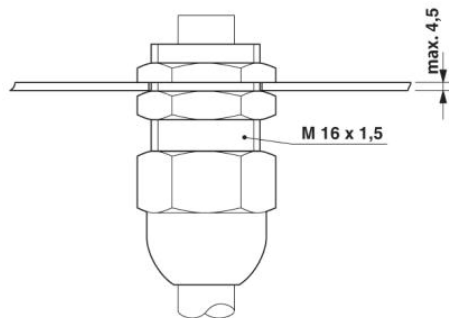
**Technical data****General data**

Diameter	18 mm
Height	35 mm
Material	PA
Color	black
Weight	10 g

Ambient temperature (operation)	-20 °C ... 60 °C
Mounting position	Any
Scope of delivery	1 x nut

### Diagrams/Drawings

Dimensioned drawing



**Address**

PHOENIX CONTACT Inc., USA  
586 Fulling Mill Road  
Middletown, PA 17057, USA  
Phone (800) 888-7388  
Fax (717) 944-1625  
<http://www.phoenixcon.com>



© 2011 Phoenix Contact  
Technical modifications reserved;