

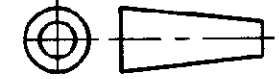
ZEICHNUNG GESCHÜTZT DURCH
 ©COPYRIGHT 1988
 AMP DEUTSCHLAND GMBH
 ALLE RECHTE VORBEHALTEN

REV.	ÄNDERUNG	DATUM	NAME
1	MASS 2.54 ^{+0.3} / _{-0.1} WAR 2.54 , 2.2 WAR 2.5	02.11.88	AUGUSTINIAK
2	MASS 3.0±0.2 WAR 3.0 HINZU ALLG. TOLERANZ ±0.1	29.11.90	A.HO
3	ZEICHNUNG IN EUROPEAN PROJECTION GEÄNDERT		
	LÖTLÄNGE VON 3.0 IN 3.1 GEÄNDERT	12.03.92	A.HO

DO NOT SCALE
 DIMENSIONS IN mm

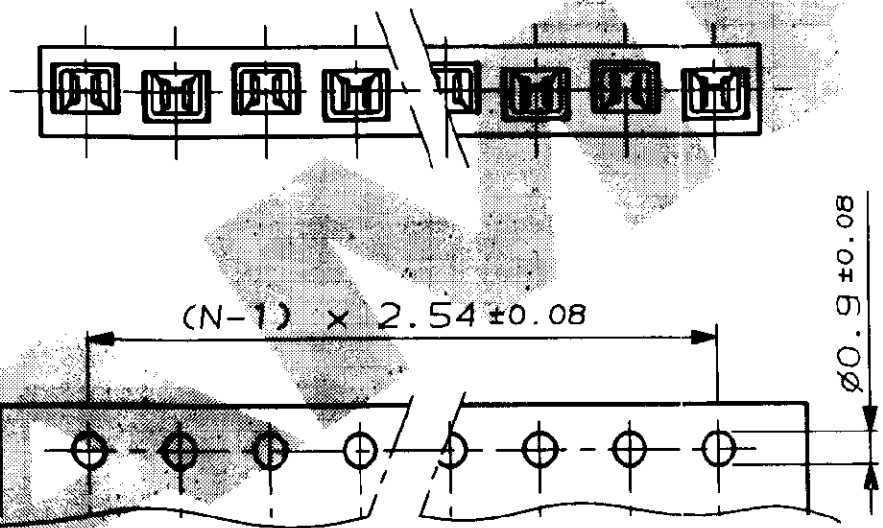
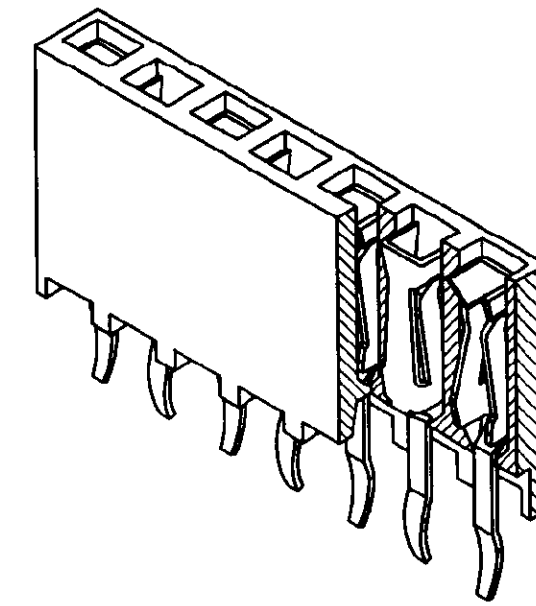
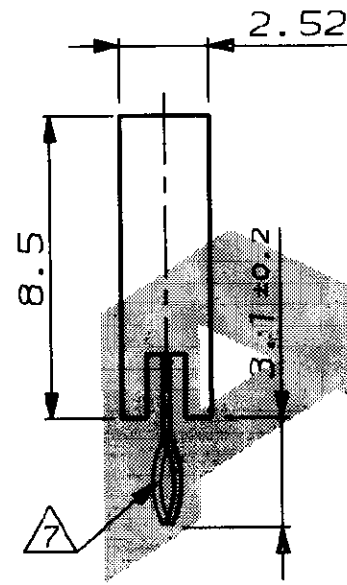
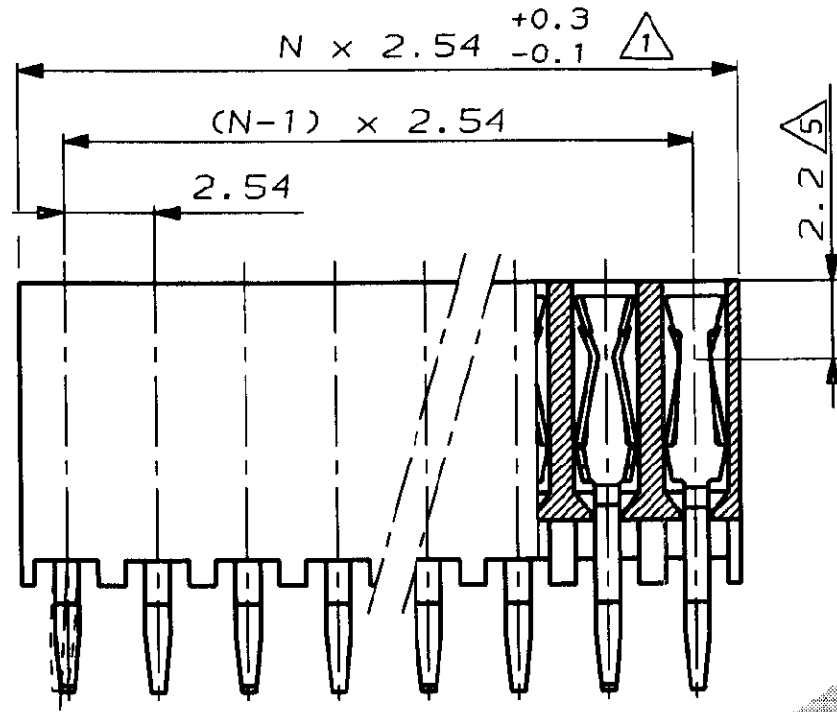
METRIC

EUROPEAN
 PROJECTION



NOTES:

- TO DETERMINE DIMENSIONS TAKE N = NR. OF POS.
 FOR EXAMPLE: 10 POS.: $N \times 2.54 = 25.4$ mm.
 FOR ORDERNR. USE BASIC NR. + NR. OF POS.
 FOR EXAMPLE: 2 POS. = 215 299-2 (SHORTEST VERSION)
 36 POS. = 3-215 299-6 (LONGEST VERSION)
- HOUSING MATERIAL: GREEN GLASSFILLED POLYESTER,
 UL 94V-0
 CONTACT MATERIAL: PHOSPHORBRONZE.
- PLATING, UNDERCOATING: 1,3µm Ni.
 AT CONT.PLACE: 0,8µm Au.
 AT SOLDER-TYNES: 2,5µm Sn.Pb.
- MATES WITH 0,63 SQUARE/ROUND MODU POSTS.
- CONTACT-POINT.
- RECOMMENDED P.C.BOARD-THICKNESS: 1,6.
- RETENTION FEATURE.



P.C.-BOARD HOLE-PATTERN

	SEE NOTES	SEE NOTES	SEE NOTES
	FINISH	MATERIAL	PARTNUMBER
CUSTOMER DRAWING	AMP HOLLAND B.V. 's-Hertogenbosch, The Netherlands.		
	THIS DRAWING IS UNPUBLISHED RELEASED FOR PUBLICATION 14.8.1986		
	© COPYRIGHT 1986 BY AMP-HOLLAND B.V. ALL INTERNATIONAL RIGHTS RESERVED. AMP PRODUCTS MAY BE COVERED BY U.S. AND FOREIGN PATENTS AND/OR PATENTS PENDING.		
DR. L.V.D. HEYDEN	DATE 09.07.86	WIRE RANGE -	NAME HV 100 VERTICAL CONNECTOR
CHK. W.SIMONS	DATE	INSUL. RANGE -	SINGLE ROW, 8,5mm HEIGHT, TOP ENTRY, GOLD, MAX. 36 POSITIONS.
APP. L.V.SOEST	DATE	SIZE A3	SHEET 1 OF 1
		DWG. No.	215 299
		REV. DATE	D M Y
			29 11 90
		REV. LTR.	3

NICHT TOLERIERTE MASSE	± 0.1
MASSTAB	5:1

8 | 7 | 6 | 5 | 4 | 3 | 2 | 1