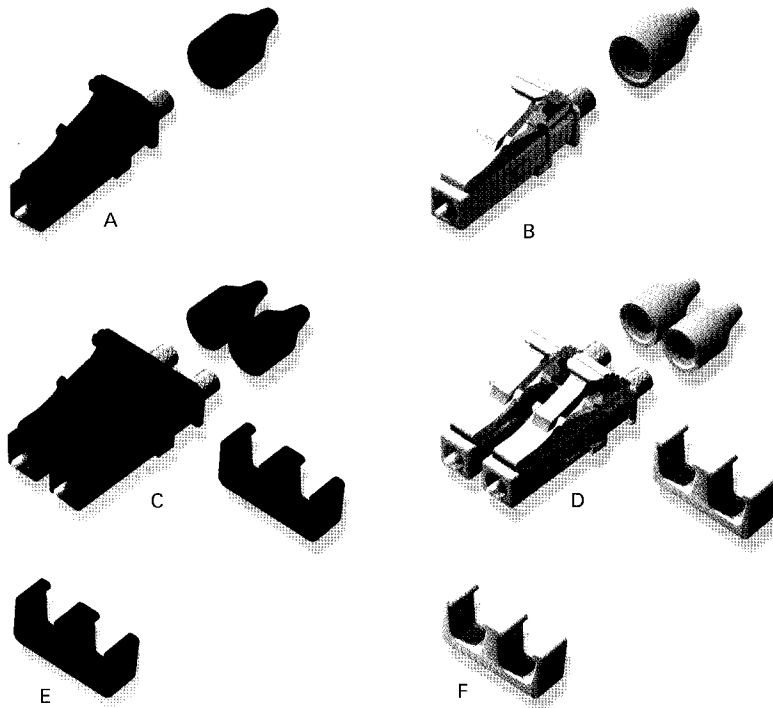




### LC Connectors (Epoxy/Polish)



### Product Facts

- LC small form factor design is half the size of SC
- Each connector terminates one 900  $\mu\text{m}$  tight-buffered fiber, one 3 mm jacketed cable or one 1.6 – 2.0 mm jacketed fiber (select appropriate part number)
- Duplex kits include two simplex connectors and one duplex clip
- Suitable for use with heat-cured or anaerobic (quick cure) epoxies
  - ... See Instruction Sheet for recommended anaerobic epoxies
- Pre-radiused ceramic ferrules for easy polishing
- Multimode connectors are suitable for use with 50/125  $\mu\text{m}$ , XG (850 nm LO 50/125  $\mu\text{m}$ ) and 62.5/125  $\mu\text{m}$  fibers
- Mates with standard couplers, adapters and adapter plates

4.2

CONNECTORS, MECHANICAL SPLICES, COUPLERS & ADAPTERS

Description	Fiber Type	Housing Color	Termination	Figure	Part Number
Simplex	Single-mode	Blue	900 $\mu\text{m}$ Buffered	A	1588710-1
			1.6 – 2.0 mm Jacketed	–	1588709-1
			3.0 mm Jacketed	–	1693482-1
	Multimode	Beige	900 $\mu\text{m}$ Buffered	B	1588706-1
			1.6 – 2.0 mm Jacketed	–	1588705-1
			3.0 mm Jacketed	–	1693480-1
Duplex	Single-mode	Blue	900 $\mu\text{m}$ Buffered	C	1588712-1
			1.6 – 2.0 mm Jacketed	–	1588711-1
			3.0 mm Jacketed	–	1693481-1
	Multimode	Beige	900 $\mu\text{m}$ Buffered	D	1588708-1
			1.6 – 2.0 mm Jacketed	–	1588707-1
			3.0 mm Jacketed	–	1693479-1
Duplex Clip		Blue	–	E	1374728-1
		Beige	–	F	1374728-2

NOTE: Highlighted part numbers are routinely stocked for shortest lead times.