

4

3

2

1

THIS DRAWING IS UNPUBLISHED.

RELEASED FOR PUBLICATION

ALL RIGHTS RESERVED.

METRIC

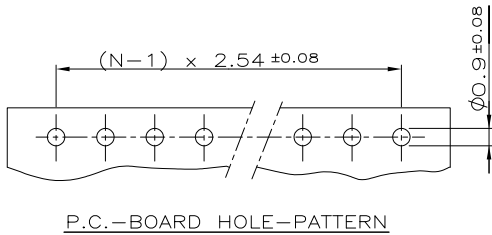
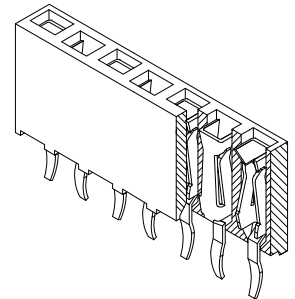
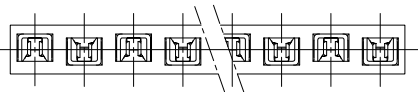
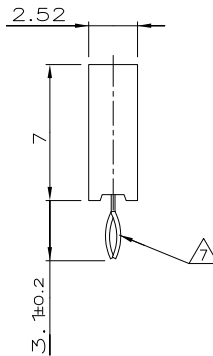
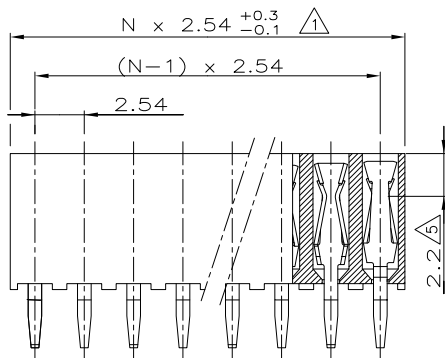
LOC DIST

REVISIONS

P	LTR	DESCRIPTION	DATE	DWN	APVD
C2		REVISED PER ECO-11-005150	21MAR11	RK	HMR

NOTES:

- 1. TO DETERMINE DIMENSIONS TAKE N = NR. OF POS.
FOR EXAMPLE: 10 POS.: $N \times 2.54 = 25.4$ mm.
FOR ORDER NR. USE BASIC NR. + NR. OF POS.
FOR EXAMPLE: 2 POS. = 215 297-2 (SHORTEST VERSION)
36 POS. = 3-215 297-6 (LONGEST VERSION)
- 2. HOUSING MATERIAL: GREEN GLASSFILLED POLYESTER, UL 94V-0
CONTACT MATERIAL: PHOSPHORBRONZE.
- 3. PLATING: UNDERCOATING: $1.3\mu\text{m Ni}$.
AT CONT. PLACE: $0.8\mu\text{m Au}$.
AT SOLDER-TYNES: MIN. $2.5\mu\text{m Sn}$
- 4. MATES WITH 0,63 SQUARE/ROUND MODU POSTS.
- 5. CONTACT-POINT.
- 6. RECOMMENDED P.C. BOARD-THICKNESS: 1,6.
- 7. RETENTION FEATURE.
- 8. HV100 CONNECTOR PACKED IN ANTISTATIC BLISTER



P.C.-BOARD HOLE-PATTERN

VERWENDET FÜR E 92-9803	SEE NOTES FINISH	SEE NOTES MATERIAL	SEE NOTES PARTNUMBER
----------------------------	---------------------	-----------------------	-------------------------

THIS DRAWING IS A CONTROLLED DOCUMENT.		DWN R. VISSER 08.05.87	TE Connectivity	
DIMENSIONS: mm		CHK W. SIMONS	NAME	
TOLERANCES UNLESS OTHERWISE SPECIFIED:		APVD L.v. SOEST	PRODUCT SPEC	
0 PLC ± -		APPLICATION SPEC		
1 PLC ± -		WEIGHT		
2 PLC ± 0.1		SIZE		
3 PLC ± -		CAGE CODE		
4 PLC ± -		DRAWING NO		
ANGLES ± -		RESTRICTED TO		
MATERIAL	FINISH	A3 00779 C-215297		
CUSTOMER DRAWING		SCALE	SHEET	REV
		5:1	1 of 1	C2