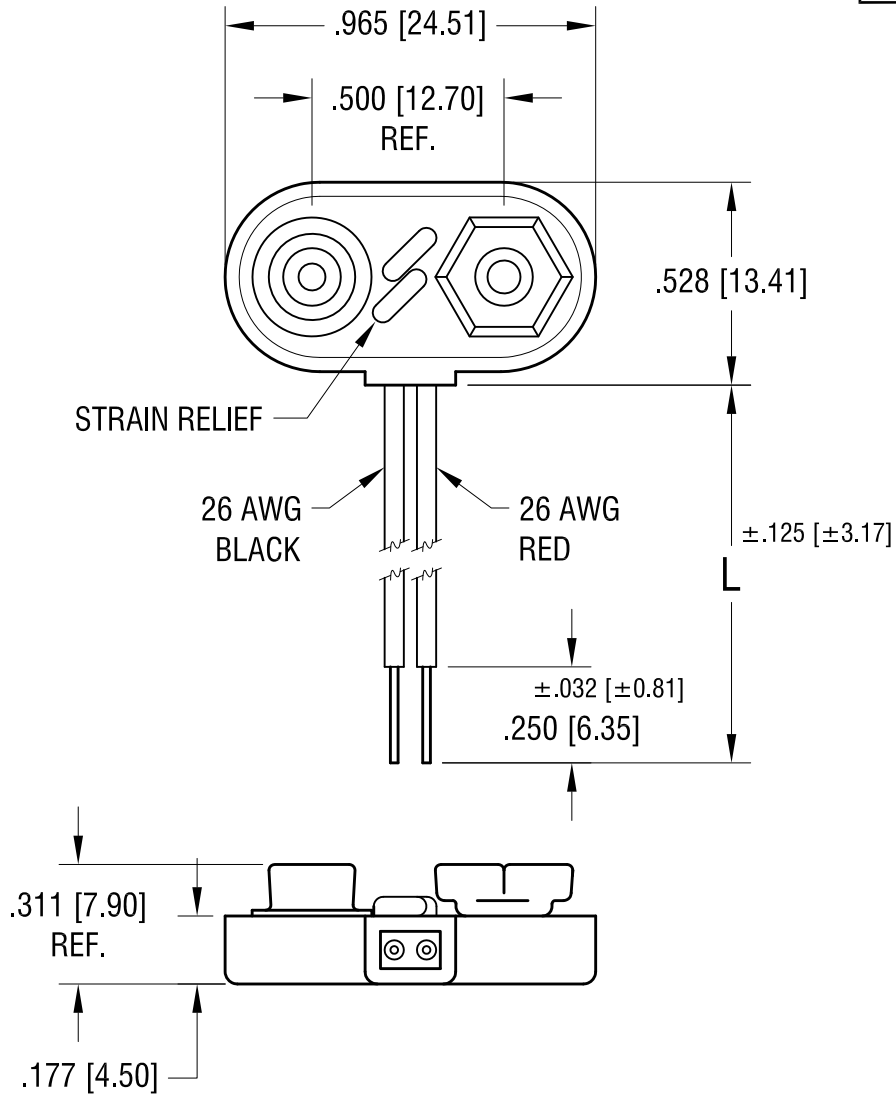


THIS DOCUMENT IS THE PROPERTY OF
KEYSTONE ELECTRONICS CORP. AND
SHALL NOT BE REPRODUCED, DISTRIBUTED
OR USED AS A BASIS FOR MANUFACTURE
WITHOUT PRIOR WRITTEN PERMISSION
FROM KEYSTONE ELECTRONICS CORP.



NOTE:

1. MAT'L:
WIRE: 26 AWG, 1007 UL/CSA APPROVED
CONTACTS: BRASS, NICKEL PLATE
COVER: MOLDED ABS
2. RED WIRE CONNECTED TO FEMALE CONTACT;
BLACK WIRE CONNECTED TO MALE CONTACT.

PART NO.	'L' DIM.
235-M	4.000 [101.60]
236-M	6.000 [152.40]
237-M	8.000 [203.20]

KEYSTONE ELECTRONICS CORP.			
www.keyelco.com • ASTORIA, N.Y. 11105-2017 • Tel (718) 956-8900			
PART NAME MOLDED ECONOMY '9' VOLT BATTERY STRAP			
MATERIAL AS NOTED			
FINISH AS NOTED		DRN BY BOONE	DATE 11.16.05
		APP'D LN	SCALE 2X
TOLERANCES	INCH [MM]	CODE	DWG NO.
DECIMAL	± .020 [± 0.50]	C	235-M - 237-M
ANGULAR ± 1° UNLESS OTHERWISE SPECIFIED			

DATE	DESCRIPTION	REV.

Mouser Electronics

Authorized Distributor

Click to View Pricing, Inventory, Delivery & Lifecycle Information:

[Keystone Electronics:](#)

[235-M](#)