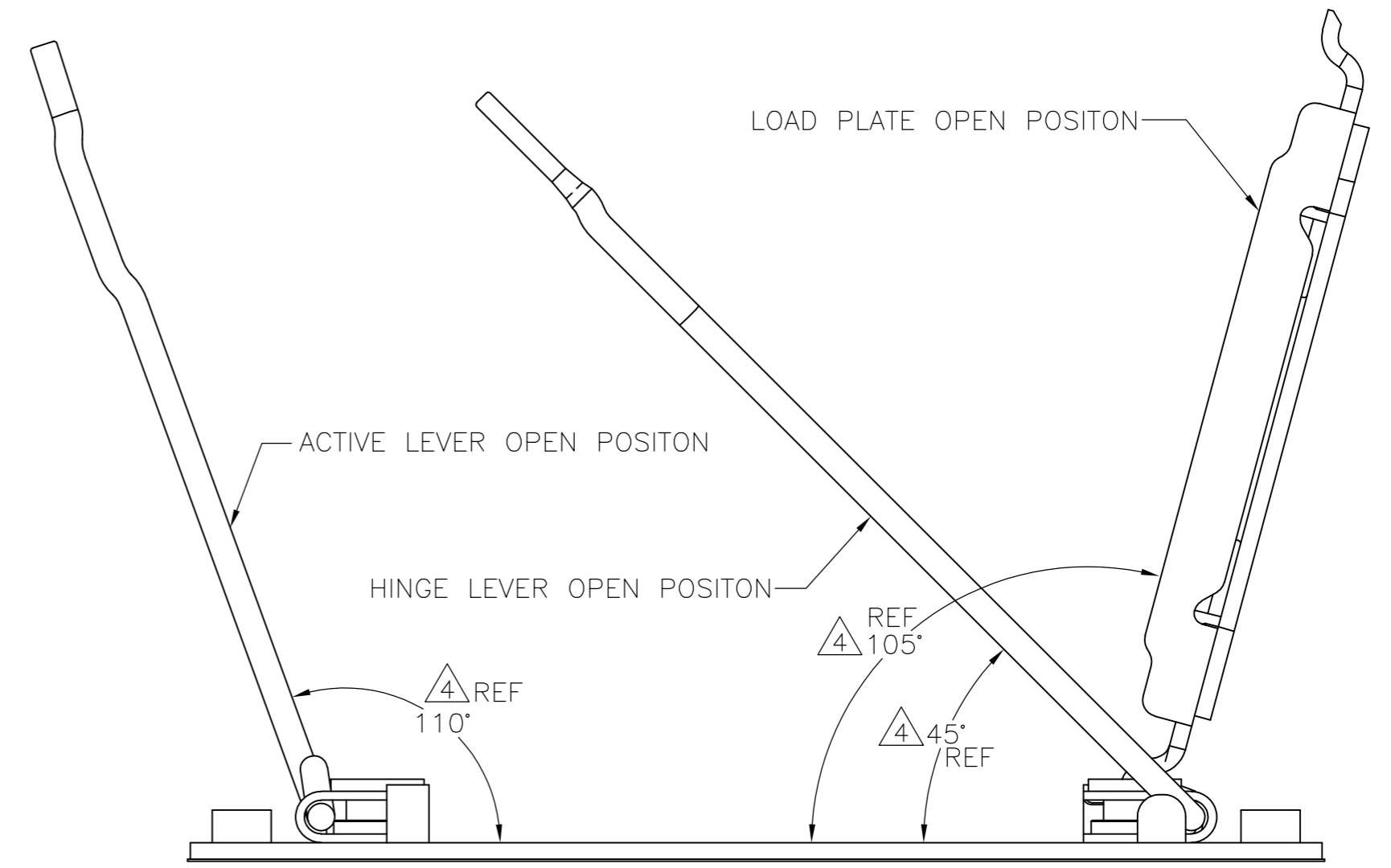
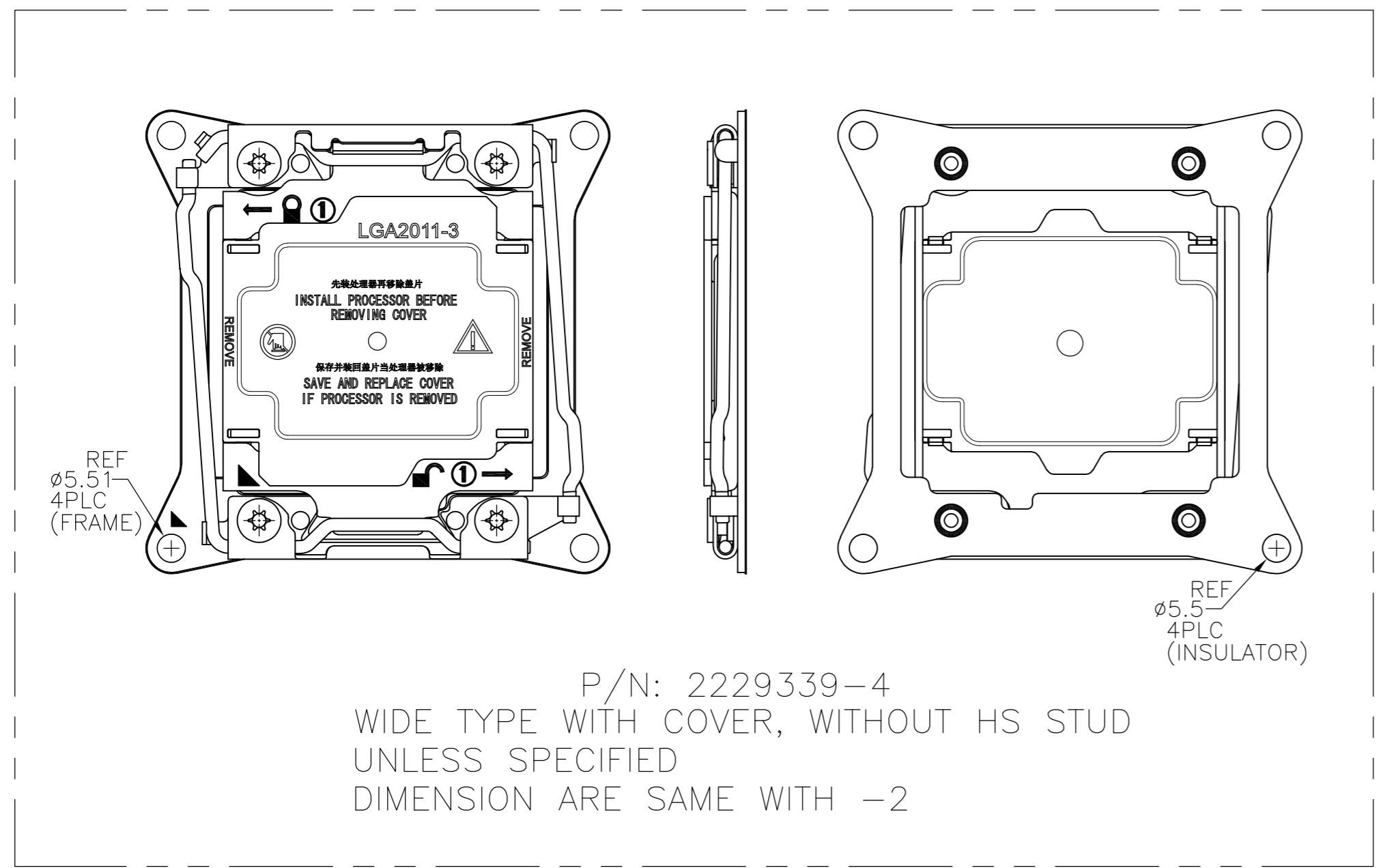
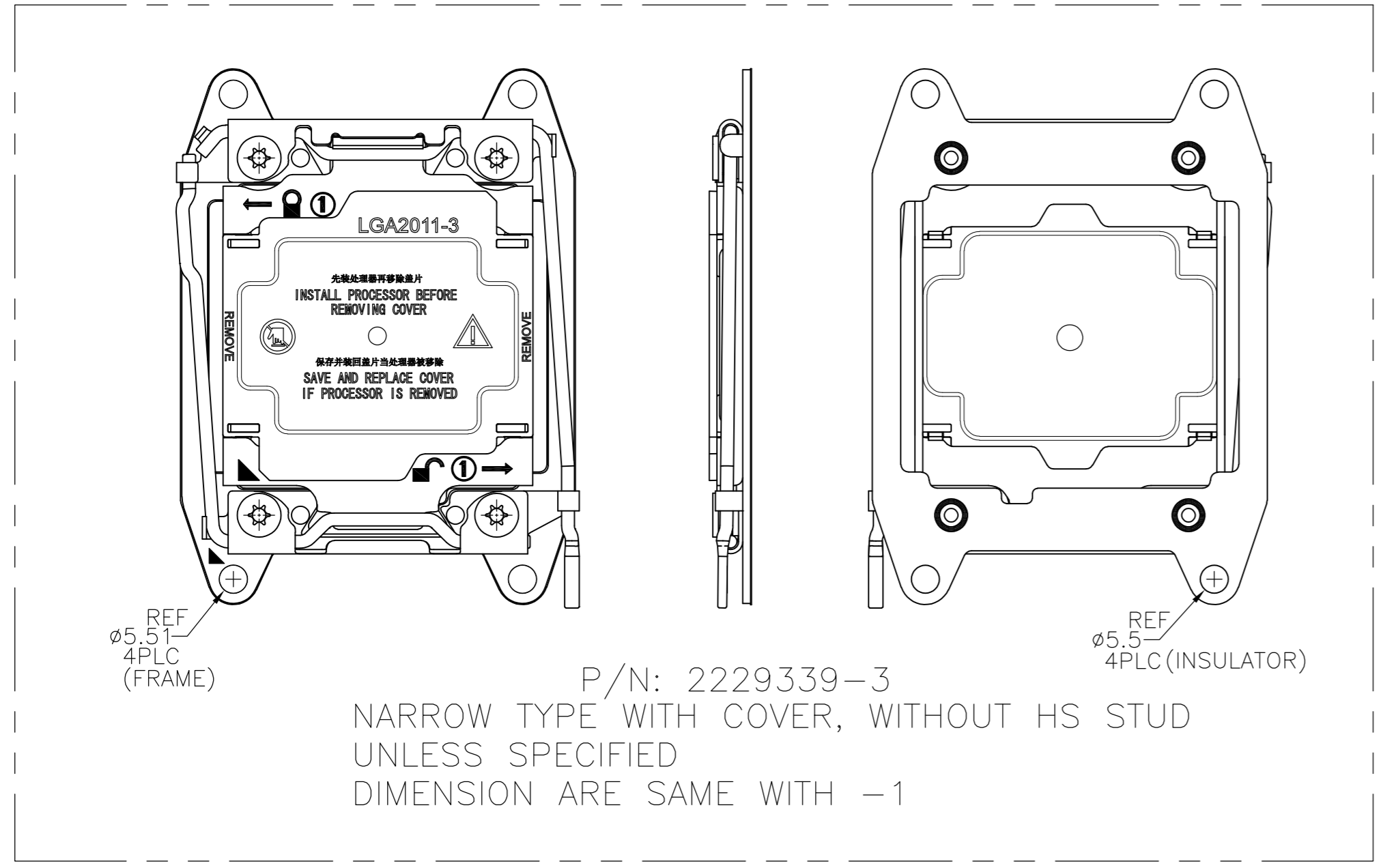






THIS DRAWING IS UNPUBLISHED. RELEASED FOR PUBLICATION APR , 2011.  
 © COPYRIGHT 2011 By Tyco Electronics Japan G.K. ALL RIGHTS RESERVED.

LOC		DIST		REVISIONS			
J		-		我	更		
P	LTR	DESCRIPTION	DATE	DWN	APVD		
-	-	SEE SHEET 1	-	-	-		



LEVER AND LOAD PLATE OPEN ANGLES  
 THE ACTIVE LEVER MUST OPEN TO A SUFFICIENT  
 ANGLE TO ALLOW THE LOAD PLATE TO OPEN FREELY  
 (2229339-1,-2,-3,-4,1-2229339-1,1- -2 AS SHOWN)

THIS DRAWING IS A CONTROLLED DOCUMENT.		DWN	-	<b>TE</b> TE Connectivity	
DIMENSIONS: 单位: 毫米 mm		CHK	-		
TOLERANCES UNLESS OTHERWISE SPECIFIED: 一般公差		APVD	-	NAME 名称	
0-PLC ± ± ± 0.3		PRODUCT SPEC 製品規格		ILM ASSY	
1-PLC ± ± ± 3'		APPLICATION SPEC 取付適用規格		LGA2011-3	
2-PLC ± ± ±		WEIGHT		SIZE	A2
3-PLC ± ± ±		CAGE CODE		CAGE CODE	00779
4-PLC ± ± ±		DRAWING NO 番号		DRAWING NO	C=2229339
ANGLES ± ± ±		RESTRICTED TO		-	
FINISH 仕上		CUSTOMER DRAWING		SCALE	NTS
MATERIAL 材料		SHEET		3 of 3	
		REV		A	