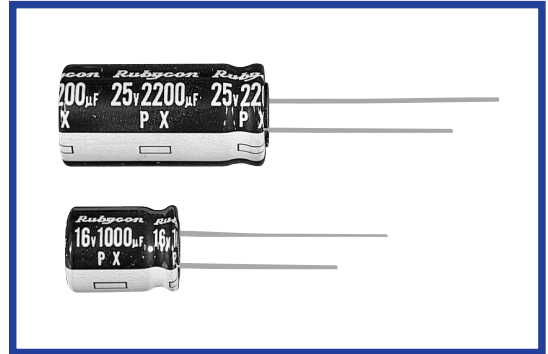


PX SERIES

105°C Standard

◆FEATURES

•RoHS compliance.



◆SPECIFICATIONS

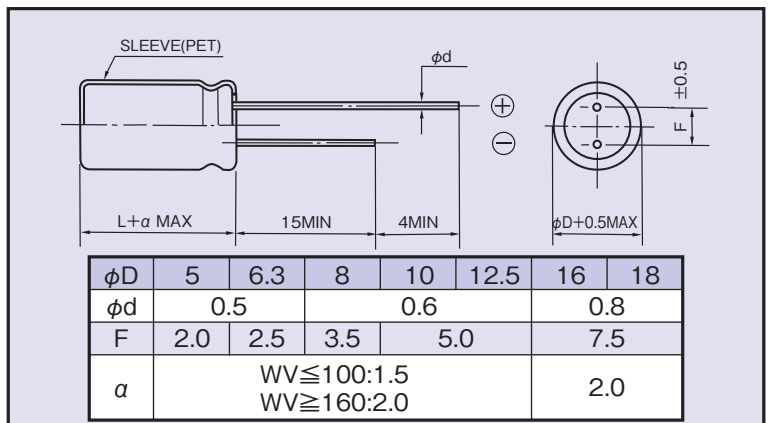
Items	Characteristics														
	-55~+105°C	-40~+105°C	-25~+105°C												
Category Temperature Range	-55~+105°C	-40~+105°C	-25~+105°C												
Rated Voltage Range	6.3~100Vdc	160~400Vdc	450Vdc												
Capacitance Tolerance	±20%(20°C, 120Hz)														
Leakage Current(MAX)	6.3~100Vdc		160~450Vdc												
	I=0.01CV or 3µA whichever is greater. (After 2 minutes application of rated voltage)		CV≤1000												
			CV>1000												
		I=0.1CV+40µA (1minute) I=0.03CV+15µA (5minutes)	I=0.04CV+100µA (1minute) I=0.02CV+25µA (5minutes)												
		I=Leakage Current(µA)	C=Capacitance(µF) V=Rated Voltage(Vdc)												
(tanδ) Dissipation Factor(MAX)	Rated Voltage (Vdc) 6.3 10 16 25 35 50 63 100 160 200 250 350 400 450 (20°C, 120Hz)														
	tanδ 0.28 0.24 0.20 0.16 0.14 0.12 0.10 0.08 0.20 0.20 0.20 0.25 0.25 0.25														
When capacitance is over 1000µF, tanδ shall be added 0.02 to the listed value with increase of every 1000µF.															
Endurance	After applying rated voltage with rated ripple current for specified time at 105°C, the capacitors shall meet the following requirements.														
	Capacitance Change						Within ±25% of the initial value.						Case Size		Life Time (hrs)
	Dissipation Factor						Not more than 200% of the specified value.						φD≤8		1000
Leakage Current						Not more than the specified value.						φD≥10		2000	
Low Temperature Stability Impedance Ratio(MAX)	Rated Voltage (Vdc) 6.3 10 16 25 35 50 63 100 160 200 250 350 400 450 (120Hz)														
	Z(-25°C)/Z(20°C) 5 4 3 2 2 2 2 2 3 3 4 6 6 7														
	Z(-40°C)/Z(20°C) 10 8 6 4 3 3 3 3 4 4 8 8 10 -														

◆MULTIPLIER FOR RIPPLE CURRENT

Frequency (Hz)	60(50)	120	500	1k	10k≤
0.47~1µF	0.50	1.00	1.20	1.30	1.50
2.2~4.7µF	0.65	1.00	1.20	1.30	1.50
10~47µF	0.80	1.00	1.20	1.30	1.50
100~1000µF	0.80	1.00	1.10	1.15	1.20
2200~33000µF	0.80	1.00	1.05	1.10	1.15

◆DIMENSIONS

(mm)



◆OPTION

	Code
PET Sleeve	EFC

◆PART NUMBER

□□□
PX
□□□□□
M
□□□
□□
D×L
 Rated Voltage Series Capacitance Capacitance Tolerance Option Lead Forming Case Size

