

C0603C0G1E4R7C030BA

TDK Item Description : C0603C0G1E4R7CT****

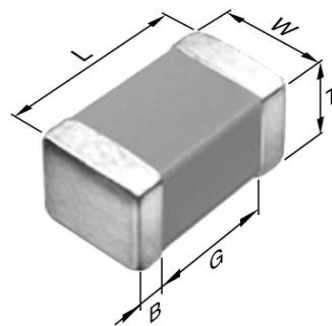


Application & Main Feature

Commercial Grade (General (Up to 50V))

Series

C0603 [EIA CC0201]



Dimensions

L 0.60mm +/-0.03mm
 W 0.30mm +/-0.03mm
 T 0.30mm +/-0.03mm
 B 0.10mm Min.
 G 0.20mm Min.

Temperature Characteristic

C0G (-55 to 125 degC 0+/-30ppm/degC)

Rated Voltage

1E (25Vdc)

Capacitance

4.7pF

Capacitance Tolerance

C (+/-0.25pF)

Q Factor

494 Min.

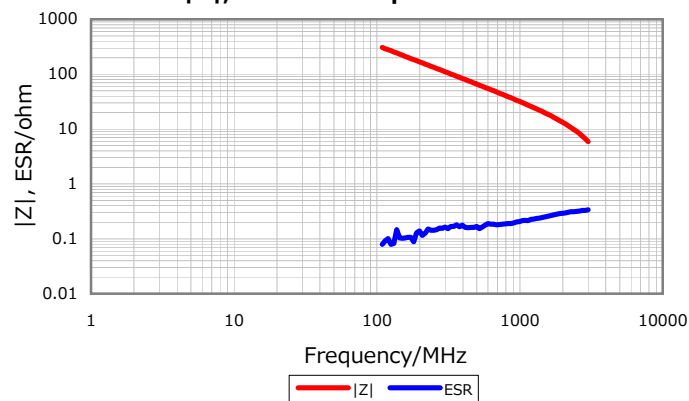
Insulation Resistance

10Gohm Min.

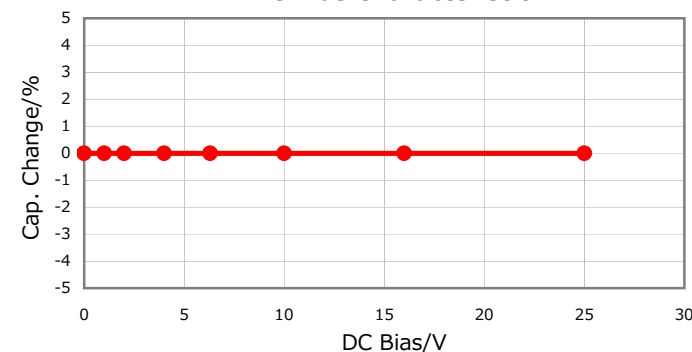
AEC-Q200

Not Applicable

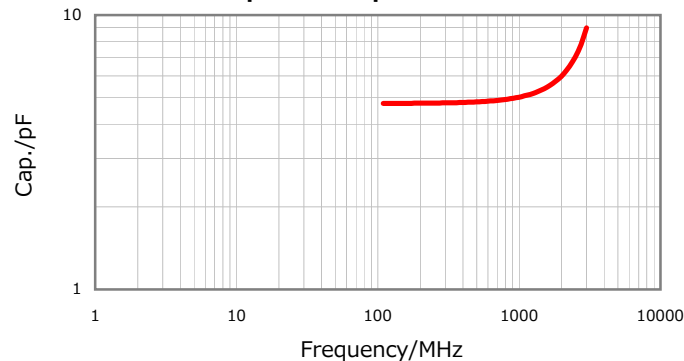
|Z|, ESR vs. Freq. Characteristics



DC Bias Characteristic



Cap. vs. Freq. Characteristic



Temperature Characteristics

