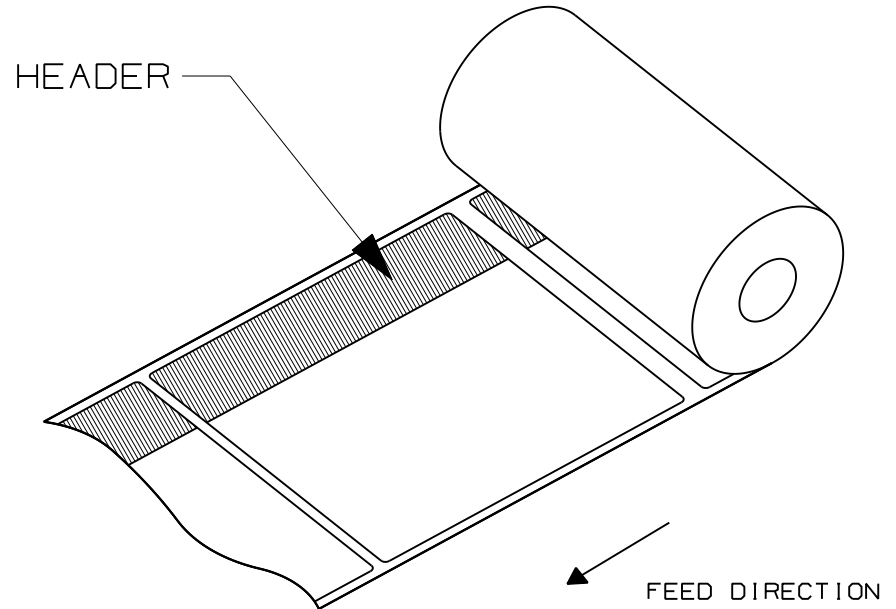
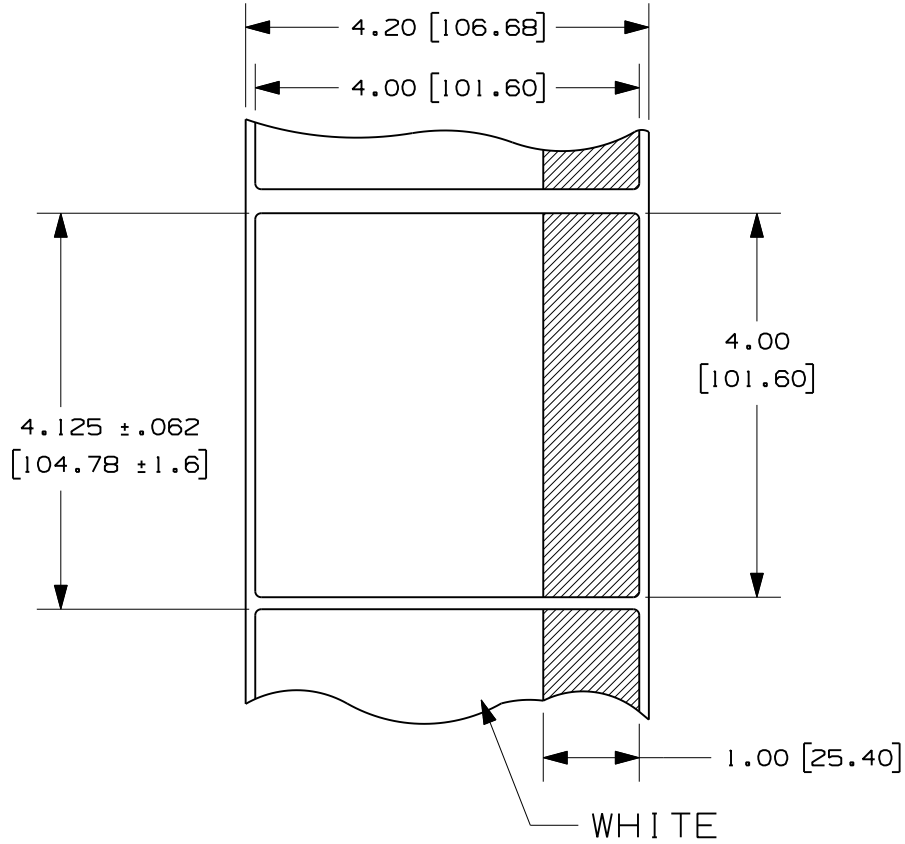


THIS COPY IS PROVIDED ON A RESTRICTED BASIS AND IS NOT TO BE USED IN ANY WAY DETRIMENTAL TO THE INTERESTS OF PANDUIT CORP.



- NOTES:
1. DIMENSIONS IN ( ) ARE MILLIMETERS.
  2. LABELS PER ROW: 1  
LABELS PER ROLL: 250

PART NAME	HEADER COLOR	BACKGROUND COLOR	HEADER TEXT COLOR	HEADER TEXT
C400X400YZ1	RED	WHITE	WHITE	⚠ DANGER
C400X400A51	ORANGE	WHITE	BLACK	⚠ WARNING

CAD FILENAME/LAYERS 100472ST-DC-C10976/00A

PANDUIT CORP. TINLEY PARK, ILLINOIS

CUSTOMER DRAWING  
THERMAL TRANSFER BLANK ARC FLASH LABELS

UNLESS OTHERWISE SPECIFIED,  
DIMENSIONAL TOLERANCES ARE:  
(.X) ± .1 (XXX) ± .025  
(.XX) ± .062 ANGLES ±

UNLESS OTHERWISE SPECIFIED,  
ALL DIMENSIONS ARE GIVEN  
IN INCHES, THIRD ANGLE PROJECTION.

DRAWN BY  
RVU

MAT'L:

SCALE  
NTS

DATE  
12/14/11

GYM4-HT\*  
POLYESTER

DRAWING NO.

C10976

DWG  
A  
SIZE

REV	DATE	BY	CHK	DESCRIPTION	ECN	R	CUST	SUP
0	12/14/11	RVU		DRAWING RELEASE.	6606	R		

CHK'D *[Signature]*