



ALL RIGHTS RESERVED. NO PORTION OF THIS PUBLICATION, WHETHER IN WHOLE OR IN PART CAN BE REPRODUCED WITHOUT THE EXPRESS WRITTEN CONSENT OF SPC TECHNOLOGY.

SPC-F008.DWG

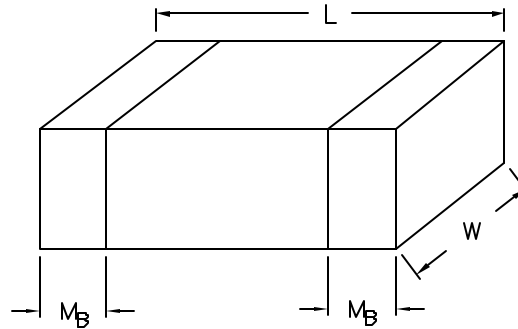
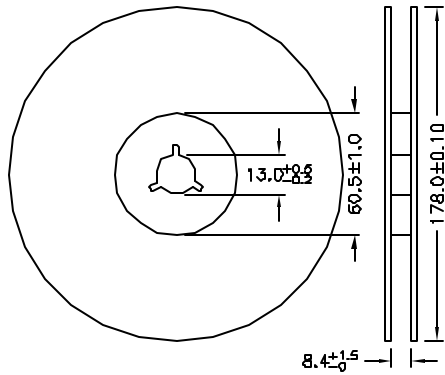
REVISIONS

DOC. NO. SPC-F008 * Effective: 7/8/02 * DCP No: 1398

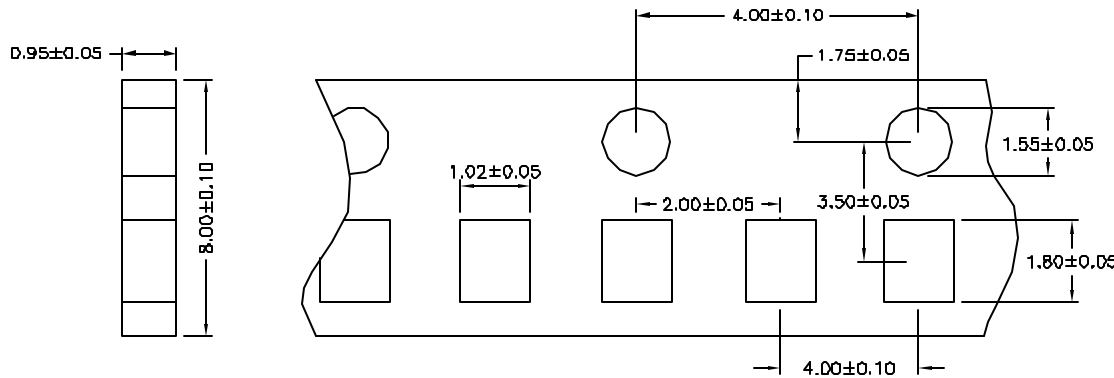
DCP #	REV	DESCRIPTION	DRAWN	DATE	CHECKD	DATE	APPRVD	DATE
2032	A	Released	JN	03/05/09	JWM	03/05/09	JWM	03/05/09



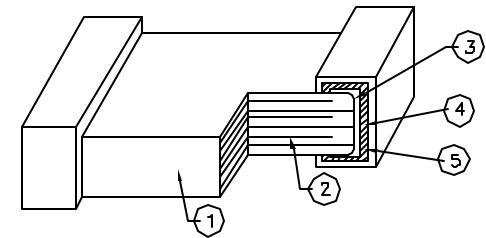
Tape & Reel Dimension



Capacitor Dimension		
L (mm)	W (mm)	M _B
1.60±0.10	0.80±0.10	0.40±0.15



NO.	Name	NPO/X7R	X7R/X5R/Y5V
1	Ceramic material	BaTiO3 based	
2	Inner electrode	AgPd alloy	Ni
3	Termination	Inner layer	Ag
4		Middle layer	Ni
5		Outer layer	Sn (Matt)



DISCLAIMER:
ALL STATEMENTS AND TECHNICAL INFORMATION CONTAINED HEREIN ARE BASED UPON INFORMATION AND/OR TESTS WE BELIEVE TO BE ACCURATE AND RELIABLE. SINCE CONDITIONS OF USE ARE BEYOND OUR CONTROL, THE USER SHALL DETERMINE THE SUITABILITY OF THE PRODUCT FOR THE INTENDED USE AND ASSUME ALL RISK AND LIABILITY WHATSOEVER IN CONNECTION THEREWITH.

TOLERANCES:
UNLESS OTHERWISE SPECIFIED, DIMENSIONS ARE FOR REFERENCE PURPOSES ONLY.

DRAWN BY:	DATE:
Jason Nash	03/05/09
CHECKED BY:	DATE:
Jeff McVicker	03/05/09
APPROVED BY:	DATE:
Jeff McVicker	03/05/09

DRAWING TITLE: Multilayer Ceramic Capacitors			
SIZE	DWG. NO.	ELECTRONIC FILE	REV
A	Ta-1098	Ta-1098.dwg	A
SCALE: NTS	U.O.M.: INCHES [mm]	SHEET: 1 OF 5	

Manufacturers part number	Sell Unit of Measure	Reel Quantity	Capacitance	Capacitance Tolerance	Dielectric Characteristic	Package/Case	Voltage Rating
MC0603B102K101CT	TC		1000 pF	± 10%	X7R	0603	100 VDC
MC0603B102K101CT	TR	4000	1000 pF	± 10%	X7R	0603	100 VDC
MC0603B102K500CT	TC		1000 pF	± 10%	X7R	0603	50 VDC
MC0603B102K500CT	TR	4000	1000 pF	± 10%	X7R	0603	50 VDC
MC0603B102M101CT	TC		1000 pF	± 20%	X7R	0603	100 VDC
MC0603B102M500CT	TC		1000 pF	± 20%	X7R	0603	50 VDC
MC0603B103K160CT	TC		0.01 µF	± 10%	X7R	0603	16 VDC
MC0603B103K160CT	TR	4000	0.01 µF	± 10%	X7R	0603	16 VDC
MC0603B103K250CT	TC		0.01 µF	± 10%	X7R	0603	25 VDC
MC0603B103K250CT	TR	4000	0.01 µF	± 10%	X7R	0603	25 VDC
MC0603B103K500CT	TC		0.01 µF	± 10%	X7R	0603	50 VDC
MC0603B103K500CT	TR	4000	0.01 µF	± 10%	X7R	0603	50 VDC
MC0603B103M160CT	TC		0.01 µF	± 20%	X7R	0603	16 VDC
MC0603B103M250CT	TC		0.01 µF	± 20%	X7R	0603	25 VDC
MC0603B103M500CT	TC		0.01 µF	± 20%	X7R	0603	50 VDC
MC0603B104K160CT	TR	4000	0.01 µF	± 10%	X7R	0603	16 VDC
MC0603B104K160CT	TC		0.01 µF	± 10%	X7R	0603	16 VDC
MC0603B104K250CT	TC		0.01 µF	± 10%	X7R	0603	25 VDC
MC0603B104K250CT	TR	4000	0.01 µF	± 10%	X7R	0603	25 VDC
MC0603B104K500CT	TC		0.01 µF	± 10%	X7R	0603	50 VDC
MC0603B104K500CT	TR	4000	0.01 µF	± 10%	X7R	0603	50 VDC
MC0603B104M160CT	TC		0.01 µF	± 20%	X7R	0603	16 VDC
MC0603B104M250CT	TC		0.01 µF	± 20%	X7R	0603	25 VDC
MC0603B104M500CT	TC		0.01 µF	± 20%	X7R	0603	50 VDC
MC0603B122K500CT	TC		1200 pF	± 10%	X7R	0603	50 VDC
MC0603B122K500CT	TR	4000	1200 pF	± 10%	X7R	0603	50 VDC
MC0603B123K160CT	TC		0.012 µF	± 10%	X7R	0603	16 VDC
MC0603B123K160CT	TR	4000	0.012 µF	± 10%	X7R	0603	16 VDC
MC0603B123K250CT	TC		0.012 µF	± 10%	X7R	0603	25 VDC
MC0603B123K250CT	TR	4000	0.012 µF	± 10%	X7R	0603	25 VDC
MC0603B123K500CT	TC		0.012 µF	± 10%	X7R	0603	50 VDC
MC0603B123K500CT	TR	4000	0.012 µF	± 10%	X7R	0603	50 VDC
MC0603B123K500CT	TC		1500 pF	± 10%	X7R	0603	50 VDC
MC0603B123K500CT	TR	4000	1500 pF	± 10%	X7R	0603	50 VDC
MC0603B123M500CT	TC		1500 pF	± 20%	X7R	0603	50 VDC
MC0603B153K160CT	TC		0.15 µF	± 10%	X7R	0603	16 VDC
MC0603B153K160CT	TR	4000	0.15 µF	± 10%	X7R	0603	16 VDC
MC0603B153K250CT	TC		0.15 µF	± 10%	X7R	0603	25 VDC
MC0603B153K250CT	TR	4000	0.15 µF	± 10%	X7R	0603	25 VDC
MC0603B153K500CT	TC		0.15 µF	± 10%	X7R	0603	50 VDC

Manufacturers part number	Sell Unit of Measure	Reel Quantity	Capacitance	Capacitance Tolerance	Dielectric Characteristic	Package/Case	Voltage Rating
MC0603B153K500CT	TR	4000	0.15 µF	± 10%	X7R	0603	50 VDC
MC0603B153M160CT	TC		0.15 µF	± 20%	X7R	0603	16 VDC
MC0603B153M250CT	TC		0.15 µF	± 20%	X7R	0603	25 VDC
MC0603B153M500CT	TC		0.15 µF	± 20%	X7R	0603	50 VDC
MC0603B182K500CT	TC		1800 pF	± 10%	X7R	0603	50 VDC
MC0603B182K500CT	TR	4000	1800 pF	± 10%	X7R	0603	50 VDC
MC0603B183K160CT	TC		0.018 µF	± 10%	X7R	0603	16 VDC
MC0603B183K160CT	TR	4000	0.018 µF	± 10%	X7R	0603	16 VDC
MC0603B183K250CT	TC		0.018 µF	± 10%	X7R	0603	25 VDC
MC0603B183K250CT	TR	4000	0.018 µF	± 10%	X7R	0603	25 VDC
MC0603B183K500CT	TC		0.018 µF	± 10%	X7R	0603	50 VDC
MC0603B183K500CT	TR	4000	0.018 µF	± 10%	X7R	0603	50 VDC
MC0603B221K101CT	TC		220 pF	± 10%	X7R	0603	100 VDC
MC0603B221K101CT	TR	4000	220 pF	± 10%	X7R	0603	100 VDC
MC0603B221K500CT	TC		220 pF	± 10%	X7R	0603	50 VDC
MC0603B221K500CT	TR	4000	220 pF	± 10%	X7R	0603	50 VDC
MC0603B221M101CT	TC		220 pF	± 20%	X7R	0603	100 VDC
MC0603B222K500CT	TR	4000	2200 pF	± 10%	X7R	0603	50 VDC
MC0603B222K500CT	TC		2200 pF	± 10%	X7R	0603	50 VDC
MC0603B222M500CT	TC		2200 pF	± 20%	X7R	0603	50 VDC
MC0603B223K160CT	TC		0.022 µF	± 10%	X7R	0603	16 VDC
MC0603B223K160CT	TR	4000	0.022 µF	± 10%	X7R	0603	16 VDC
MC0603B223K250CT	TC		0.022 µF	± 10%	X7R	0603	25 VDC
MC0603B223K250CT	TR	4000	0.022 µF	± 10%	X7R	0603	25 VDC
MC0603B223K500CT	TC		0.022 µF	± 10%	X7R	0603	50 VDC
MC0603B223K500CT	TR	4000	0.022 µF	± 10%	X7R	0603	50 VDC
MC0603B223M160CT	TC		0.022 µF	± 20%	X7R	0603	16 VDC
MC0603B223M250CT	TC		0.022 µF	± 20%	X7R	0603	25 VDC
MC0603B223M500CT	TC		0.022 µF	± 20%	X7R	0603	50 VDC
MC0603B271K500CT	TC		270 pF	± 10%	X7R	0603	50 VDC
MC0603B271K500CT	TR	4000	270 pF	± 10%	X7R	0603	50 VDC
MC0603B272K500CT	TC		2700 pF	± 10%	X7R	0603	50 VDC
MC0603B272K500CT	TR	4000	2700 pF	± 10%	X7R	0603	50 VDC
MC0603B273K160CT	TC		0.027 µF	± 10%	X7R	0603	16 VDC
MC0603B273K160CT	TR	4000	0.027 µF	± 10%	X7R	0603	16 VDC
MC0603B273K250CT	TC		0.027 µF	± 10%	X7R	0603	25 VDC
MC0603B273K250CT	TR	4000	0.027 µF	± 10%	X7R	0603	25 VDC
MC0603B273K500CT	TC		0.027 µF	± 10%	X7R	0603	50 VDC
MC0603B273K500CT	TR	4000	0.027 µF	± 10%	X7R	0603	50 VDC
MC0603B331K101CT	TC		330 pF	± 10%	X7R	0603	100 VDC

ALL RIGHTS RESERVED. NO PORTION OF THIS PUBLICATION, WHETHER IN WHOLE OR IN PART CAN BE REPRODUCED WITHOUT THE EXPRESS WRITTEN CONSENT OF SPC TECHNOLOGY.

SIZE
A

DWG. NO.

Ta-1098

ELECTRONIC FILE

Ta-1098.DWG

REV

A

SPC-F005.DWG

DOC. NO. SPC-F005 * Effective: 7/8/02 * DCP No: 1388

SCALE: NTS

U.O.M.: Millimeters

SHEET: 2 OF 5

Manufacturers part number	Sell Unit of Measure	Reel Quantity	Capacitance	Capacitance Tolerance	Dielectric Characteristic	Package/Case	Voltage Rating
MC0603B331K101CT	TR	4000	330 pF	± 10%	X7R	0603	100 VDC
MC0603B331K500CT	TC		330 pF	± 10%	X7R	0603	50 VDC
MC0603B331K500CT	TR	4000	330 pF	± 10%	X7R	0603	50 VDC
MC0603B331M101CT	TC		330 pF	± 20%	X7R	0603	100 VDC
MC0603B332K500CT	TC		3300 pF	± 10%	X7R	0603	50 VDC
MC0603B332K500CT	TR	4000	3300 pF	± 10%	X7R	0603	50 VDC
MC0603B332M500CT	TC		3300 pF	± 20%	X7R	0603	50 VDC
MC0603B333K160CT	TC		0.033 µF	± 10%	X7R	0603	16 VDC
MC0603B333K160CT	TR	4000	0.033 µF	± 10%	X7R	0603	16 VDC
MC0603B333K250CT	TC		0.033 µF	± 10%	X7R	0603	25 VDC
MC0603B333K250CT	TR	4000	0.033 µF	± 10%	X7R	0603	25 VDC
MC0603B333K500CT	TC		0.033 µF	± 10%	X7R	0603	50 VDC
MC0603B333K500CT	TR	4000	0.033 µF	± 10%	X7R	0603	50 VDC
MC0603B333M160CT	TC		0.033 µF	± 20%	X7R	0603	16 VDC
MC0603B333M250CT	TC		0.033 µF	± 20%	X7R	0603	25 VDC
MC0603B333M500CT	TC		0.033 µF	± 20%	X7R	0603	50 VDC
MC0603B391K500CT	TR	4000	390 pF	± 10%	X7R	0603	50 VDC
MC0603B391K500CT	TC		390 pF	± 10%	X7R	0603	50 VDC
MC0603B392K500CT	TC		3900 pF	± 10%	X7R	0603	50 VDC
MC0603B392K500CT	TR	4000	3900 pF	± 10%	X7R	0603	50 VDC
MC0603B393K160CT	TC		0.039 µF	± 10%	X7R	0603	16 VDC
MC0603B393K160CT	TR	4000	0.039 µF	± 10%	X7R	0603	16 VDC
MC0603B393K250CT	TC		0.039 µF	± 10%	X7R	0603	25 VDC
MC0603B393K250CT	TR	4000	0.039 µF	± 10%	X7R	0603	25 VDC
MC0603B393K500CT	TC		0.039 µF	± 10%	X7R	0603	50 VDC
MC0603B393K500CT	TR	4000	0.039 µF	± 10%	X7R	0603	50 VDC
MC0603B471K101CT	TC		470 pF	± 10%	X7R	0603	100 VDC
MC0603B471K101CT	TR	4000	470 pF	± 10%	X7R	0603	100 VDC
MC0603B471K500CT	TC		470 pF	± 10%	X7R	0603	50 VDC
MC0603B471K500CT	TR	4000	470 pF	± 10%	X7R	0603	50 VDC
MC0603B471M101CT	TC		470 pF	± 20%	X7R	0603	100 VDC
MC0603B472K500CT	TC		4700 pF	± 10%	X7R	0603	50 VDC
MC0603B472K500CT	TR	4000	4700 pF	± 10%	X7R	0603	50 VDC
MC0603B472M500CT	TC		4700 pF	± 20%	X7R	0603	50 VDC
MC0603B473K160CT	TC		0.047 µF	± 10%	X7R	0603	16 VDC
MC0603B473K160CT	TR	4000	0.047 µF	± 10%	X7R	0603	16 VDC
MC0603B473K250CT	TC		0.047 µF	± 10%	X7R	0603	25 VDC
MC0603B473K250CT	TR	4000	0.047 µF	± 10%	X7R	0603	25 VDC
MC0603B473K500CT	TR	4000	0.047 µF	± 10%	X7R	0603	50 VDC
MC0603B473K500CT	TC		0.047 µF	± 10%	X7R	0603	50 VDC

Manufacturers part number	Sell Unit of Measure	Reel Quantity	Capacitance	Capacitance Tolerance	Dielectric Characteristic	Package/Case	Voltage Rating
MC0603B473M160CT	TC		0.047 µF	± 20%	X7R	0603	16 VDC
MC0603B473M250CT	TC		0.047 µF	± 20%	X7R	0603	25 VDC
MC0603B473M500CT	TC		0.047 µF	± 20%	X7R	0603	50 VDC
MC0603B561K500CT	TC		560 pF	± 10%	X7R	0603	50 VDC
MC0603B561K500CT	TR	4000	560 pF	± 10%	X7R	0603	50 VDC
MC0603B562K500CT	TC		5600 pF	± 10%	X7R	0603	50 VDC
MC0603B562K500CT	TR	4000	5600 pF	± 10%	X7R	0603	50 VDC
MC0603B563K160CT	TC		0.056 µF	± 10%	X7R	0603	16 VDC
MC0603B563K160CT	TR	4000	0.056 µF	± 10%	X7R	0603	16 VDC
MC0603B563K250CT	TC		0.056 µF	± 10%	X7R	0603	25 VDC
MC0603B563K250CT	TR	4000	0.056 µF	± 10%	X7R	0603	25 VDC
MC0603B563K500CT	TC		0.056 µF	± 10%	X7R	0603	50 VDC
MC0603B681K101CT	TC		680 pF	± 10%	X7R	0603	100 VDC
MC0603B681K101CT	TR	4000	680 pF	± 10%	X7R	0603	100 VDC
MC0603B681K500CT	TC		680 pF	± 10%	X7R	0603	50 VDC
MC0603B681K500CT	TR	4000	680 pF	± 10%	X7R	0603	50 VDC
MC0603B681M101CT	TC		680 pF	± 20%	X7R	0603	100 VDC
MC0603B682K500CT	TC		6800 pF	± 10%	X7R	0603	50 VDC
MC0603B682K500CT	TR	4000	6800 pF	± 10%	X7R	0603	50 VDC
MC0603B682M500CT	TC		6800 pF	± 20%	X7R	0603	50 VDC
MC0603B683K160CT	TC		0.068 µF	± 10%	X7R	0603	16 VDC
MC0603B683K160CT	TR	4000	0.068 µF	± 10%	X7R	0603	16 VDC
MC0603B683K250CT	TC		0.068 µF	± 10%	X7R	0603	25 VDC
MC0603B683K250CT	TR	4000	0.068 µF	± 10%	X7R	0603	25 VDC
MC0603B683K500CT	TC		0.068 µF	± 10%	X7R	0603	50 VDC
MC0603B683M160CT	TC		0.068 µF	± 20%	X7R	0603	16 VDC
MC0603B683M250CT	TC		0.068 µF	± 20%	X7R	0603	25 VDC
MC0603B683M500CT	TC		0.068 µF	± 20%	X7R	0603	50 VDC
MC0603B821K500CT	TC		820 pF	± 10%	X7R	0603	50 VDC
MC0603B821K500CT	TR	4000	820 pF	± 10%	X7R	0603	50 VDC
MC0603B822K500CT	TC		8200 pF	± 10%	X7R	0603	50 VDC
MC0603B822K500CT	TR	4000	8200 pF	± 10%	X7R	0603	50 VDC
MC0603B823K160CT	TC		0.082 µF	± 10%	X7R	0603	16 VDC
MC0603B823K160CT	TR	4000	0.082 µF	± 10%	X7R	0603	16 VDC
MC0603B823K250CT	TC		0.082 µF	± 10%	X7R	0603	25 VDC
MC0603B823K250CT	TR	4000	0.082 µF	± 10%	X7R	0603	25 VDC
MC0603B823K500CT	TC		0.082 µF	± 10%	X7R	0603	50 VDC
MC0603F103Z500CT	TC		0.01 µF	+80, -20%	Y5V	0603	50 VDC
MC0603F103Z500CT	TR	4000	0.01 µF	+80, -20%	Y5V	0603	50 VDC
MC0603F104Z160CT	TC		0.01 µF	+80, -20%	Y5V	0603	16 VDC

ALL RIGHTS RESERVED. NO PORTION OF THIS PUBLICATION, WHETHER IN WHOLE OR IN PART CAN BE REPRODUCED WITHOUT THE EXPRESS WRITTEN CONSENT OF SPC TECHNOLOGY.

SIZE
A

DWG. NO.

Ta-1098

ELECTRONIC FILE

Ta-1098.DWG

REV

A

SPC-F005.DWG

DOC. NO. SPC-F005 * Effective: 7/8/02 * DCP No: 1388

SCALE: NTS

U.O.M.: Millimeters

SHEET: 3 OF 5

Manufacturers part number	Sell Unit of Measure	Reel Quantity	Capacitance	Capacitance Tolerance	Dielectric Characteristic	Package/Case	Voltage Rating
MC0603F104Z160CT	TR	4000	0.01 µF	+80, -20%	Y5V	0603	16 VDC
MC0603F104Z250CT	TC		0.01 µF	+80, -20%	Y5V	0603	25 VDC
MC0603F104Z250CT	TR	4000	0.01 µF	+80, -20%	Y5V	0603	25 VDC
MC0603F104Z500CT	TC		0.01 µF	+80, -20%	Y5V	0603	50 VDC
MC0603F104Z500CT	TR	4000	0.01 µF	+80, -20%	Y5V	0603	50 VDC
MC0603F105Z250CT	TR	4000	1 µF	+80, -20%	Y5V	0603	25 VDC
MC0603F105Z250CT	TC		1 µF	+80, -20%	Y5V	0603	25 VDC
MC0603F153Z500CT	TR	4000	0.15 µF	+80, -20%	Y5V	0603	50 VDC
MC0603F153Z500CT	TC		0.15 µF	+80, -20%	Y5V	0603	50 VDC
MC0603F154Z160CT	TC		0.15 µF	+80, -20%	Y5V	0603	16 VDC
MC0603F154Z160CT	TR	4000	0.15 µF	+80, -20%	Y5V	0603	16 VDC
MC0603F223Z500CT	TC		0.022 µF	+80, -20%	Y5V	0603	50 VDC
MC0603F223Z500CT	TR	4000	0.022 µF	+80, -20%	Y5V	0603	50 VDC
MC0603F224Z160CT	TC		0.22 µF	+80, -20%	Y5V	0603	16 VDC
MC0603F224Z160CT	TR	4000	0.22 µF	+80, -20%	Y5V	0603	16 VDC
MC0603F333Z500CT	TC		0.033 µF	+80, -20%	Y5V	0603	50 VDC
MC0603F333Z500CT	TR	4000	0.033 µF	+80, -20%	Y5V	0603	50 VDC
MC0603F334Z160CT	TC		0.33 µF	+80, -20%	Y5V	0603	16 VDC
MC0603F334Z160CT	TR	4000	0.33 µF	+80, -20%	Y5V	0603	16 VDC
MC0603F473Z500CT	TC		0.047 µF	+80, -20%	Y5V	0603	50 VDC
MC0603F473Z500CT	TR	4000	0.047 µF	+80, -20%	Y5V	0603	50 VDC
MC0603F474Z160CT	TC		0.47 µF	+80, -20%	Y5V	0603	16 VDC
MC0603F474Z160CT	TR	4000	0.47 µF	+80, -20%	Y5V	0603	16 VDC
MC0603F683Z250CT	TC		0.068 µF	+80, -20%	Y5V	0603	25 VDC
MC0603F683Z250CT	TR	4000	0.068 µF	+80, -20%	Y5V	0603	25 VDC
MC0603F683Z500CT	TC		0.068 µF	+80, -20%	Y5V	0603	50 VDC
MC0603F683Z500CT	TR	4000	0.068 µF	+80, -20%	Y5V	0603	50 VDC
MC0603F684Z100CT	TC		0.68 µF	+80, -20%	Y5V	0603	10 VDC
MC0603F684Z100CT	TR	4000	0.68 µF	+80, -20%	Y5V	0603	10 VDC
MC0603N0R5C500LT	TC		0.5 pF	± 0.25pF	NP0	0603	50 VDC
MC0603N0R5C500LT	TR	4000	0.5 pF	± 0.25pF	NP0	0603	50 VDC
MC0603N100D500CT	TC		10 pF	± 0.5pF	NP0	0603	50 VDC
MC0603N100D500CT	TR	4000	10 pF	± 0.5pF	NP0	0603	50 VDC
MC0603N100F500CT	TC		10 pF	± 1%	NP0	0603	50 VDC
MC0603N101J101CT	TC		100 pF	± 5%	NP0	0603	100 VDC
MC0603N101J101CT	TR	4000	100 pF	± 5%	NP0	0603	100 VDC
MC0603N101J500CT	TC		100 pF	± 5%	NP0	0603	50 VDC
MC0603N101J500CT	TR	4000	100 pF	± 5%	NP0	0603	50 VDC
MC0603N101K101CT	TC		100 pF	± 10%	NP0	0603	100 VDC
MC0603N101K500CT	TC		100 pF	± 10%	NP0	0603	50 VDC

Manufacturers part number	Sell Unit of Measure	Reel Quantity	Capacitance	Capacitance Tolerance	Dielectric Characteristic	Package/Case	Voltage Rating
MC0603N102J500CT	TC		1000 pF	± 5%	NP0	0603	50 VDC
MC0603N102J500CT	TR	4000	1000 pF	± 5%	NP0	0603	50 VDC
MC0603N102K500CT	TC		1000 pF	± 10%	NP0	0603	50 VDC
MC0603N120J500CT	TC		12 pF	± 5%	NP0	0603	50 VDC
MC0603N120J500CT	TR	4000	12 pF	± 5%	NP0	0603	50 VDC
MC0603N120K500CT	TC		12 pF	± 10%	NP0	0603	50 VDC
MC0603N121J500CT	TC		120 pF	± 5%	NP0	0603	50 VDC
MC0603N121J500CT	TR	4000	120 pF	± 5%	NP0	0603	50 VDC
MC0603N121K500CT	TC		120 pF	± 10%	NP0	0603	50 VDC
MC0603N150J101CT	TC		15 pF	± 5%	NP0	0603	100 VDC
MC0603N150J101CT	TR	4000	15 pF	± 5%	NP0	0603	100 VDC
MC0603N150J500CT	TC		15 pF	± 5%	NP0	0603	50 VDC
MC0603N150J500CT	TR	4000	15 pF	± 5%	NP0	0603	50 VDC
MC0603N150K101CT	TC		15 pF	± 10%	NP0	0603	100 VDC
MC0603N150K500CT	TC		15 pF	± 10%	NP0	0603	50 VDC
MC0603N151J500CT	TC		150 pF	± 5%	NP0	0603	50 VDC
MC0603N151J500CT	TR	4000	150 pF	± 5%	NP0	0603	50 VDC
MC0603N151K500CT	TC		150 pF	± 10%	NP0	0603	50 VDC
MC0603N180J500CT	TC		18 pF	± 5%	NP0	0603	50 VDC
MC0603N180J500CT	TR	4000	18 pF	± 5%	NP0	0603	50 VDC
MC0603N180K500CT	TC		18 pF	± 10%	NP0	0603	50 VDC
MC0603N181J500CT	TC		180 pF	± 5%	NP0	0603	50 VDC
MC0603N181J500CT	TR	4000	180 pF	± 5%	NP0	0603	50 VDC
MC0603N181K500CT	TC		180 pF	± 10%	NP0	0603	50 VDC
MC0603N1R0C500CT	TC		1 pF	± 0.25pF	NP0	0603	50 VDC
MC0603N1R0C500CT	TR	4000	1 pF	± 0.25pF	NP0	0603	50 VDC
MC0603N1R0D500CT	TC		1 pF	± 0.5pF	NP0	0603	50 VDC
MC0603N1R5C500CT	TC		1.5 pF	± 0.25pF	NP0	0603	50 VDC
MC0603N1R5C500CT	TR	4000	1.5 pF	± 0.25pF	NP0	0603	50 VDC
MC0603N1R5D500CT	TC		1.5 pF	± 0.5pF	NP0	0603	50 VDC
MC0603N220J101CT	TC		22 pF	± 5%	NP0	0603	100 VDC
MC0603N220J101CT	TR	4000	22 pF	± 5%	NP0	0603	100 VDC
MC0603N220J500CT	TC		22 pF	± 5%	NP0	0603	50 VDC
MC0603N220J500CT	TR	4000	22 pF	± 5%	NP0	0603	50 VDC
MC0603N220K101CT	TC		22 pF	± 10%	NP0	0603	100 VDC
MC0603N220K500CT	TC		22 pF	± 10%	NP0	0603	50 VDC
MC0603N221J500CT	TC		220 pF	± 5%	NP0	0603	50 VDC
MC0603N221J500CT	TR	4000	220 pF	± 5%	NP0	0603	50 VDC
MC0603N221K500CT	TC		220 pF	± 10%	NP0	0603	50 VDC
MC0603N270J500CT	TC		27 pF	± 5%	NP0	0603	50 VDC

ALL RIGHTS RESERVED. NO PORTION OF THIS PUBLICATION, WHETHER IN WHOLE OR IN PART CAN BE REPRODUCED WITHOUT THE EXPRESS WRITTEN CONSENT OF SPC TECHNOLOGY.

SIZE
A

DWG. NO.

Ta-1098

ELECTRONIC FILE

Ta-1098.DWG

REV

A

SPC-F005.DWG

DOC. NO. SPC-F005 * Effective: 7/8/02 * DCP No: 1388

SCALE: NTS

U.O.M.: Millimeters

SHEET: 4 OF 5

Manufacturers part number	Sell Unit of Measure	Reel Quantity	Capacitance	Capacitance Tolerance	Dielectric Characteristic	Package/Case	Voltage Rating
MC0603N270J500CT	TR	4000	27 pF	± 5%	NP0	0603	50 VDC
MC0603N270K500CT	TC		27 pF	± 10%	NP0	0603	50 VDC
MC0603N271J500CT	TC		270 pF	± 5%	NP0	0603	50 VDC
MC0603N271J500CT	TR	4000	270 pF	± 5%	NP0	0603	50 VDC
MC0603N271K500CT	TC		270 pF	± 10%	NP0	0603	50 VDC
MC0603N2R0C500CT	TC		2 pF	± 0.25pF	NP0	0603	50 VDC
MC0603N2R0C500CT	TR	4000	2 pF	± 0.25pF	NP0	0603	50 VDC
MC0603N2R0D500CT	TC		2 pF	± 0.5pF	NP0	0603	50 VDC
MC0603N330J101CT	TC		33 pF	± 5%	NP0	0603	100 VDC
MC0603N330J101CT	TR	4000	33 pF	± 5%	NP0	0603	100 VDC
MC0603N330J500CT	TC		33 pF	± 5%	NP0	0603	50 VDC
MC0603N330J500CT	TR	4000	33 pF	± 5%	NP0	0603	50 VDC
MC0603N330K101CT	TC		33 pF	± 10%	NP0	0603	100 VDC
MC0603N330K500CT	TC		33 pF	± 10%	NP0	0603	50 VDC
MC0603N331J500CT	TC		330 pF	± 5%	NP0	0603	50 VDC
MC0603N331J500CT	TR	4000	330 pF	± 5%	NP0	0603	50 VDC
MC0603N331K500CT	TC		330 pF	± 10%	NP0	0603	50 VDC
MC0603N390J500CT	TC		39 pF	± 5%	NP0	0603	50 VDC
MC0603N390J500CT	TR	4000	39 pF	± 5%	NP0	0603	50 VDC
MC0603N390K500CT	TC		39 pF	± 10%	NP0	0603	50 VDC
MC0603N391J500CT	TC		390 pF	± 5%	NP0	0603	50 VDC
MC0603N391J500CT	TR	4000	390 pF	± 5%	NP0	0603	50 VDC
MC0603N391K500CT	TC		390 pF	± 10%	NP0	0603	50 VDC
MC0603N3R0C500CT	TR	4000	3 pF	± 0.25pF	NP0	0603	50 VDC
MC0603N3R0C500CT	TC		3 pF	± 0.25pF	NP0	0603	50 VDC
MC0603N3R0D500CT	TC		3 pF	± 0.5pF	NP0	0603	50 VDC
MC0603N470J101CT	TC		47 pF	± 5%	NP0	0603	100 VDC
MC0603N470J101CT	TR	4000	47 pF	± 5%	NP0	0603	100 VDC
MC0603N470J500CT	TC		47 pF	± 5%	NP0	0603	50 VDC
MC0603N470J500CT	TR	4000	47 pF	± 5%	NP0	0603	50 VDC
MC0603N470K101CT	TC		47 pF	± 10%	NP0	0603	100 VDC
MC0603N470K500CT	TC		47 pF	± 10%	NP0	0603	50 VDC
MC0603N471J500CT	TR	4000	470 pF	± 5%	NP0	0603	50 VDC
MC0603N471J500CT	TC		470 pF	± 5%	NP0	0603	50 VDC

Manufacturers part number	Sell Unit of Measure	Reel Quantity	Capacitance	Capacitance Tolerance	Dielectric Characteristic	Package/Case	Voltage Rating
MC0603N471K500CT	TC		470 pF	± 10%	NP0	0603	50 VDC
MC0603N4R0C500CT	TC		4 pF	± 0.25pF	NP0	0603	50 VDC
MC0603N4R0C500CT	TR	4000	4 pF	± 0.25pF	NP0	0603	50 VDC
MC0603N4R0D500CT	TC		4 pF	± 0.5pF	NP0	0603	50 VDC
MC0603N560J500CT	TC		56 pF	± 5%	NP0	0603	50 VDC
MC0603N560J500CT	TR	4000	56 pF	± 5%	NP0	0603	50 VDC
MC0603N560K500CT	TC		56 pF	± 10%	NP0	0603	50 VDC
MC0603N561J500CT	TC		560 pF	± 5%	NP0	0603	50 VDC
MC0603N561J500CT	TR	4000	560 pF	± 5%	NP0	0603	50 VDC
MC0603N561K500CT	TC		560 pF	± 10%	NP0	0603	50 VDC
MC0603N5R0C500CT	TC		5 pF	± 0.25pF	NP0	0603	50 VDC
MC0603N5R0C500CT	TR	4000	5 pF	± 0.25pF	NP0	0603	50 VDC
MC0603N5R0D500CT	TC		5 pF	± 0.5pF	NP0	0603	50 VDC
MC0603N680J101CT	TC		68 pF	± 5%	NP0	0603	100 VDC
MC0603N680J101CT	TR	4000	68 pF	± 5%	NP0	0603	100 VDC
MC0603N680J500CT	TC		68 pF	± 5%	NP0	0603	50 VDC
MC0603N680J500CT	TR	4000	68 pF	± 5%	NP0	0603	50 VDC
MC0603N680K101CT	TC		68 pF	± 10%	NP0	0603	100 VDC
MC0603N680K500CT	TC		68 pF	± 10%	NP0	0603	50 VDC
MC0603N681J500CT	TC		680 pF	± 5%	NP0	0603	50 VDC
MC0603N681J500CT	TR	4000	680 pF	± 5%	NP0	0603	50 VDC
MC0603N681K500CT	TC		680 pF	± 10%	NP0	0603	50 VDC
MC0603N7R0D500CT	TC		7 pF	± 0.5pF	NP0	0603	50 VDC
MC0603N7R0D500CT	TR	4000	7 pF	± 0.5pF	NP0	0603	50 VDC
MC0603N820J500CT	TC		82 pF	± 5%	NP0	0603	50 VDC
MC0603N820J500CT	TR	4000	82 pF	± 5%	NP0	0603	50 VDC
MC0603N820K500CT	TC		82 pF	± 10%	NP0	0603	50 VDC
MC0603N821J500CT	TC		820 pF	± 5%	NP0	0603	50 VDC
MC0603N821J500CT	TR	4000	820 pF	± 5%	NP0	0603	50 VDC
MC0603N821K500CT	TC		820 pF	± 10%	NP0	0603	50 VDC
MC0603N8R0D500CT	TC		8 pF	± 0.5pF	NP0	0603	50 VDC
MC0603N8R0D500CT	TR	4000	8 pF	± 0.5pF	NP0	0603	50 VDC
MC0603N9R0D500CT	TR	4000	9 pF	± 0.5pF	NP0	0603	50 VDC
MC0603N9R0D500CT	TC		9 pF	± 0.5pF	NP0	0603	50 VDC

ALL RIGHTS RESERVED. NO PORTION OF THIS PUBLICATION, WHETHER IN WHOLE OR IN PART CAN BE REPRODUCED WITHOUT THE EXPRESS WRITTEN CONSENT OF SPC TECHNOLOGY.

SIZE
A

DWG. NO.

Ta-1098

ELECTRONIC FILE

Ta-1098.DWG

REV

A

SPC-F005.DWG

DOC. NO. SPC-F005 * Effective: 7/8/02 * DCP No: 1388

SCALE: NTS

U.O.M.: Millimeters

SHEET: 5 OF 5