

specifications

Raised panel labels shall be die-cut, microcellular foam with a polyester printable surface and high-tack adhesive. The polyester surface shall readily accept thermal transfer print. Product shall be resistant to scratching, smearing, and rubbing and meet print performance requirements of UL969 and MIL-STD-202G. Optional clear overlamine shall provide additional print protection in harsh environments.



technical information

Material:	High-tack microcellular foam with thermal transfer printable polyester surface (.03" thick)		
Print method:	Thermal transfer		
High service temperature:	1000 hours at 212°F (100°C), no visible change observed		
Low service temperature:	1000 hours at -40°F (-40°C), no visible change observed		
Minimum application temperature:	50°F (10°C)		
Adhesive performance:	Tested per ASTM D1000		
		20 minute dwell	24 hour dwell
	Stainless steel	100 oz./inch	150 oz./inch
	Powder-coated	100 oz./inch	150 oz./inch
	ABS	100 oz./inch	150 oz./inch
Print performance:	Product meets print performance of MIL-STD-202G, method 215K, solution A, B and D		
Recommended ribbon:	TDP43MY series printer – black resin RMR4BL-A and white resin RMR4WH		
UL recognized:	File No. MH14979		
RoHS compliance:	Material is RoHS compliant per European Directive 2002/95/EC on the Restriction of Hazardous Substances (RoHS)		

key features and benefits

Raised thermal transfer printable surface	Delivers the look of engraved laminated plates with the convenience of printing on demand
High-tack adhesive	Strong holding power for rough, textured, and powder coated surfaces
Variety of sizes and colors	Flexible and easy to implement for a wide range of applications
Thermal transfer print technology	Provides crisp, clear, and durable legends for your reliable, high performance identification needs
Designed for EASY-MARK™ Labeling Software	Assists in the creation of optimum identifiers and labels enabling the generation of labels quickly, easily and with fewer errors resulting in reduced costs

applications

PANDUIT raised panel labels are designed to meet the control panel and communication infrastructure labeling needs of organizations that would normally use engraved plates. The labels are available in a variety of sizes and colors, ready to print-on-demand using EASY-MARK™ Labeling Software and a TDP43MY thermal transfer desktop printer. The product is designed to have high resistance to

scratches, smearing, and rubbing and meet print performance of UL969 and MIL-STD-202G when printed with RMR4BL-A and RMR4WH resin thermal transfer ribbons. Product solution also has an optional clear overlamine to function in harsh environments. When used in conjunction with EASY-MARK™ Labeling Software, time-savings and reduced errors can be realized when creating legends and text.

www.panduit.com

Part Numbers

Raised panel push button labels:
C120X150APT-22*
C180X180APT-30*
C120X190APT-22*
C240X240APT-30*

Raised panel components labels:
C100X050APT±
C300X250APT±
C200X100APT±
C400X100APT±
C252X030APT
C379X030APT

Raised panel overlamine:
C120X150YK-22
C100X050YK
C120X190YK-22
C200X100YK
C180X180YK-30
C300X250YK
C240X240YK-30
C400X100YK

*Other colors available, replace P with S (Green), W (Red), 8 (Yellow), 0 (Black)
±Other colors available, replace P with M (Silver), S (Green), W (Red), 8 (Yellow), 0 (Black)

Labeling Software

EASY-MARK™ Labeling Software: PROG-EMCD3

CAD-CONNECT™ Labeling Software: PROG-CCCD

Thermal Transfer Desktop Printers

Medium volume 300 DPI: TDP43MY

External Roll Stand Required: TDP43M-RS

Recommended Ribbons

TDP43MY Black resin: RMR4BL-A
White resin: RMR4WH

Raised Panel Labels

Base Part Number	White	Yellow	Green	Red	Black	Silver	Clear‡	Width A	Height B	Print-On Area Height C	Vertical Repeat D	Horizontal Repeat E	Hole Diameter F	Labels Per Row	Std. Pkg. Qty.	Std. Ctn. Qty.
Raised Panel Push Button Labels																
C120X150*	APT-22	A8T-22	AST-22	AWT-22	A0T-22	—	YK-22	1.20" (30.5mm)	1.50" (38.1mm)	.45" (11.3mm)	1.63" (41.3mm)	1.30" (33.0mm)	.87" (22.0mm)	3	500	2000
C120X190*	APT-22	A8T-22	AST-22	AWT-22	A0T-22	—	YK-22	1.20" (30.5mm)	1.90" (48.3mm)	.85" (21.4mm)	2.03" (51.4mm)	1.30" (33.0mm)	.87" (22.0mm)	3	500	2000
C180X180*	APT-30	A8T-30	AST-30	AWT-30	A0T-30	—	YK-30	1.80" (45.7mm)	1.80" (45.7mm)	.36" (9.1mm)	1.93" (48.9mm)	1.90" (48.2mm)	1.18" (30.0mm)	2	500	2000
C240X240*	APT-30	A8T-30	AST-30	AWT-30	A0T-30	—	YK-30	2.40" (61.0mm)	2.40" (61.0mm)	.90" (22.8mm)	2.53" (64.1mm)	N/A	1.18" (30.0mm)	1	500	2000

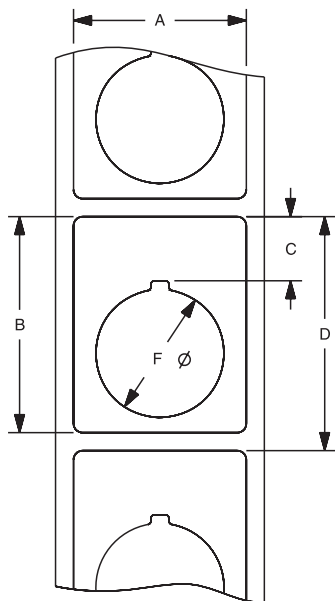
Raised Panel Component Labels

C100X050*	APT	A8T	AST	AWT	A0T	AMT	YK	1.00" (25.4mm)	.50" (12.7mm)	.50" (12.7mm)	.63" (15.9mm)	1.08" (27.3mm)	N/A	3	500	2000
C200X100*	APT	A8T	AST	AWT	A0T	AMT	YK	2.00" (50.8mm)	1.00" (25.4mm)	1.00" (25.4mm)	1.13" (28.6mm)	N/A	N/A	1	500	2000
C300X250*	APT	A8T	AST	AWT	A0T	AMT	YK	3.00" (76.2mm)	2.50" (63.5mm)	2.50" (63.5mm)	2.63" (66.7mm)	N/A	N/A	1	500	2000
C400X100*	APT	A8T	AST	AWT	A0T	AMT	YK	4.00" (101.6mm)	1.00" (25.4mm)	1.00" (25.4mm)	1.13" (28.6mm)	N/A	N/A	1	500	2000
C252X030*	APT	—	—	—	—	—	—	2.52" (64.0mm)	.30" (7.6mm)	.30" (7.6mm)	.43" (10.8mm)	N/A	N/A	1	500	2000
C379X030*	APT	—	—	—	—	—	—	3.79" (96.2mm)	.30" (7.6mm)	.30" (7.6mm)	.43" (10.8mm)	N/A	N/A	1	500	2000

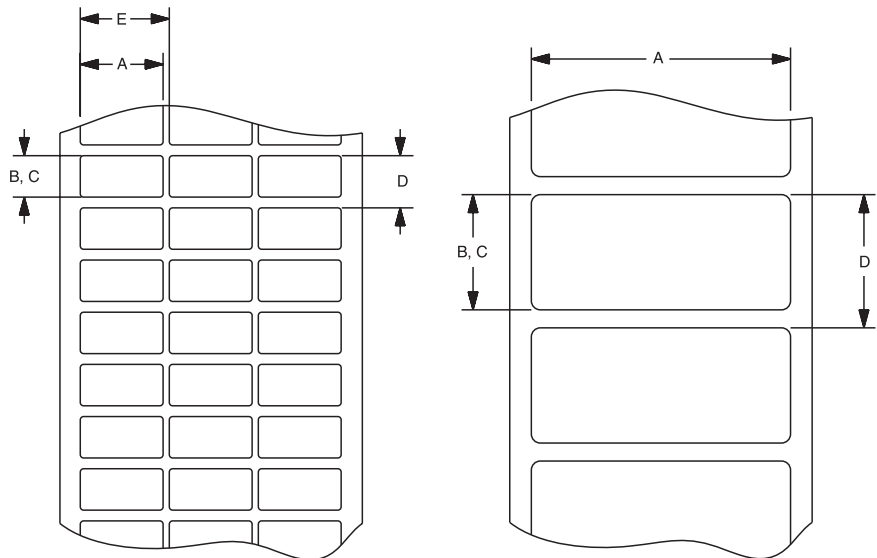
*This is the base part number, add the text listed for the desired color to the end of the base part number (Example = C120X150APT-22 for white color).

‡Clear overlamine labels provide additional print protection in harsh environments.

Raised Panel Push Button Labels



Raised Panel Component Labels



WORLDWIDE SUBSIDIARIES AND SALES OFFICES

PANDUIT CANADA
Markham, Ontario
cs-cdn@panduit.com
Phone: 800.777.3300

PANDUIT EUROPE LTD.
London, UK
cs-emea@panduit.com
Phone: 44.20.8601.7200

PANDUIT SINGAPORE PTE. LTD.
Republic of Singapore
cs-ap@panduit.com
Phone: 65.6305.7575

PANDUIT JAPAN
Tokyo, Japan
cs-japan@panduit.com
Phone: 81.3.6863.6000

PANDUIT LATIN AMERICA
Jalisco, Mexico
cs-la@panduit.com
Phone: 52.333.777.6000

PANDUIT AUSTRALIA PTY. LTD.
Victoria, Australia
cs-aus@panduit.com
Phone: 61.3.9794.9020

For a copy of PANDUIT product warranties, log on to www.panduit.com/warranty



For more information
Visit us at www.panduit.com
Contact Customer Service by email: cs@panduit.com
or by phone: 800-777-3300 and reference IDSP14

©2009 PANDUIT Corp.
ALL RIGHTS RESERVED.
WW-IDSP14
1/2009