

4

3

2

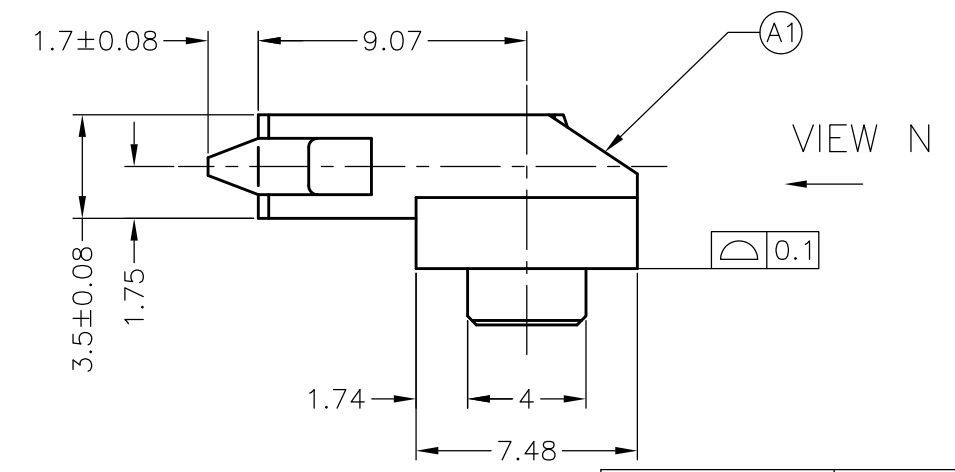
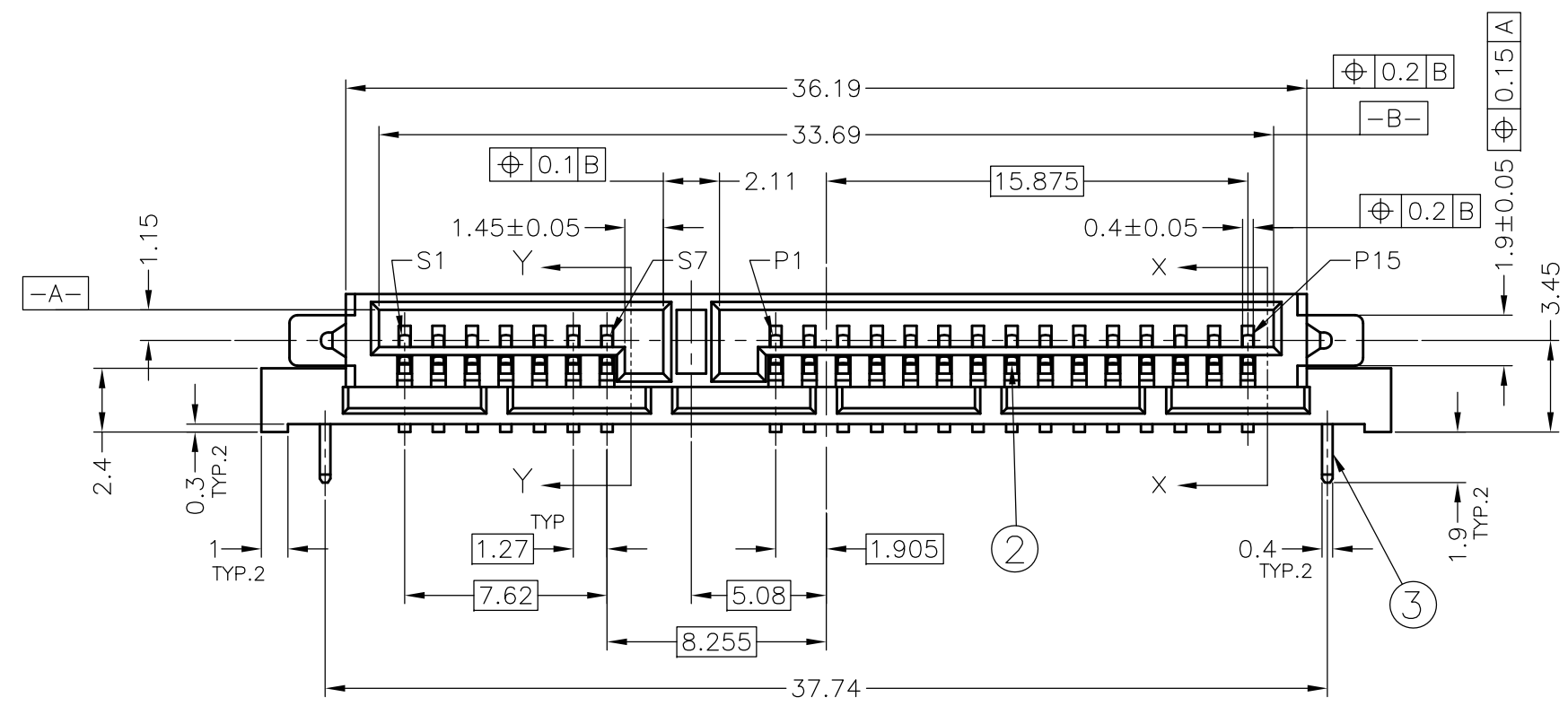
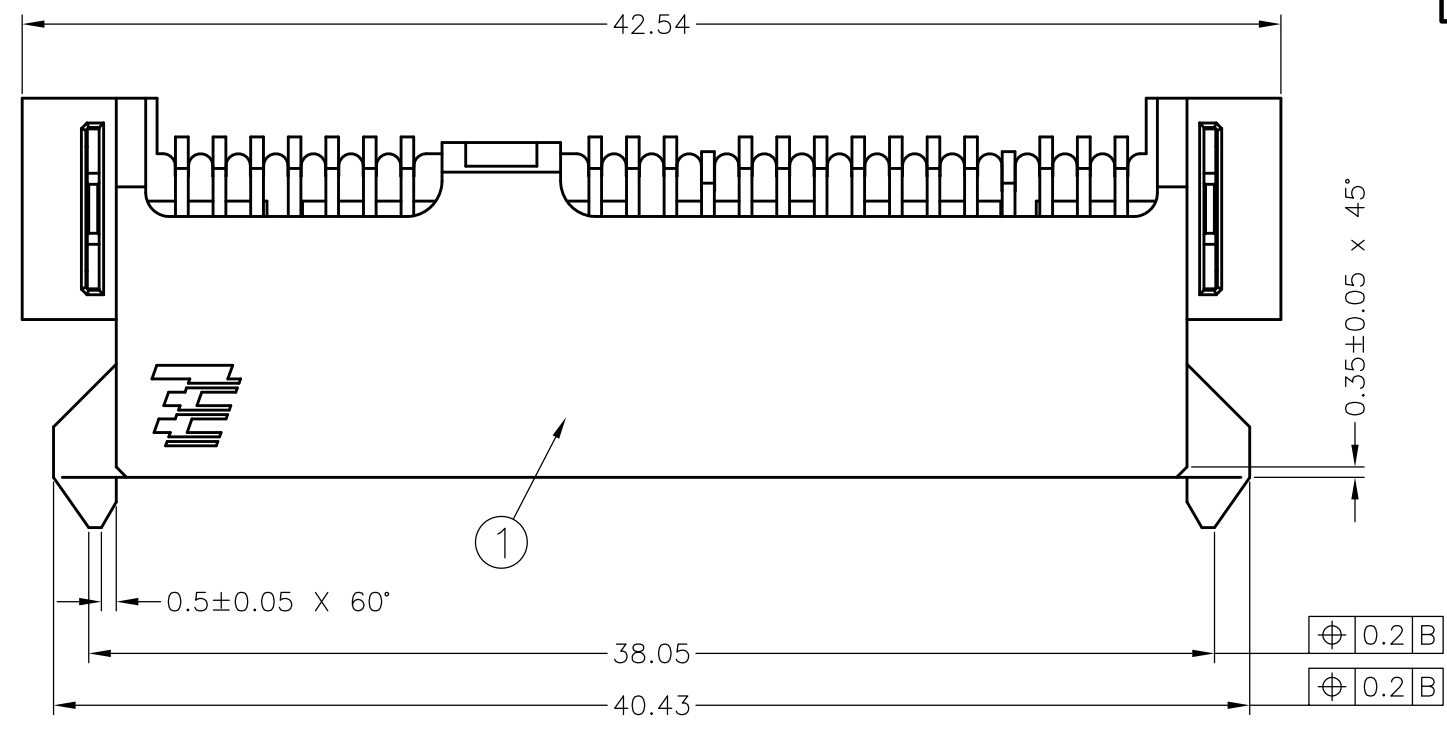
1

THIS DRAWING IS UNPUBLISHED. RELEASED FOR PUBLICATION
 © COPYRIGHT BY TYCO ELECTRONICS CORPORATION. ALL RIGHTS RESERVED.

| LOC | DIST | REVISIONS | | | |
|-----|------|-------------|-------------------------|-----------|----------|
| P | LTR | DESCRIPTION | DATE | DWN | APVD |
| DW | | A1 | REVISED (ECR-10-004449) | 23FEB2010 | V.P. H.K |

2023246-1~-3: AS SHOWN

1. MATERIAL:
 ① HOUSING: HIGH TEMPERATURE THERMOPLASTIC UL94V-0, COLOR:BLACK
 ② CONTACT: COPPER ALLOY
 ③ SOLDER LEG: COPPER ALLOY
2. FINISH:
 CONTACT: (SEE TABLE) GOLD PLATED ON CONTACT AREA, 2.54µm MIN. MATTE-TIN PLATING ON SOLDER TAILS. 1.27µm MIN. NICKEL UNDER PLATING OVER ALL.
 SOLDER LEG: 2.54µm MIN. MATTE-TIN PLATED 1.27µm MIN. NICKET PLATED.



| | |
|-------------|-------------------|
| 2023246-3 | 0.76µm |
| 2023246-2 | 0.30µm |
| 2023246-1 | 0.05µm |
| PART NUMBER | CONTACT Au PLATED |

VIEW M

VIEW N

| | | | | | | | | |
|---|--|------------------|----------|-----------|---|-----------|------------|---------------|
| THIS DRAWING IS A CONTROLLED DOCUMENT. | | DWN | V.PENG | 14NOV2008 | Tyco Electronics Corporation Taipei, Taiwan | | | |
| DIMENSIONS: mm | | CHK | H.KODAMA | 14NOV2008 | | | | |
| TOLERANCES UNLESS OTHERWISE SPECIFIED: 8 PLC ± 1 PLC ± ±0.25 2 PLC ± ±3° 3 PLC ± ± 4 PLC ± ± ANGLES ± ± | | APVD | H.KODAMA | 14NOV2008 | NAME SATA RECEPTACLE R/A SMT TYPE, 3.45MM | | | |
| MATERIAL | | PRODUCT SPEC | | 108-99017 | | | | |
| FINISH | | APPLICATION SPEC | | | SIZE | CAGE CODE | DRAWING NO | RESTRICTED TO |
| | | WEIGHT | | 2.1 gm | A3 | 00779 | 2023246 | |
| | | CUSTOMER DRAWING | | | SCALE | 4:1 | SHEET | 1 OF 4 |
| | | | | | | | REV | A1 |

4

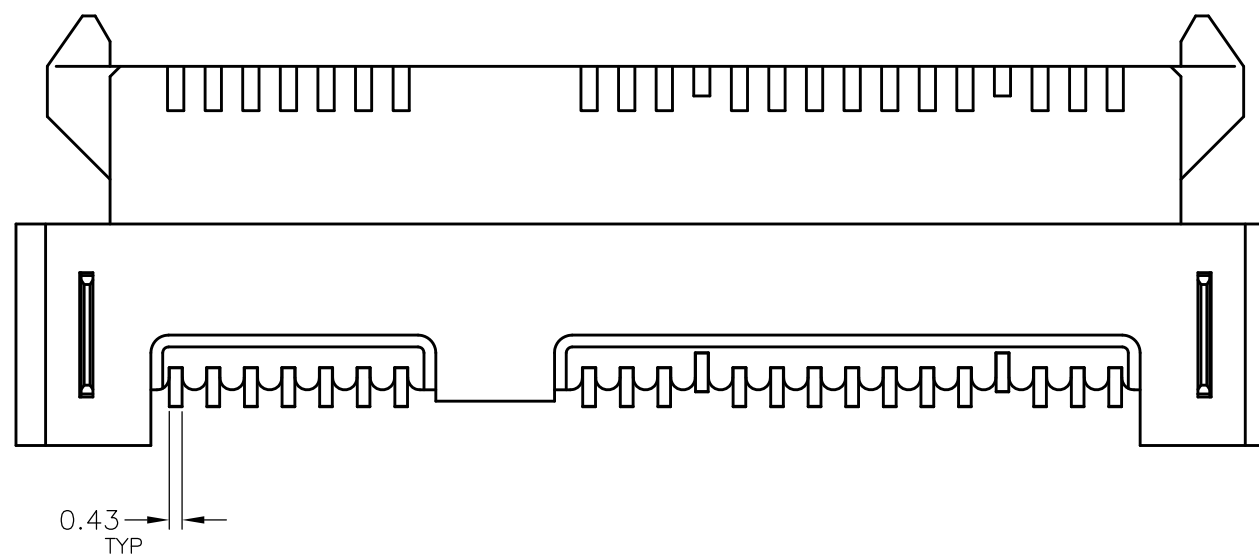
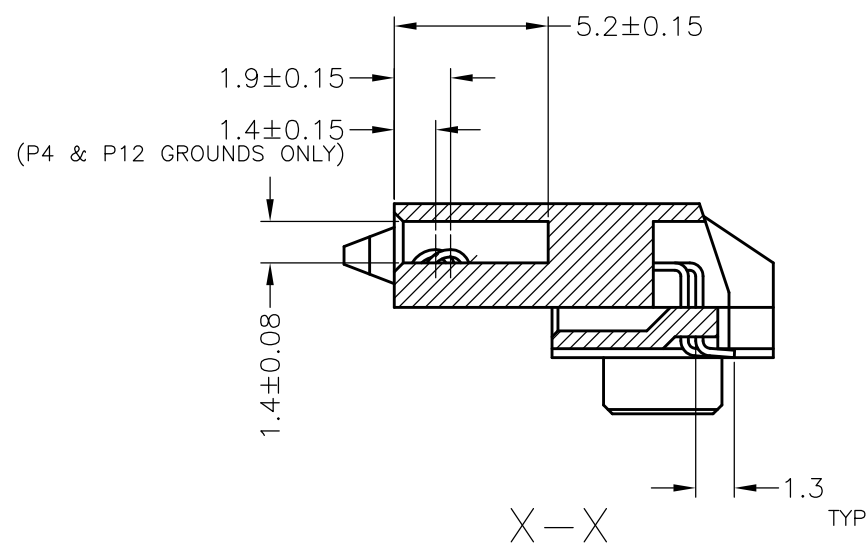
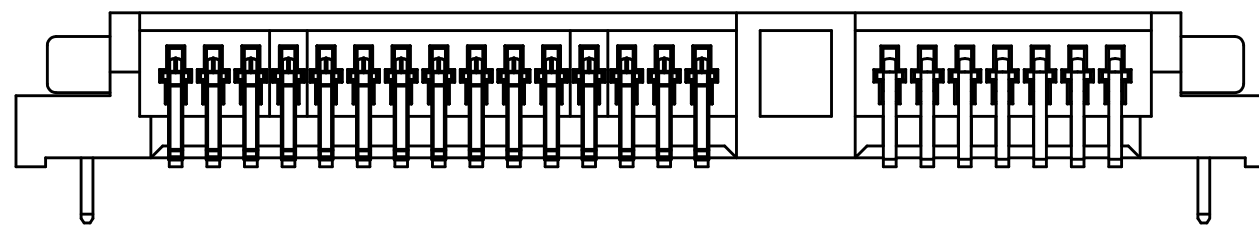
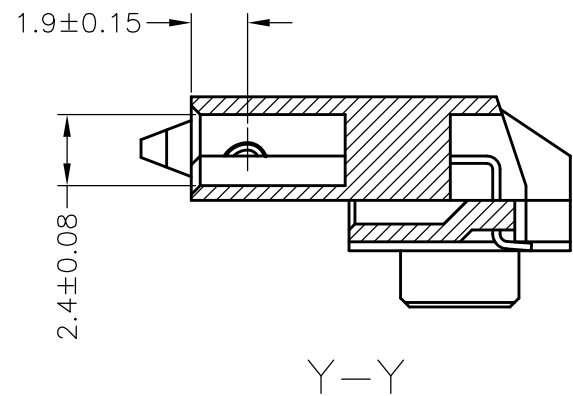
3

2

1

THIS DRAWING IS UNPUBLISHED. RELEASED FOR PUBLICATION
© COPYRIGHT BY TYCO ELECTRONICS CORPORATION. ALL RIGHTS RESERVED.

| | | | | | | | |
|-----------|------|-------------|------|-----|------|-----|------|
| LOC DW | DIST | REVISIONS | | | DATE | DWN | APVD |
| P | LTR | DESCRIPTION | DATE | DWN | APVD | | |
| | | SEE SHEET 1 | | | | | |



| | | | | |
|---|--|------------------|---|-----------------------|
| THIS DRAWING IS A CONTROLLED DOCUMENT. | | DWN | Tyco Electronics Corporation Taipei, Taiwan | |
| DIMENSIONS: mm | | CHK | NAME SATA RECEPTACLE R/A SMT TYPE, 3.45MM | |
| TOLERANCES UNLESS OTHERWISE SPECIFIED: 6 PLC ± 1 PLC ± ±0.25 2 PLC ± ±3° 3 PLC ± ± 4 PLC ± ± ANGLES ± | | APVD | PRODUCT SPEC | |
| MATERIAL | | APPLICATION SPEC | | SIZE A3 |
| FINISH | | WEIGHT | | CAGE CODE 00779 |
| | | CUSTOMER DRAWING | | DRAWING NO 2023246 |
| | | SCALE 4:1 | | RESTRICTED TO |
| | | SHEET 2 OF 4 | | REV A1 |

4

3

2

1

THIS DRAWING IS UNPUBLISHED.

RELEASED FOR PUBLICATION

-, -

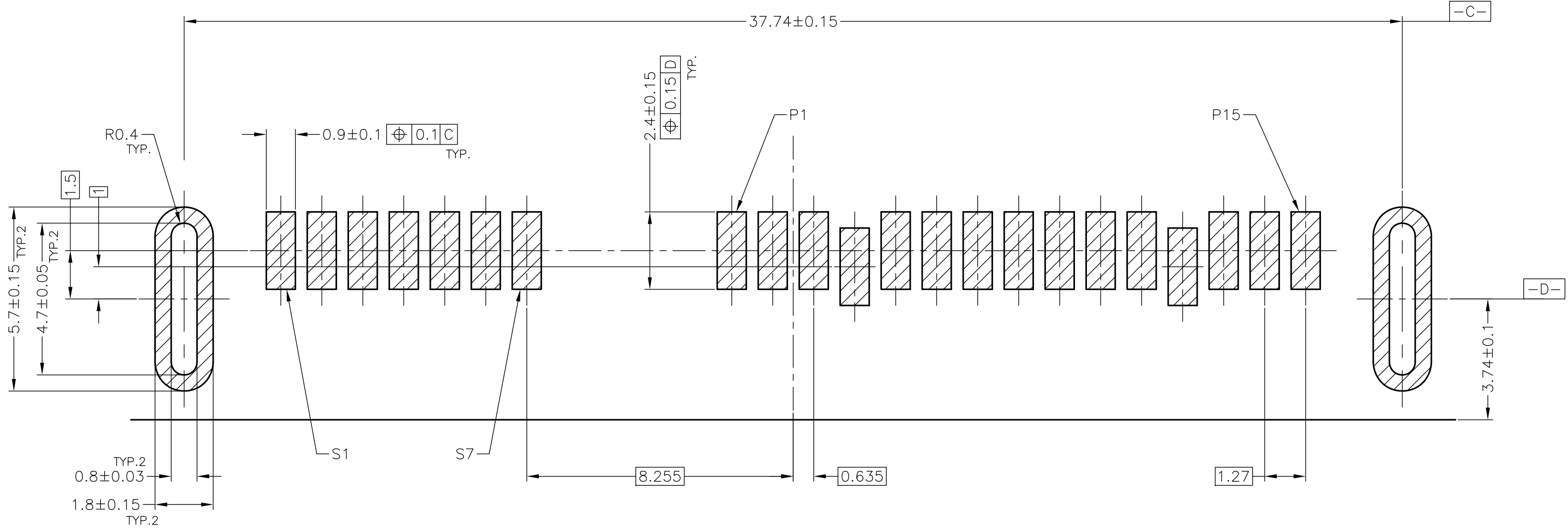
© COPYRIGHT BY TYCO ELECTRONICS CORPORATION. ALL RIGHTS RESERVED.

LOC DW

DIST

REVISIONS

| P | LTR | DESCRIPTION | DATE | DWN | APVD |
|---|-----|-------------|------|-----|------|
| - | - | SEE SHEET 1 | - | - | - |



| | | | | | |
|--|--|---|--|--|--|
| THIS DRAWING IS A CONTROLLED DOCUMENT. | | DWN | | Tyco Electronics Corporation Taipei, Taiwan | |
| DIMENSIONS: mm | | TOLERANCES UNLESS OTHERWISE SPECIFIED: | | NAME | |
| | | 8 PLC ± 1 PLC ± ±0.05 2 PLC ± ±3° 3 PLC ± ± 4 PLC ± ± ANGLES ± ± | | SATA RECEPTACLE R/A SMT TYPE, 3.45MM | |
| MATERIAL | | FINISH | | SIZE CAGE CODE DRAWING NO RESTRICTED TO | |
| | | | | A3 00779 C-2023246 | |
| CUSTOMER DRAWING | | SCALE 8:1 | | SHEET 3 OF 4 REV A1 | |

4

3

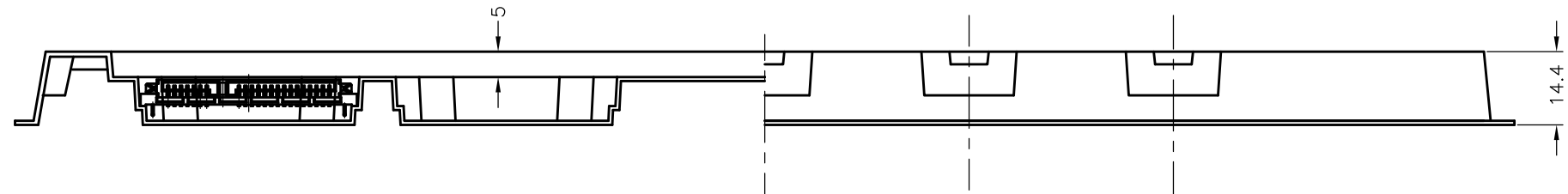
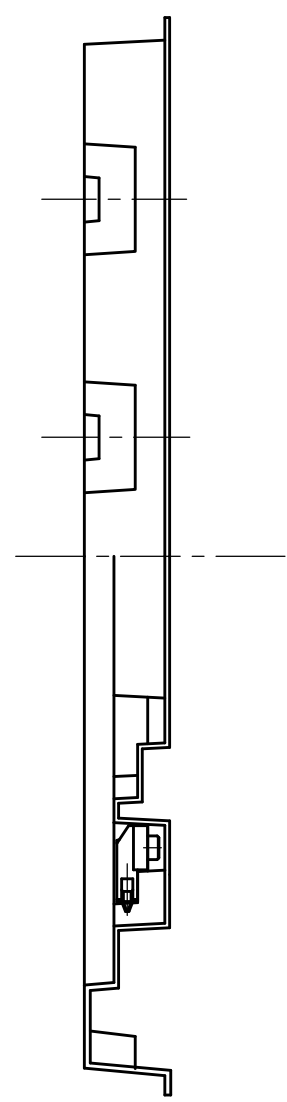
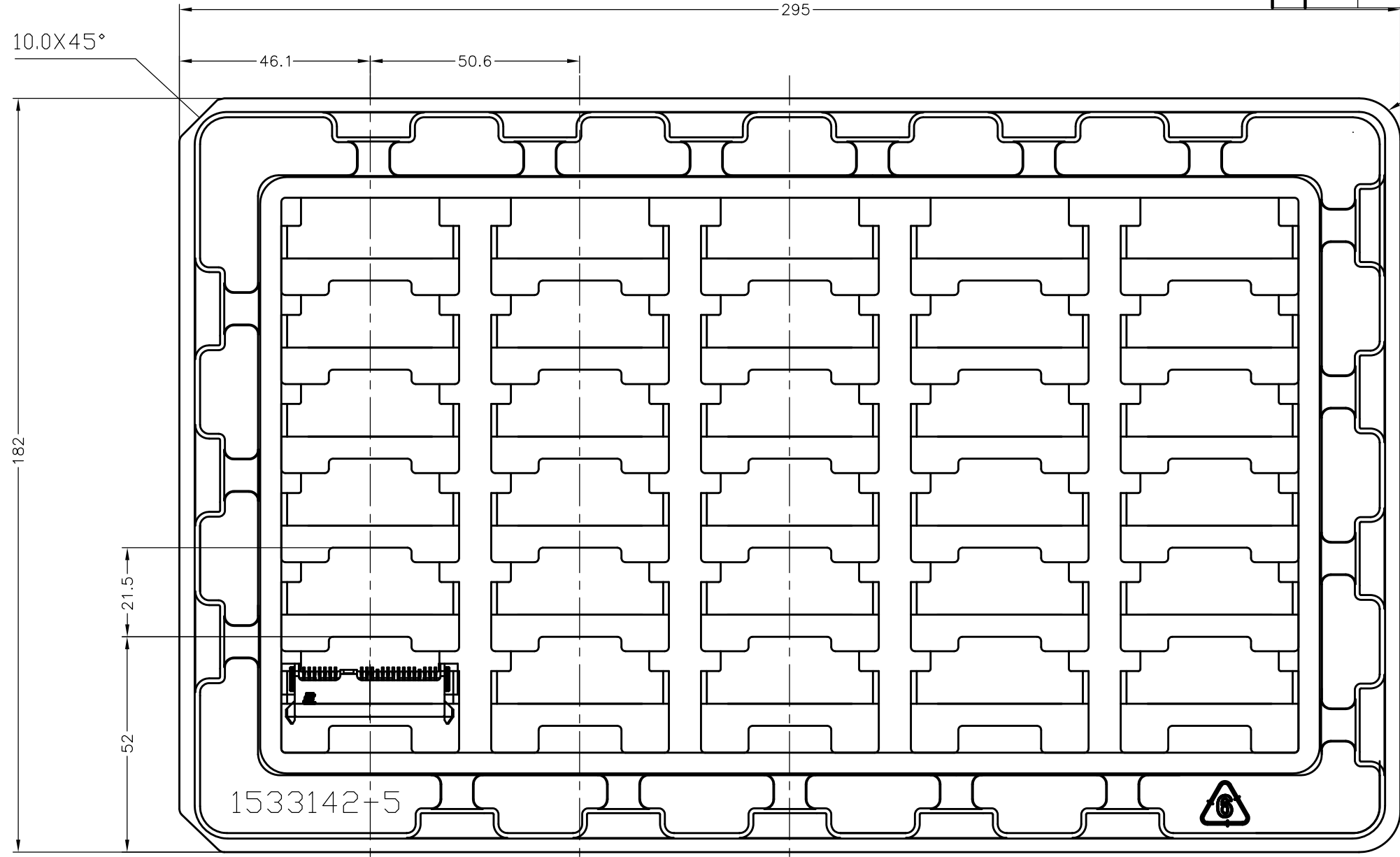
2

1

THIS DRAWING IS UNPUBLISHED. RELEASED FOR PUBLICATION
 © COPYRIGHT BY TYCO ELECTRONICS CORPORATION. ALL RIGHTS RESERVED.

| LOC | DIST | REVISIONS | | | |
|-----|------|-------------|------|-----|------|
| P | LTR | DESCRIPTION | DATE | DWN | APVD |
| | | SEE SHEET 1 | - | - | - |

D
C
B
A



3. QUANTITY: 30 PCS/PER TRAY

| | | | | | |
|--|--|------------------|--|------------------------------|---------------|
| THIS DRAWING IS A CONTROLLED DOCUMENT. | | DWN | | Tyco Electronics Corporation | |
| DIMENSIONS: mm | | CHK | | Taipei, Taiwan | |
| TOLERANCES UNLESS OTHERWISE SPECIFIED: | | APVD | | NAME | |
| <ul style="list-style-type: none"> 6 PLC ± 1 PLC ±- 2 PLC ±- 3 PLC ±- 4 PLC ±- ANGLES ±- FINISH | | PRODUCT SPEC | | SATA RECEPTACLE | |
| MATERIAL | | APPLICATION SPEC | | R/A SMT TYPE, 3.45MM | |
| | | WEIGHT | | SIZE | RESTRICTED TO |
| | | CUSTOMER DRAWING | | A3 | |
| | | | | CAGE CODE | DRAWING NO |
| | | | | 00779 | 2023246 |
| | | | | SCALE | SHEET |
| | | | | 4:1 | 4 OF 4 |
| | | | | REV | A1 |

Mouser Electronics

Authorized Distributor

Click to View Pricing, Inventory, Delivery & Lifecycle Information:

[TE Connectivity:](#)

[2023246-2](#)