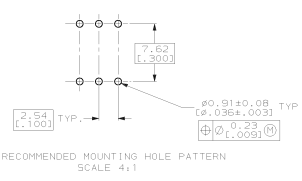
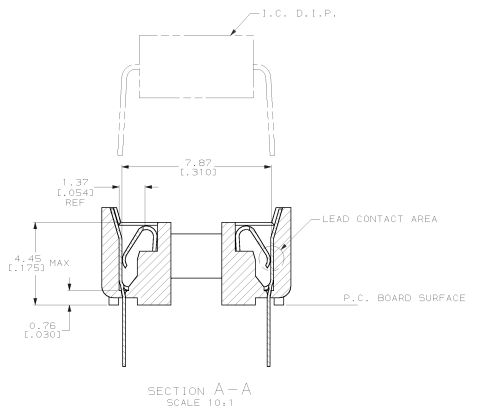
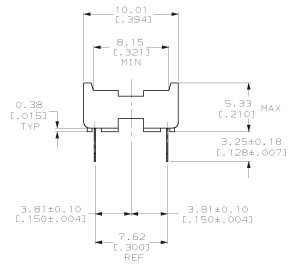
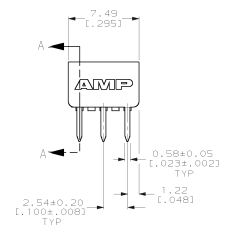
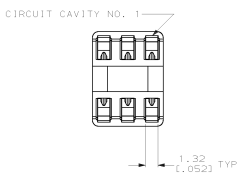


REV. NO.		DATE		DESCRIPTION	
1	00			REV PER	0104-01
2	00				

- RECEPTACLE ACCEPTS A 0.20-0.36 (.008-.014) THICK 1.C. LEAD.
- TUBE LOADED FOR AUTOMATIC INSERTION.



CONTACT FINISH	CONTACT MAT'L	HOUSING MATERIAL	PART NO.
TINNED	PHOS.BRZ. 0.15 (.006)	GLASS-FILLED THERMOPLASTIC, 94V-0, BLACK	2-382882-3
GOLD	BE.CU. 0.15 (.006)	GLASS-FILLED THERMOPLASTIC, 94V-0, BLACK	2-382882-2
TINNED	BE.CU. 0.15 (.006)	GLASS-FILLED THERMOPLASTIC, 94V-0, BLACK	2-382882-1

DO NOT SCALE PRINT. UNLESS SPECIFIED DIMENSIONS IN MM (INCHES) FRACTIONS 10: 2 PL DEC # 0.13 (.005) HOLE # 0.30	DR 7-5-94 R. VALLEY CHR 2-5-94 S. TALLEY APPD 7-5-94 M. HADDESTON APPD 7-5-94 M. STADON MODLT SPEC 108-1066	AMP Incorporated Harrisburg, PA 17105-3608 SOCKET ASSY, DIP, 6 PDS, DIPLOMATE DL
FINISH SEE TABLE	APPLICATION SPEC 114-1049 MFRPT -	

THIS DRAWING IS A CONTROLLED DOCUMENT FOR AMP INCORPORATED. IT IS SUBJECT TO CHANGE AND THE ORIGINAL AND MOST RECENT REVISION SHOULD BE CONTACTED FOR THE LATEST REVISION.