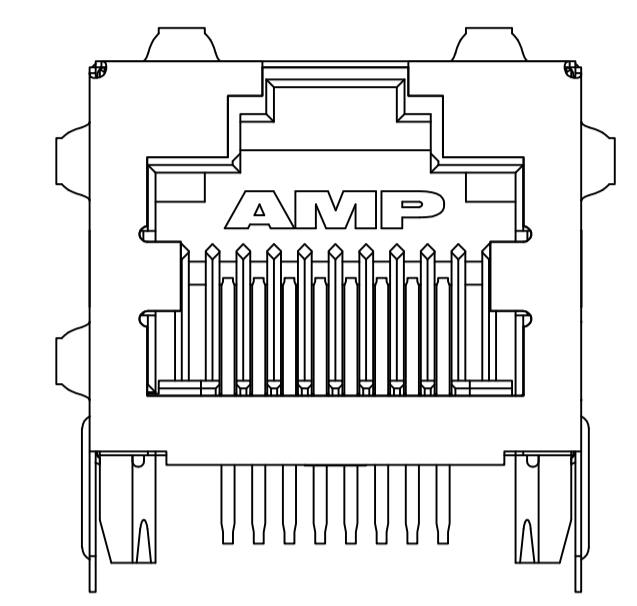
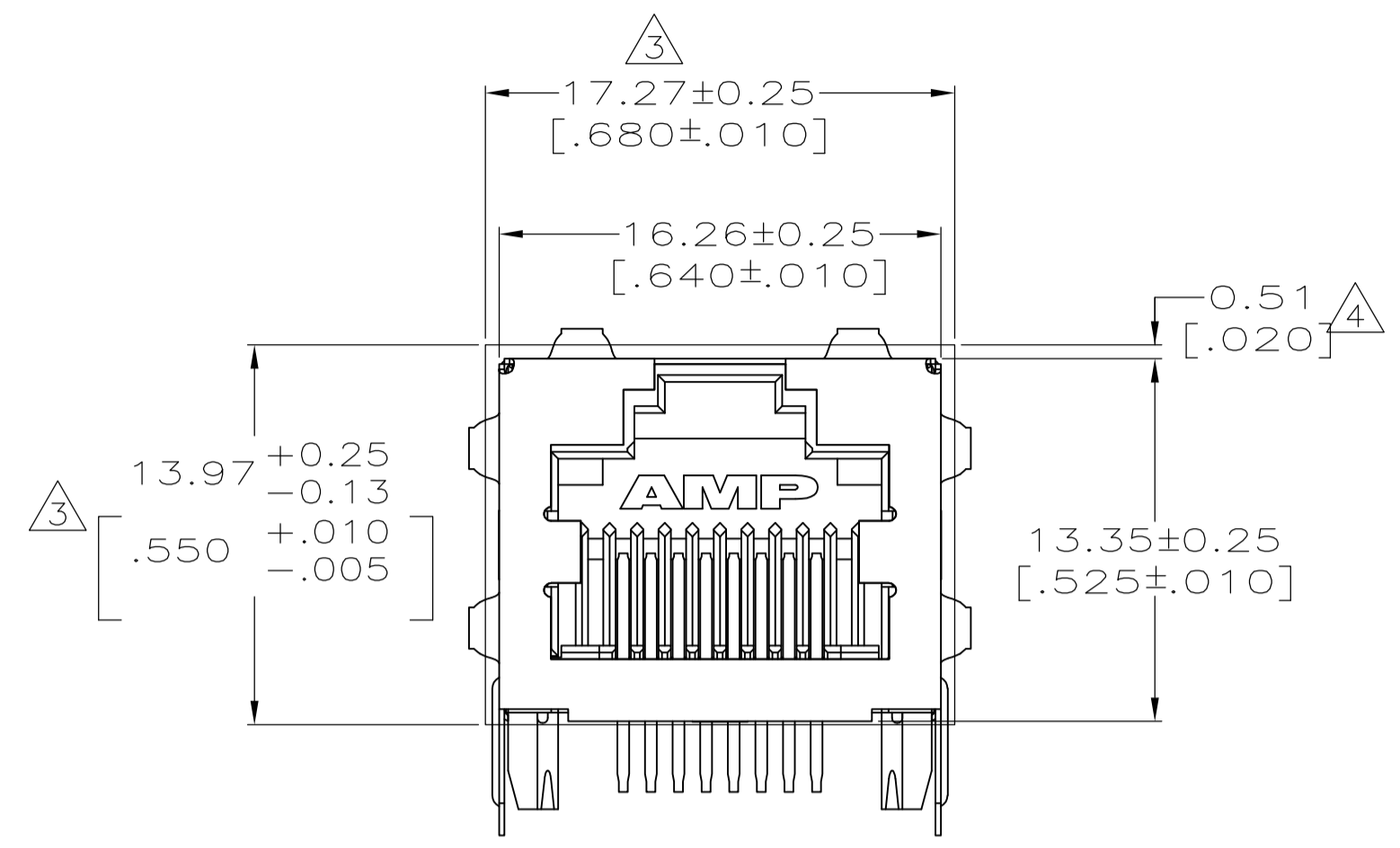
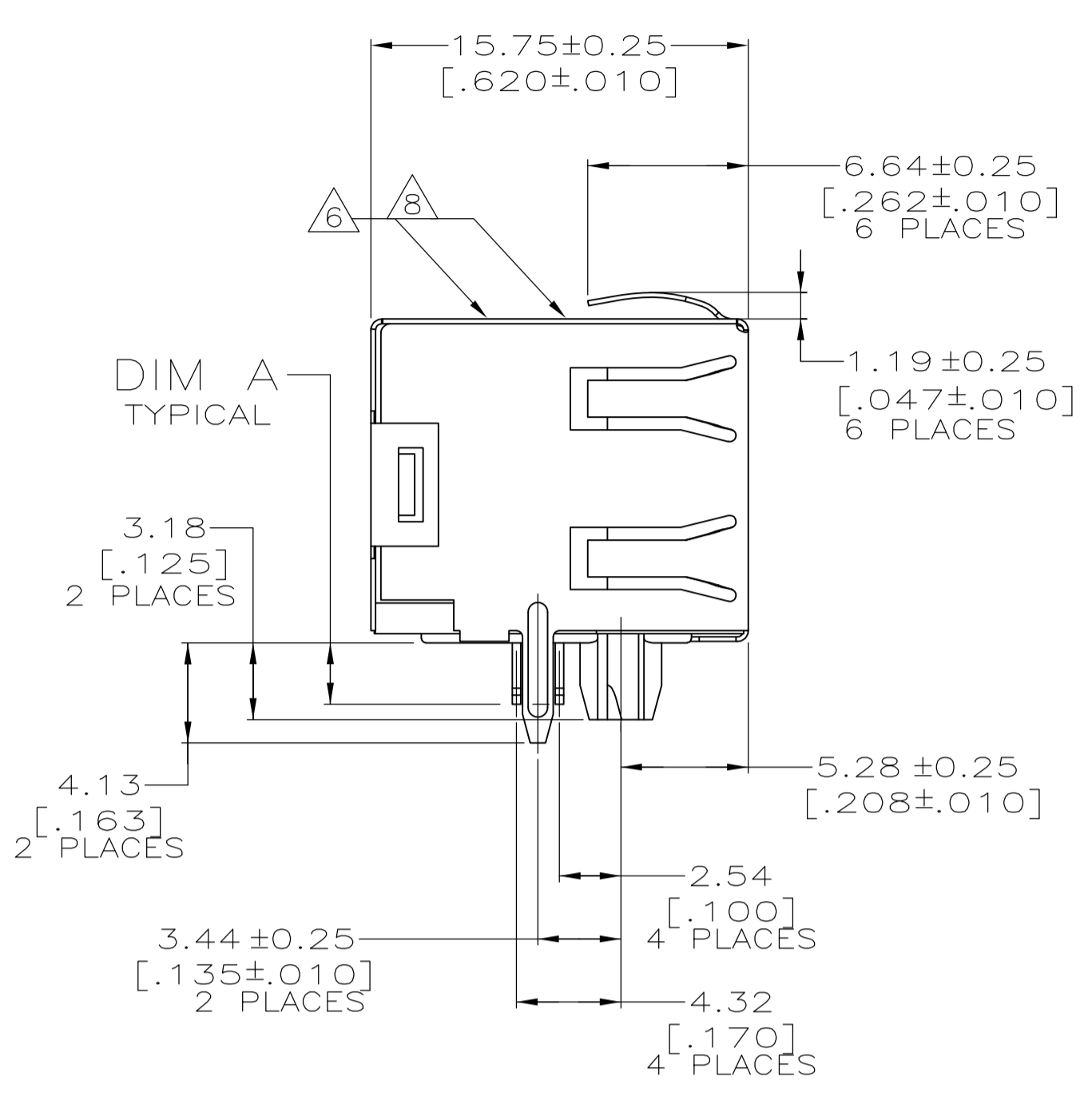


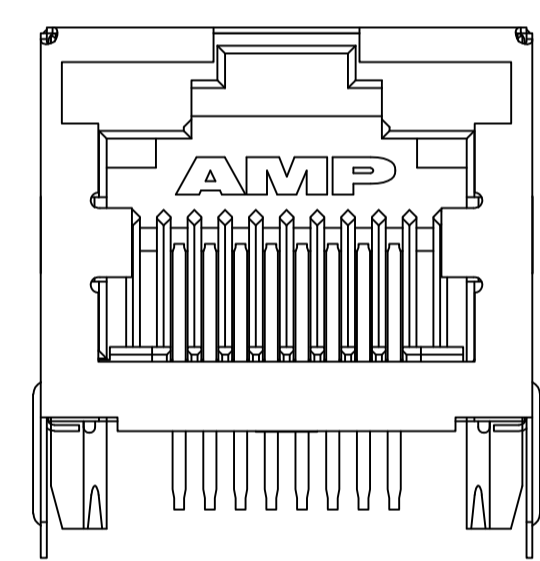
REVISIONS					
P	LTR	DESCRIPTION	DATE	DMN	APVD
P	ECC-17-000244		09JAN2017	AD	SH



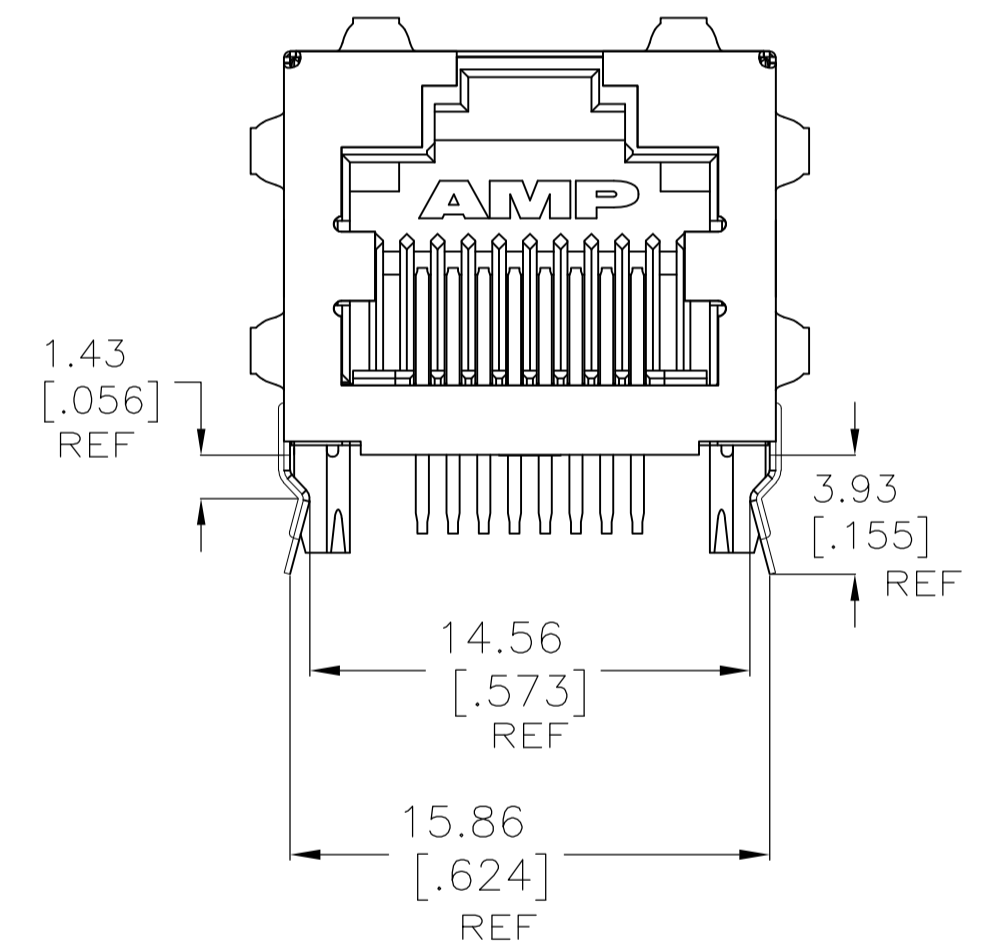
406541-1, -3, & -6
1-406541-1, 1-3, 1-6 & 1-9&2--6

406541-4
1-406541-4
WITHOUT LOWER RIGHT PANEL GROUND

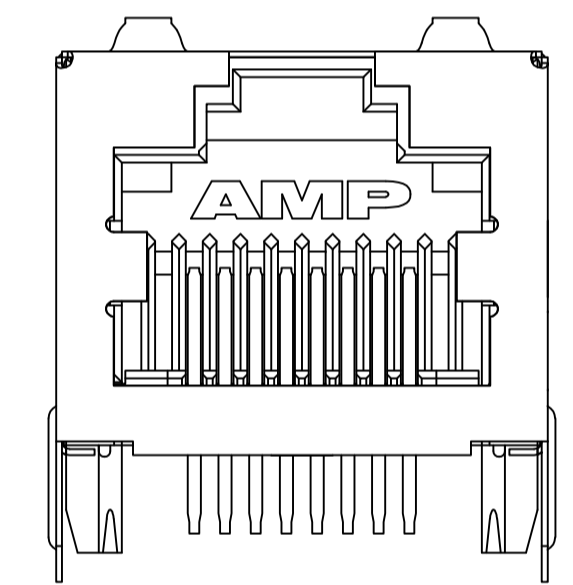
- △ MATERIAL:
HOUSING - HIGH TEMPERATURE THERMOPLASTIC, COLOR: BLACK, UL94V-0
TERMINALS - 0.36[.014] THICK PHOS BRONZE PLATED WITH 3.81µm[.000150] MINIMUM THICK (SEE P/N TABLE) IN SOLDER AREA. 1.27µm[.000050] MINIMUM GOLD IN LOCALIZED PLATE AREA. ENTIRE TERMINAL PLATED WITH 1.27µm[.000050] MINIMUM THICK NICKEL.
SHIELD - 0.196[.0077] THICK COPPER ZINC ALLOY PREPLATED WITH 1.27µm[.000050] MINIMUM SATIN NICKEL WITH 2.03µm[.000080] MINIMUM TIN POST DIPPED ON PCB GROUND TABS.
- 2. JACK CAVITY CONFORMS TO FCC RULES AND REGULATIONS PART 68, SUBPART F.
- △ SUGGESTED PANEL OPENING DIMENSIONS.
- △ SUGGESTED CLEARANCE BETWEEN TOP OF CONNECTOR AND TOP PANEL OPENING.
- △ ON 406541-4 & 1-406541-4 LOWER RIGHT HAND PANEL GROUND TAB IS NOT PRESENT.
- △ MANUFACTURING DATE CODE: LOCATED APPROX. AS SHOWN.
FIRST 2 DIGITS = LAST 2 DIGITS OF YEAR.
NEXT 2 DIGITS = MANUFACTURING WORK WEEK,
LAST DIGIT = DAY OF WEEK WITH SUNDAY = 1.
- △ OBSOLETE PARTS: OBSOLETE CIS STREAMLINING PER D.RENAUD/D.SINISI
- △ ADD PN ON TOP SURFACE FOR REQUIRED PARTS



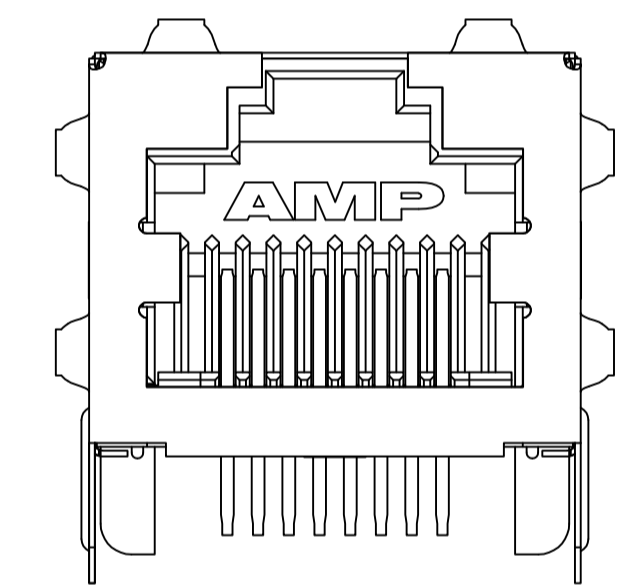
406541-5
1-406541-5
1-406541-8
WITHOUT PANEL GROUNDS



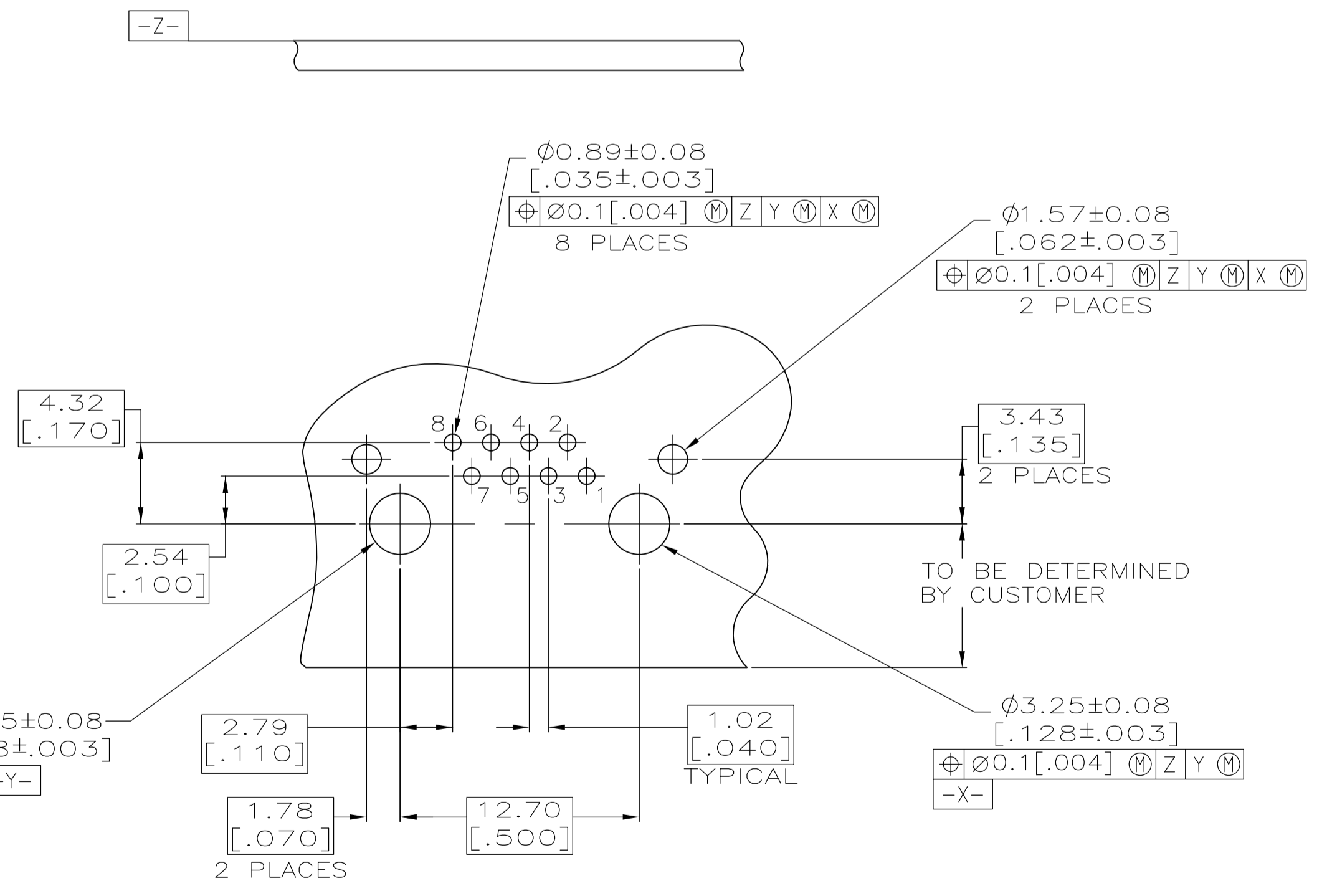
1-406541-7, 2-406541-7



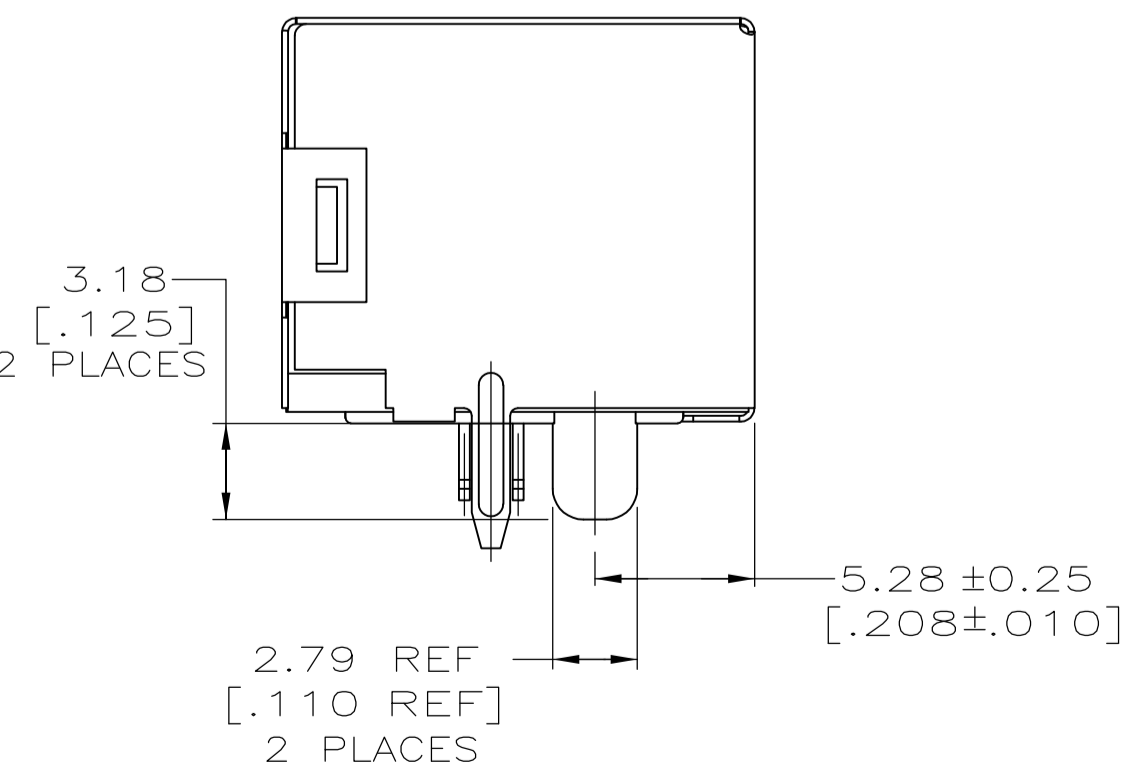
2-406541-1
2-406541-4
WITHOUT SIDE PANEL GROUND



2-406541-3
NARROW POST TYPE



SUGGESTED PRINTED CIRCUIT BOARD LAYOUT
(COMPONENT SIDE)



△ 2-406541-0, 2-2
NARROW POST TYPE

TERMINAL PLATING	PACKAGING	PANEL GROUNDS	DIM A	PART NUMBER
TRAY	6	△	2.54 [.100]	2-406541-7
TRAY	6	△	3.56 [.140]	2-406541-6
TAPE/REEL	2		2.54 [.100]	2-406541-4
TRAY	6		3.05 [.120]	2-406541-3
TRAY	0		2.54 [.100]	2-406541-2
TRAY	2		2.54 [.100]	2-406541-1
TAPE/REEL	0		2.54 [.100]	2-406541-0
TRAY	6		3.05 [.120]	1-406541-9
TAPE/REEL	0		2.54 [.100]	1-406541-8
TRAY	6		2.54 [.100]	1-406541-7
TRAY	6		3.56 [.140]	1-406541-6
TRAY	0		2.54 [.100]	1-406541-5
TRAY	5	△	2.54 [.100]	1-406541-4
-TRAY	6		2.00 [-.079]	1-406541-3
TRAY	6		2.54 [.100]	1-406541-1
TRAY	6		3.56 [.140]	406541-6
TRAY	0		2.54 [.100]	406541-5
TRAY	5	△	2.54 [.100]	406541-4
-TRAY	6		2.00 [-.079]	406541-3
TRAY	6		2.54 [.100]	406541-1

THIS DRAWING IS A CONTROLLED DOCUMENT.		DMN: TS/LA.MAYER 09JAN2008		APVD: J.WESTMAN 09JAN2008	
DIMENSIONS: mm [INCHES]		TOLERANCES UNLESS OTHERWISE SPECIFIED:		PRODUCT SPEC	
0 PLC	±	1 PLC	±	2 PLC	± 0.25[.010]
3 PLC	±	4 PLC	±	ANGLES	±
MATERIAL: SEE TABLE		FINISH: SEE TABLE		WEIGHT: 0.000000	
CUSTOMER DRAWING		SCALE: 4:1		SHEET 1 OF 1	

Mouser Electronics

Authorized Distributor

Click to View Pricing, Inventory, Delivery & Lifecycle Information:

[TE Connectivity:](#)

[2-406541-1](#)