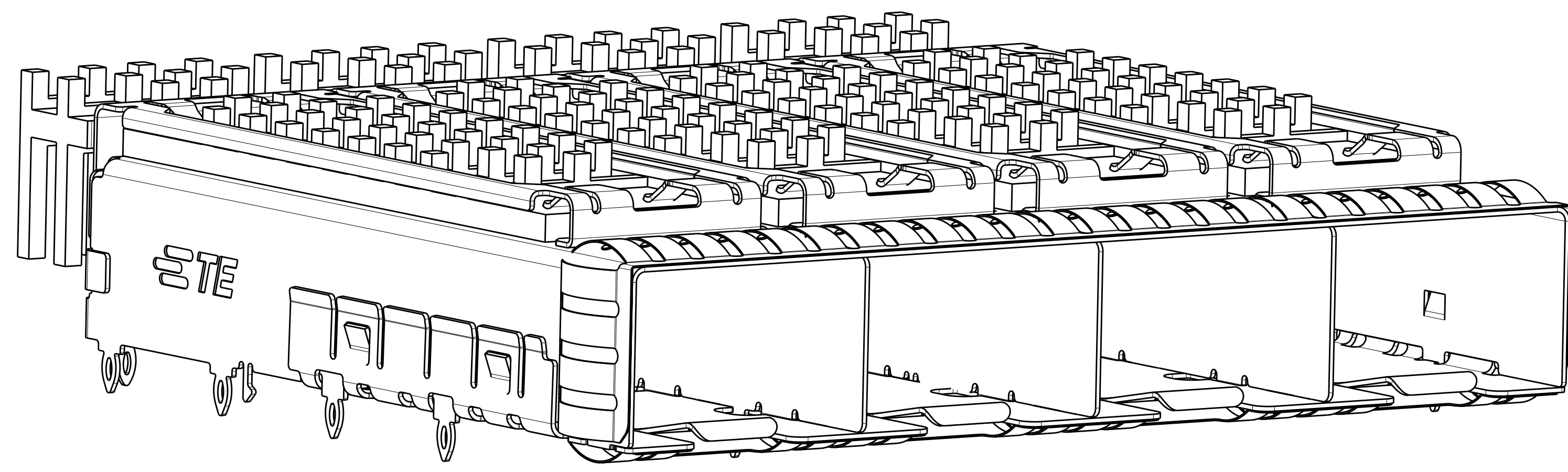
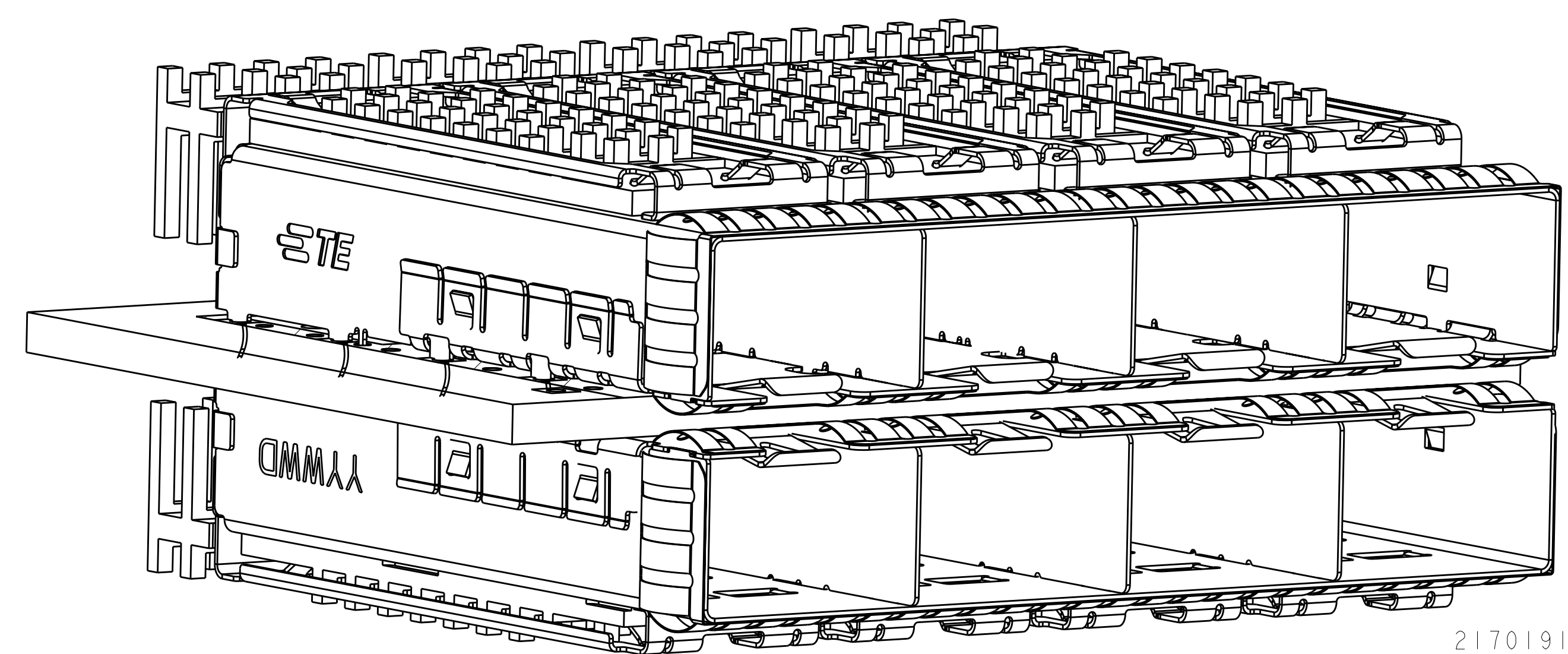
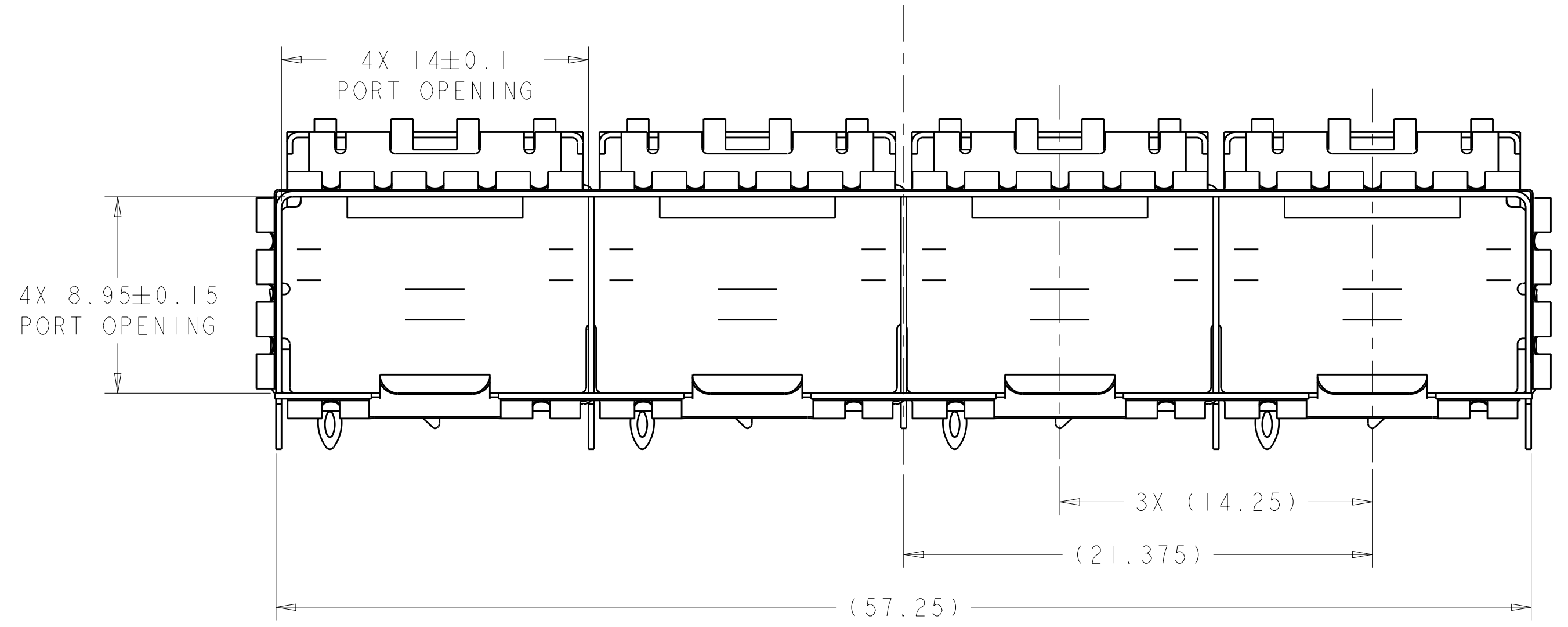
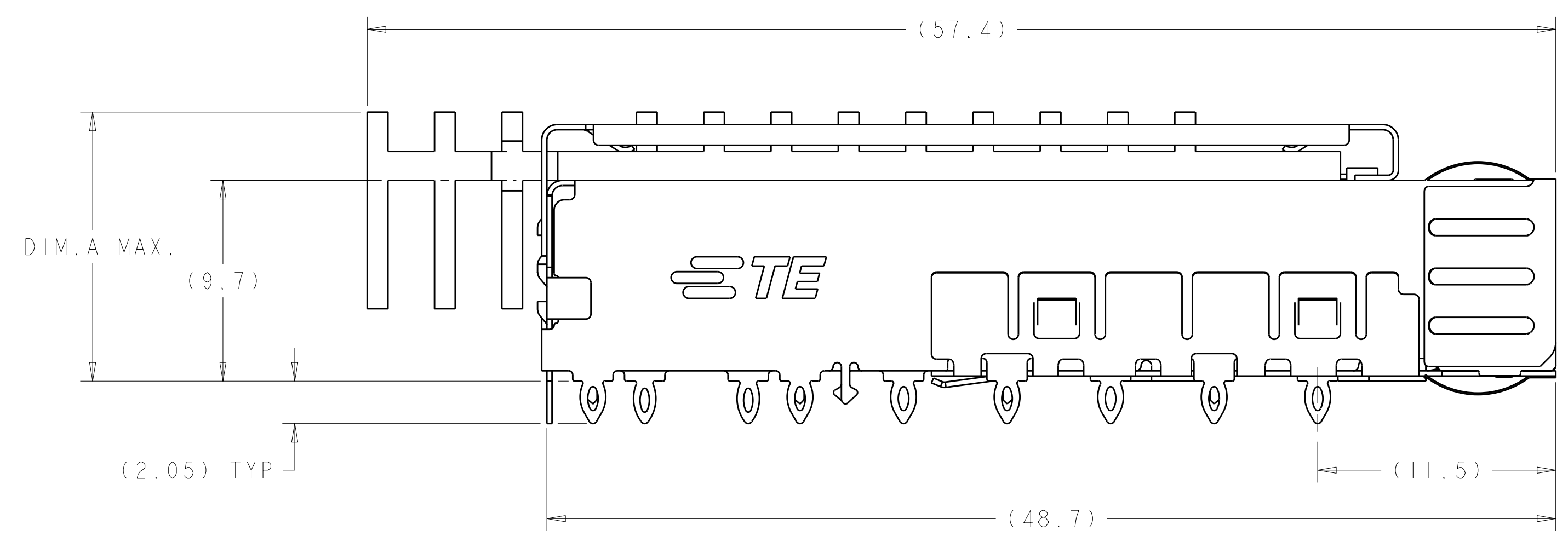


LOC	DIST	REVISIONS			
GP	00	REV	DATE	BY	APPV
		1	23NOV2011	TX	AC
		2	21DEC2011	TX	AC



2170191-1
FINISHED ASSEMBLY

- 1 MATERIAL:
CAGE ASSEMBLY: 0.25mm THICK NICKEL SILVER ALLOY
HEATSINK CLIP: STAINLESS STEEL
HEATSINK: ALUMINUM
- 2 FINISH:
SPRINGS: MINIMUM OF 0.8um TIN PLATE OVER A MINIMUM OF 0.8um NICKEL UNDERPLATE.
NON-PLATED EDGES PERMISSIBLE.
HEATSINK: ELECTROLESS NICKEL
HEATSINK CLIP: PASSIVATE
- 3 PADS AND VIAS CHASSIS GROUND.
- 4 DATUM AND BASIC DIMENSION ESTABLISHED BY CUSTOMER.
- 5. MATES WITH SFP MSA COMPLIANT TRANSCEIVERS.
- 6. INTERPRETATION OF DATUM REFERENCE FRAME IN ACCORDANCE WITH SECT 4.4.1.1 OF ASME Y14.5M-1994.
- 7 REFERENCE APPLICATION SPEC. 114-13120, HOLE A, FOR RECOMMENDED DRILL HOLE DIAMETER AND PLATING THICKNESS.
- 8 REFERENCE APPLICATION SPEC. 114-13120, HOLE B, FOR RECOMMENDED DRILL HOLE DIAMETER AND PLATING THICKNESS.
- 9 HOLE PATTERN REPEATS FOR EACH PORT. SPACING BETWEEN PORTS IS 14.25mm.
- 10 MINIMUM PC BOARD THICKNESS:
SINGLE SIDED = 1.50
DOUBLE SIDED = 2.25
- 11. CERTAIN MATING TRANSCEIVERS MAY REQUIRE ADDITIONAL PCB THICKNESS THAT WOULD BE DETERMINED BY THE CUSTOMER.
- 12. PRODUCT COMPLIES WITH SPECIFICATION SFF-8433 IMPROVED PLUGGABLE FORM FACTOR FOR SFP+ GANGED CAGES.
- 13 DIMENSION APPLIES PRIOR TO INSERTION OF SFP MODULE



2170191-1
MOUNTED BELLY TO BELLY ON PCB
SCALE 4:1

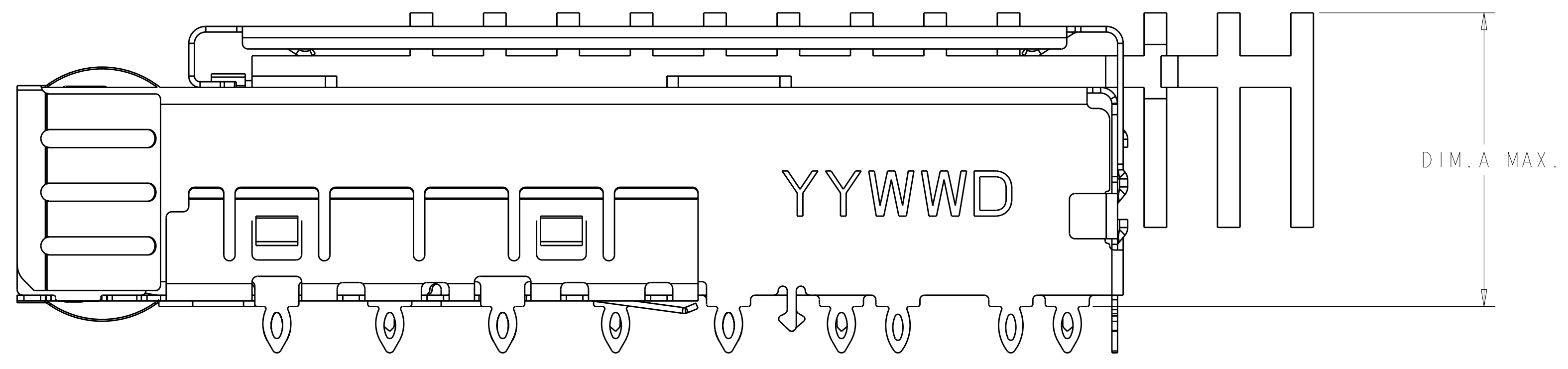
A MAX	DESCRIPTION	PART NUMBER
20.2	HEAT SINK W/ THE FIRST ROW PIN	2170191-2
13	HEAT SINK W/O THE FIRST ROW PIN	2170191-1

THIS PRINT IS
PRELIMINARY
UNQUALIFIED PRODUCT
CONTACT PRODUCT ENGINEERING
BEFORE USING THIS PRINT

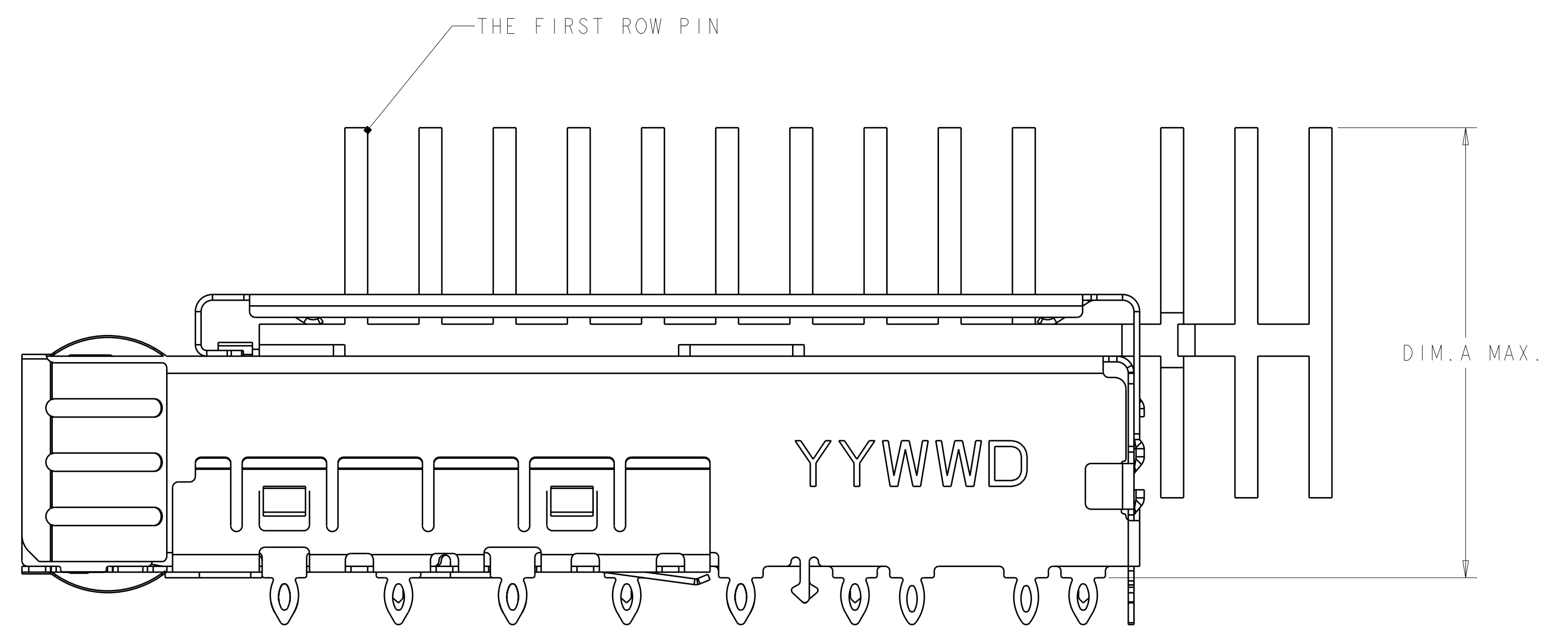
THIS DRAWING IS A CONTROLLED DOCUMENT.

DIMENSIONS:	TOLERANCES UNLESS OTHERWISE SPECIFIED:	9 PLC ±0.1	1 PLC ±0.1	2 PLC ±0.1	3 PLC ±0.1	4 PLC ±0.1	ANGLES ±0.1	FINISH ±1.0°
MATERIAL	FINISH	STE		SFP+ ENHANCED 1X4 CAGE ASSEMBLY PRESS FIT, EXTERNAL EMI SPRINGS WITH HEATSINK		114-13120		108-2364
CUSTOMER DRAWING		A100779C=2170191		SCALE 5:1		SHEET 1 OF 5		REV 2

LOC	DIST	REVISIONS			
GP	00	REV	DATE	BY	APPD
-	-	SEE SHEET 1	-	-	-



2170191-1 AS SHOWN
 HEAT SINK W/O THE FIRST ROW PIN

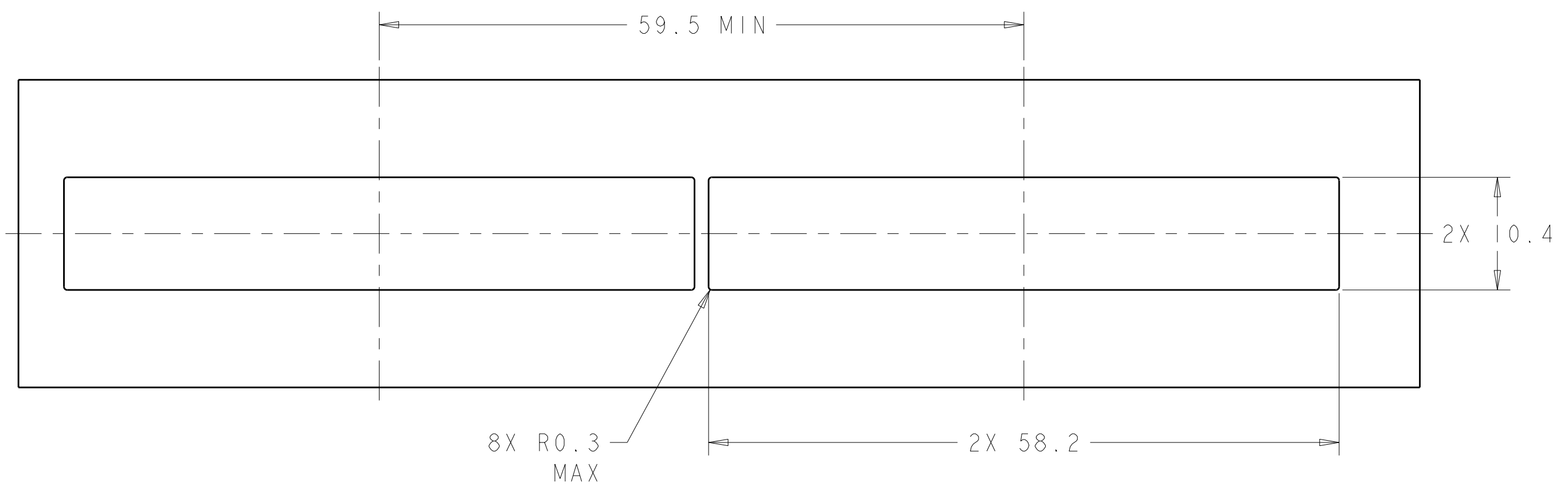


2170191-2 AS SHOWN

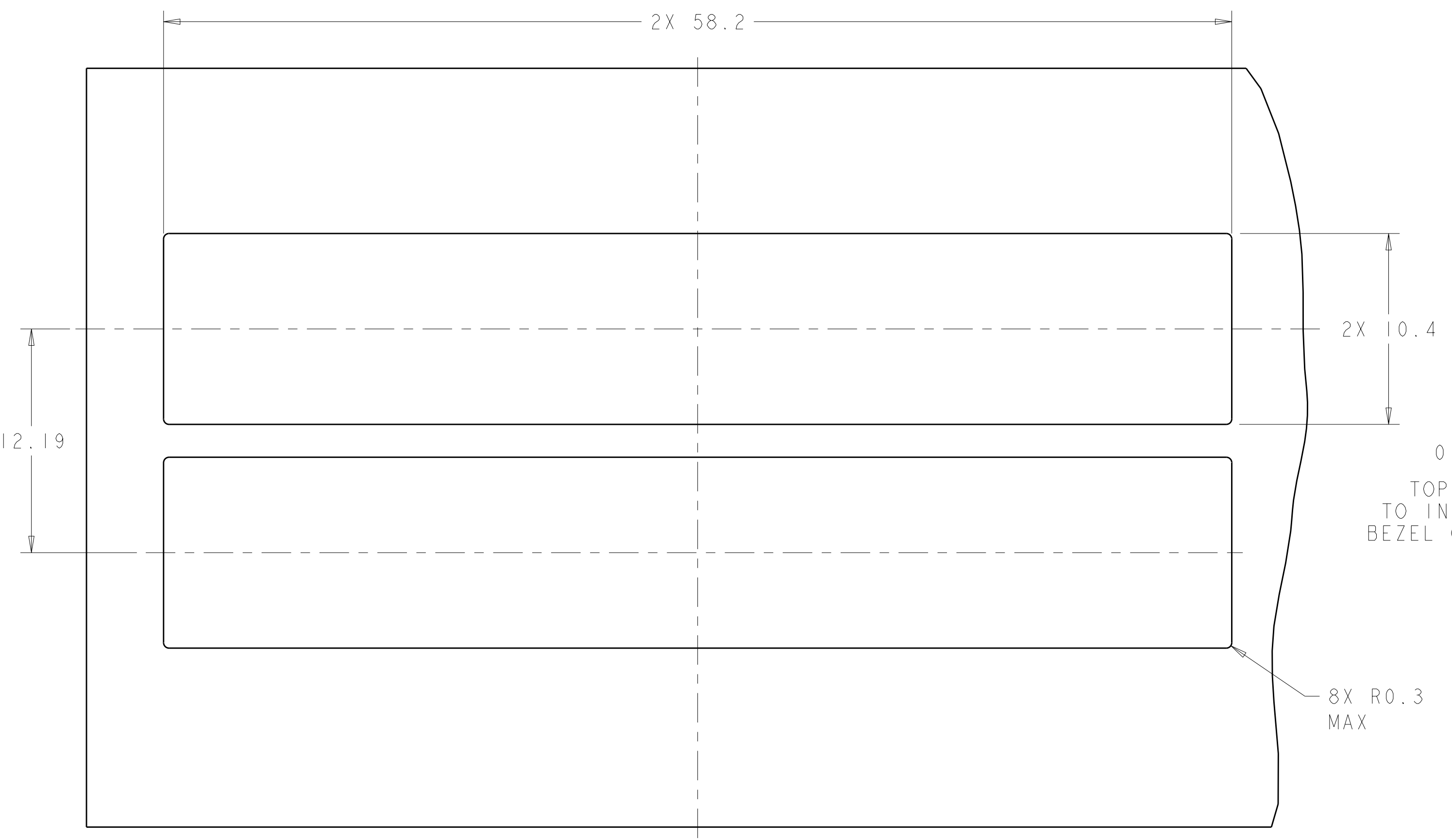
THIS DRAWING IS A CONTROLLED DOCUMENT.		DWN: TIM_XUE 23NOV2011 CHK: ALEX_CAI 23NOV2011 APVD: ALEX_CAI 23NOV2011	TE Connectivity
DIMENSIONS: mm	TOLERANCES UNLESS OTHERWISE SPECIFIED: 9 PLC ±0.1 1 PLC ±0.1 2 PLC ±0.1 3 PLC ±0.1 4 PLC ±0.1 ANGLES ±1°	NAME: SFP+ ENHANCED 1X4 CAGE ASSEMBLY PRESS FIT, EXTERNAL EMI SPRINGS WITH HEATSINK PRODUCT SPEC: 108-2364 APPLICATION SPEC: 114-13120	
MATERIAL: FINISH	WEIGHT: - CUSTOMER DRAWING	SIZE: A100779 CAGE CODE: C=2170191 DRAWING NO: - RESTRICTED TO: -	SCALE: 5:1 SHEET: 2 OF 5 REV: 2

LOC	DIST	REV	DATE	BY	APPD
GP	00				

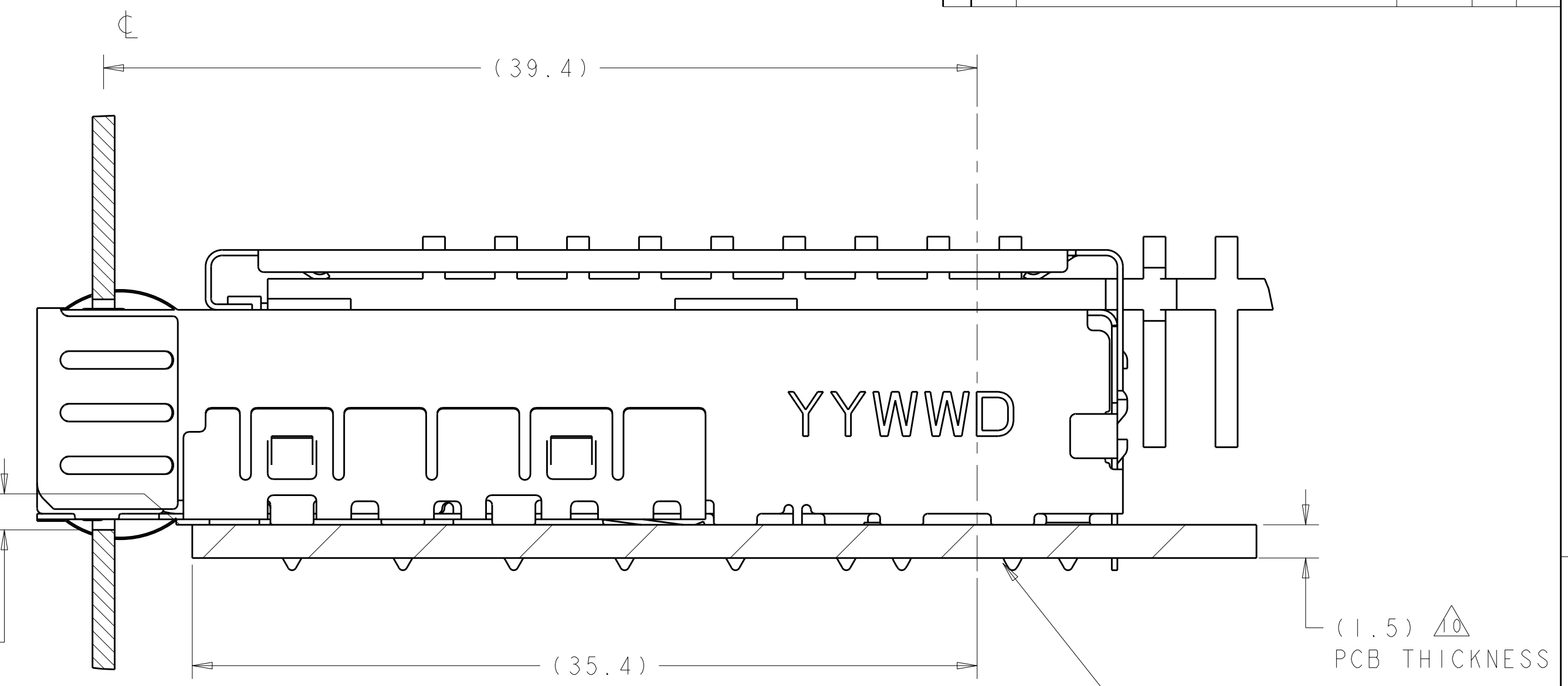
REVISIONS		DATE	BY	APPD
1	SEE SHEET 1			



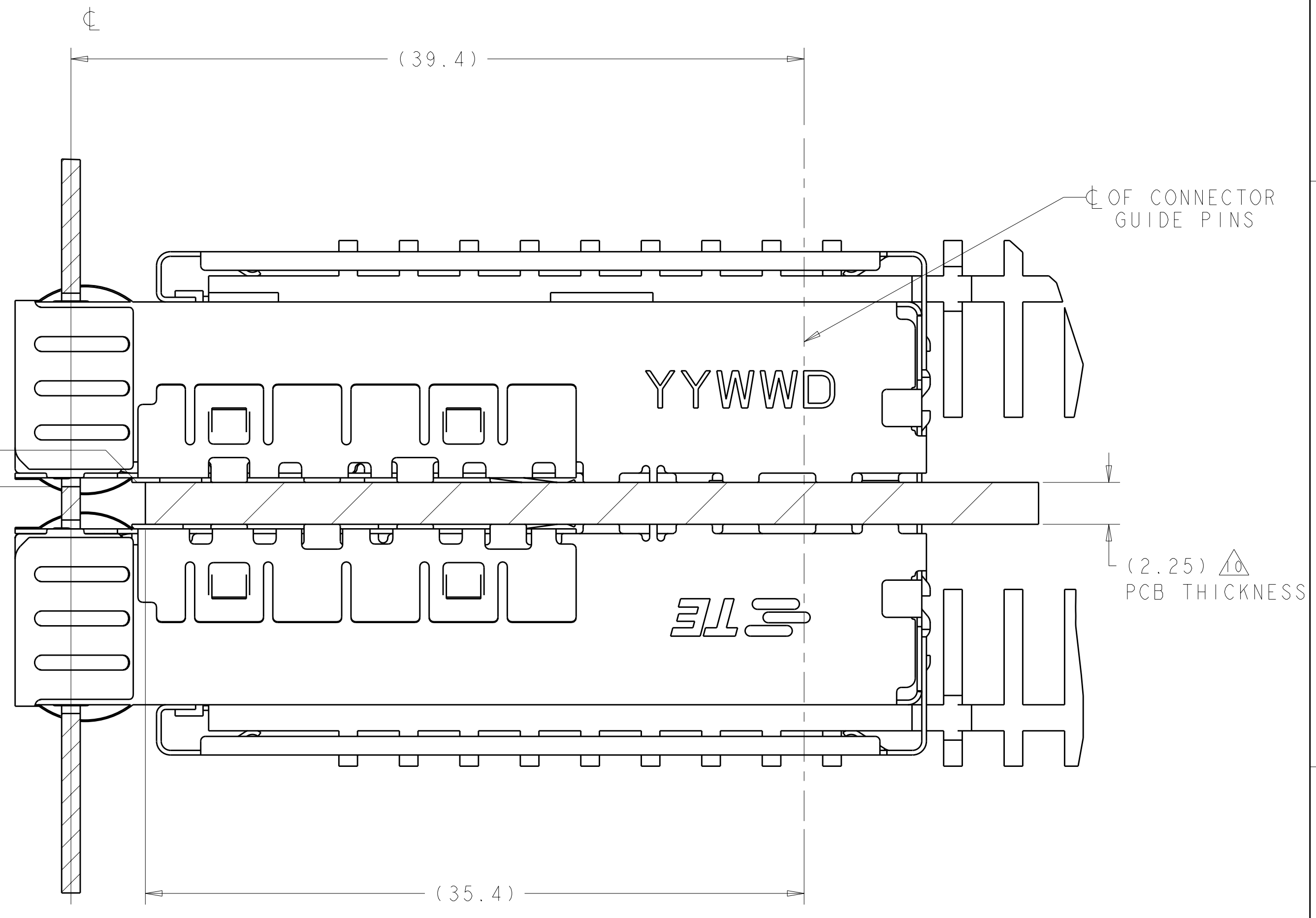
RECOMMENDED BEZEL CUT-OUT
SINGLE SIDED APPLICATIONS
SCALE 5:2



RECOMMENDED BEZEL CUT-OUT
BELLY TO BELLY APPLICATIONS



2149730
MOUNTED ON PC BOARD
SHOWN THRU RECOMMENDED BEZEL



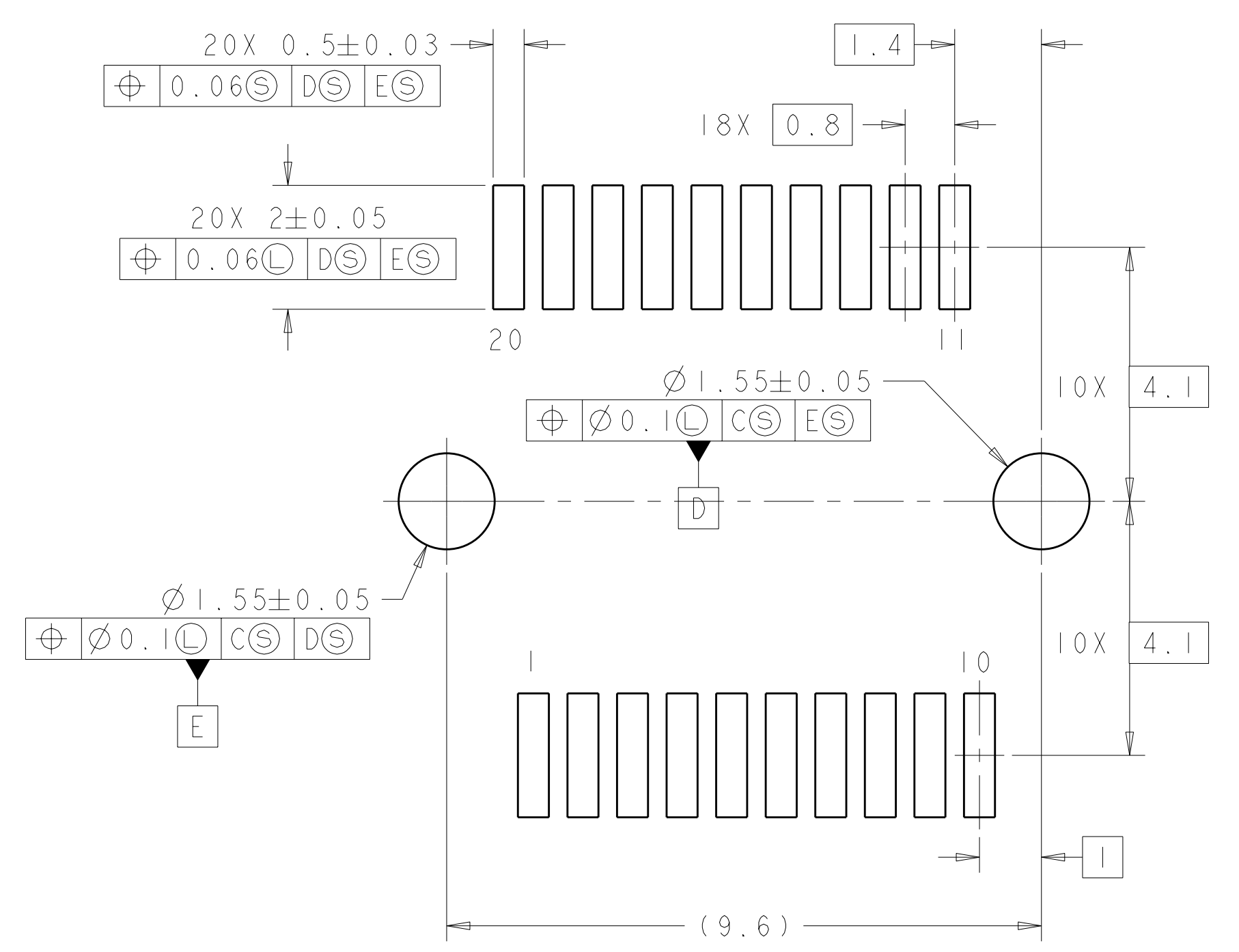
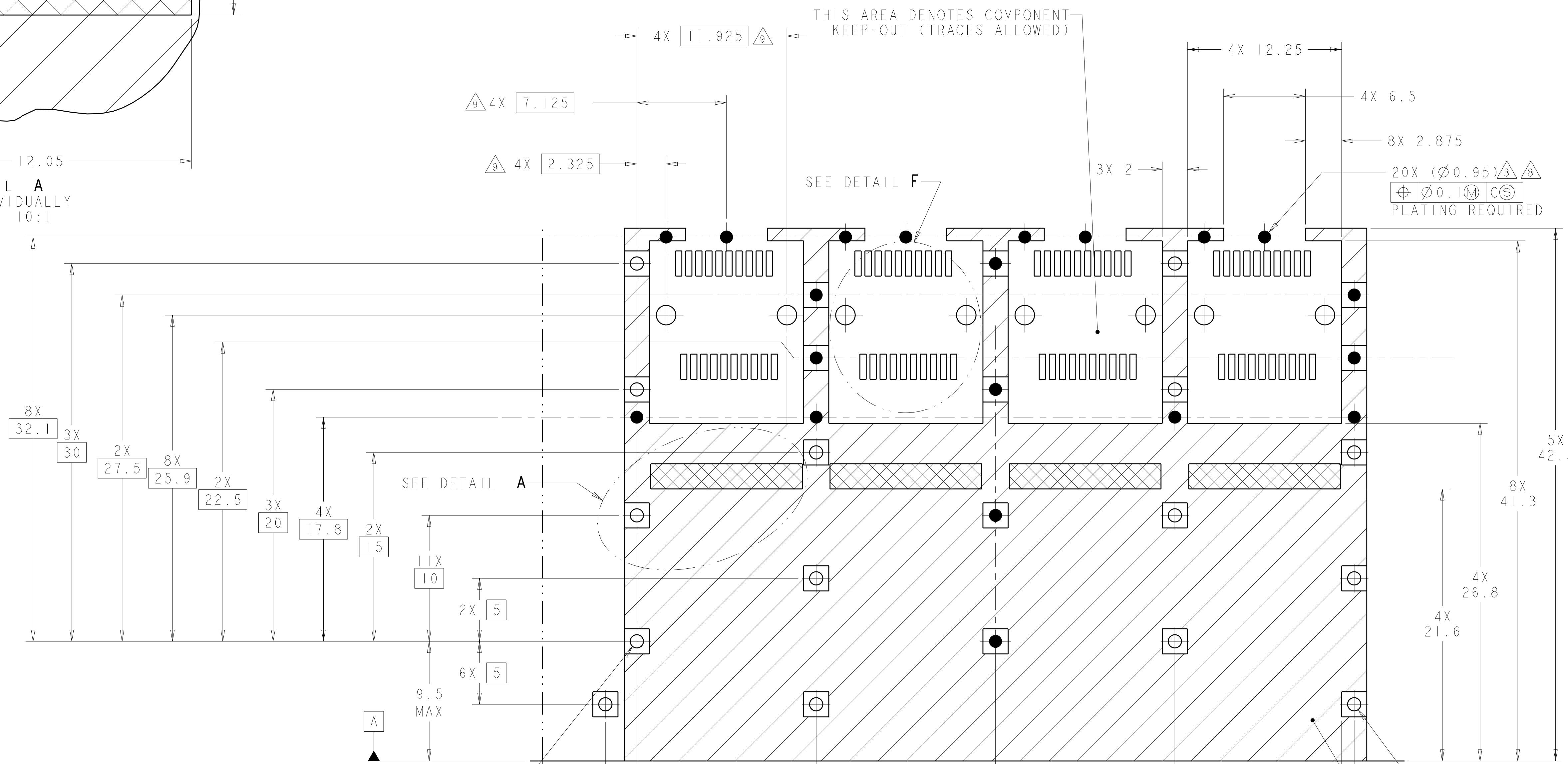
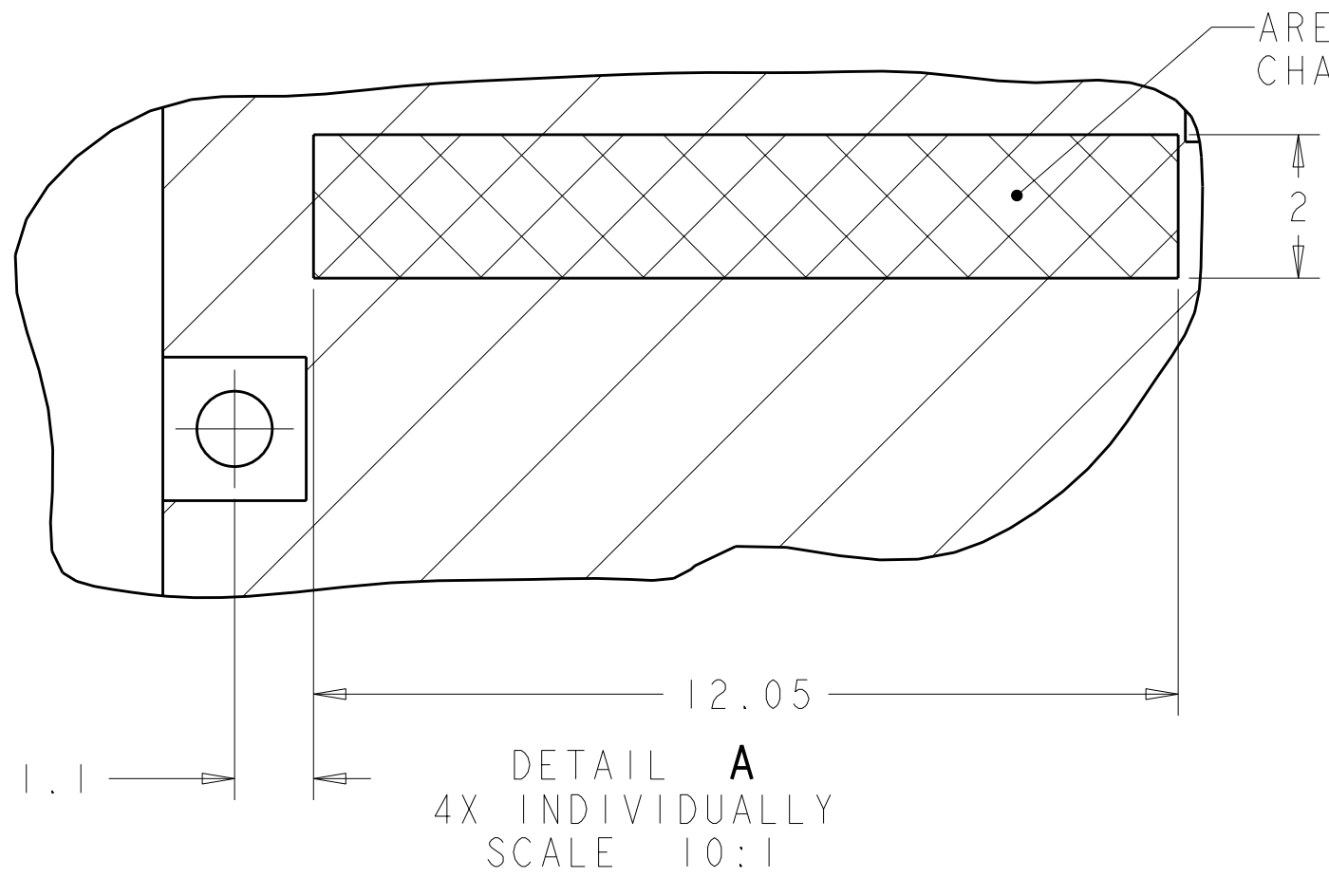
2149730
MOUNTED BELLY TO BELLY ON PC BOARD
SHOWN THRU RECOMMENDED BEZEL

THIS PRINT IS
PRELIMINARY
UNQUALIFIED PRODUCT
CONTACT PRODUCT ENGINEERING
BEFORE USING THIS PRINT

THIS DRAWING IS A CONTROLLED DOCUMENT.		DATE: 23NOV2011	STE TE Connectivity
DIMENSIONS: mm		CHK: ALEX CAI	
TOLERANCES UNLESS OTHERWISE SPECIFIED:		DATE: 23NOV2011	NAME: SFP+ ENHANCED 1X4 CAGE ASSEMBLY PRESS FIT, EXTERNAL EMI SPRINGS WITH HEATSINK
9 PLC ±0.1		APVD: ALEX CAI	
1 PLC ±0.1		PRODUCT SPEC: 108-2364	SIZE: CAGE CODE DRAWING NO: A100779C=2170191
2 PLC ±0.1		APPLICATION SPEC: 114-13120	
3 PLC ±0.1		WEIGHT: -	RESTRICTED TO: -
4 PLC ±0.1		FINISH: ±1°	
MATERIAL: △		CUSTOMER DRAWING	SCALE: 5:1 SHEET: 3 OF 5 REV: 2

LOC	DIST	REV	DATE	BY	APPD
GP	00				

REVISIONS		DATE	BY	APPD
1	SEE SHEET 1			



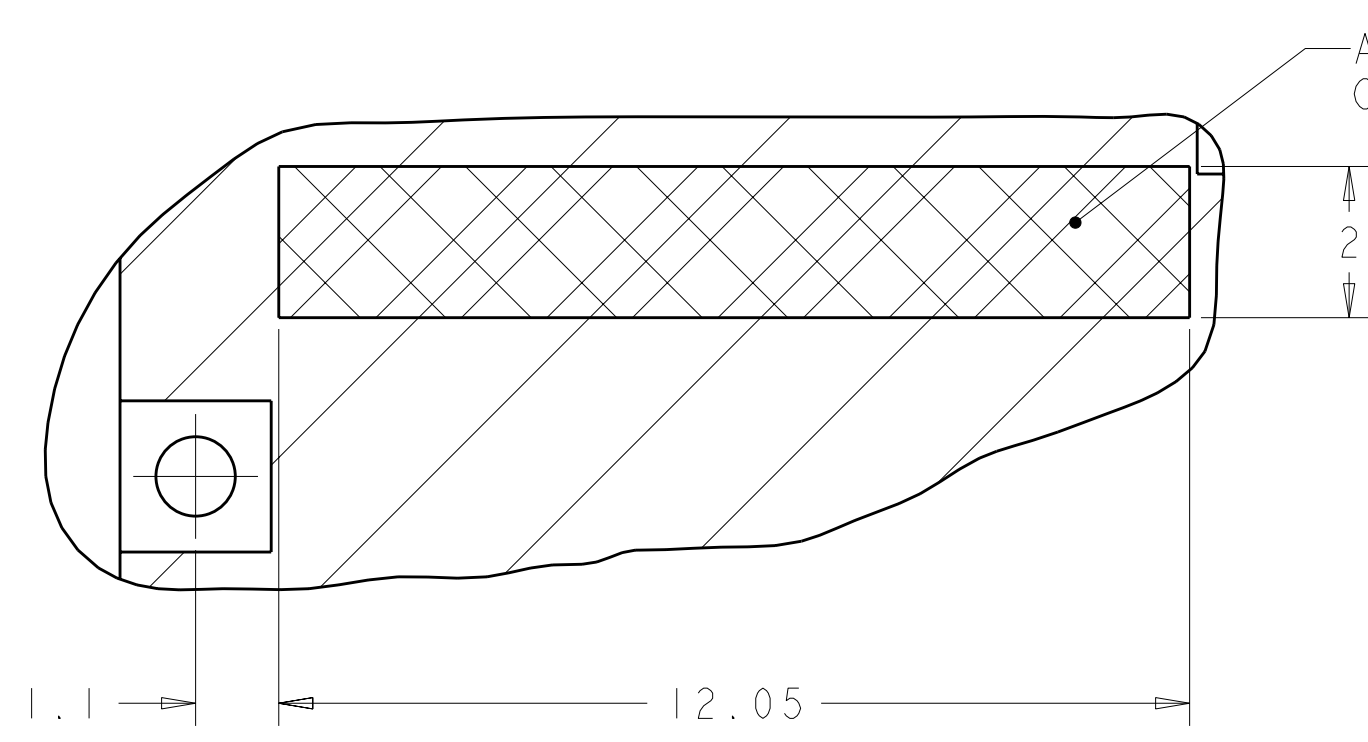
THIS PRINT IS
PRELIMINARY
UNQUALIFIED PRODUCT
CONTACT PRODUCT ENGINEERING
BEFORE USING THIS PRINT

RECOMMENDED PCB CONFIGURATION
WITH KEEP-OUT AREAS
SINGLE SIDED APPLICATIONS
SCALE 5:1

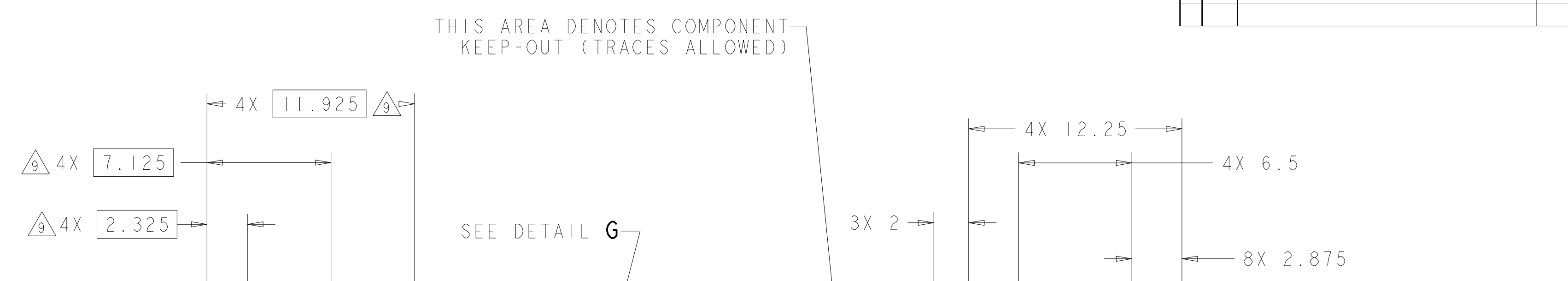
THIS DRAWING IS A CONTROLLED DOCUMENT.		OWN: TIM XUE 23NOV2011	TE Connectivity
DIMENSIONS: mm		CHK: ALEX CAI 23NOV2011	
TOLERANCES UNLESS OTHERWISE SPECIFIED:		APVD: ALEX CAI 23NOV2011	NAME: SFP+ ENHANCED 1X4 CAGE ASSEMBLY PRESS FIT, EXTERNAL EMI SPRINGS WITH HEATSINK
9 PLC ±0.1 1 PLC ±0.1 2 PLC ±0.1 3 PLC ±0.1 4 PLC ±0.1 ANGLES ±1°		PRODUCT SPEC: 108-2364	
MATERIAL:		APPLICATION SPEC: 114-13120	SIZE: CAGE CODE DRAWING NO: A100779C=2170191
FINISH:		WEIGHT: -	RESTRICTED TO: -
CUSTOMER DRAWING		SCALE: 5:1	SHEET: 4 OF 5
			REV: 2

LOC	DIST	REV	DATE	BY	APPD
GP	00				

REVISIONS		DATE	BY	APPD
1	SEE SHEET 1			

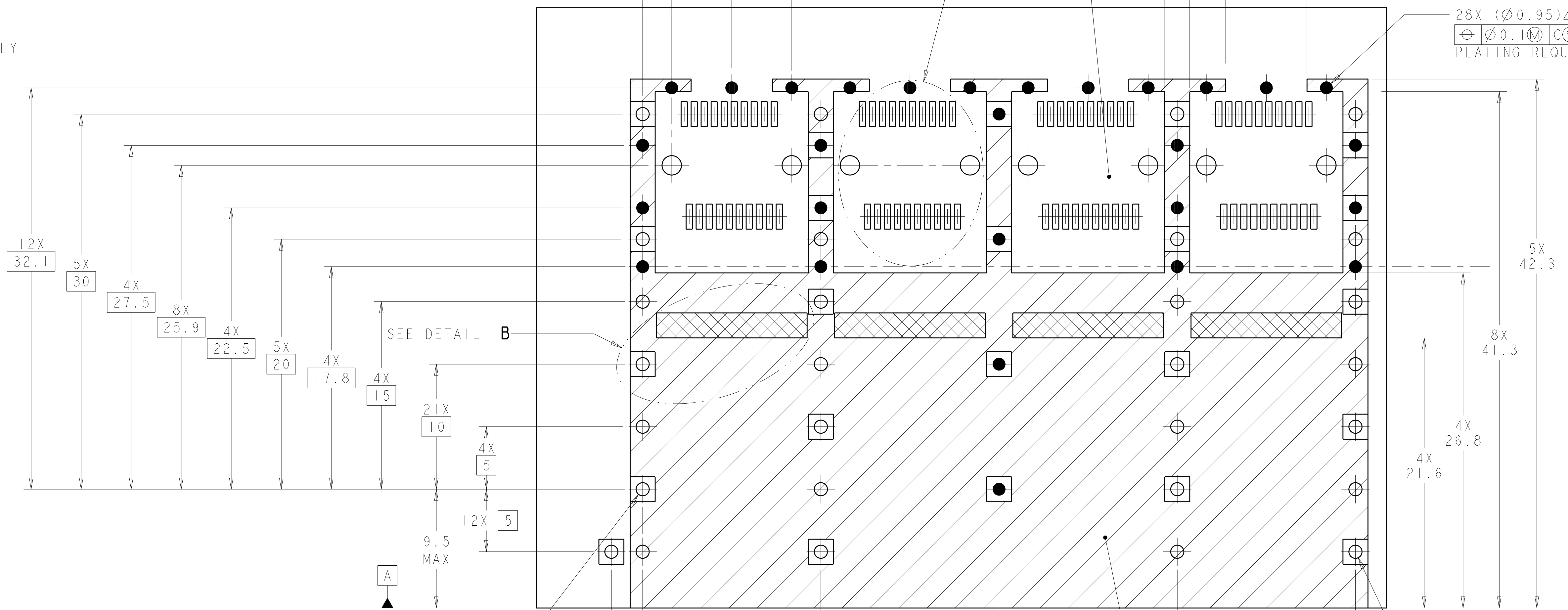


DETAIL B
4X INDIVIDUALLY
SCALE 10:1



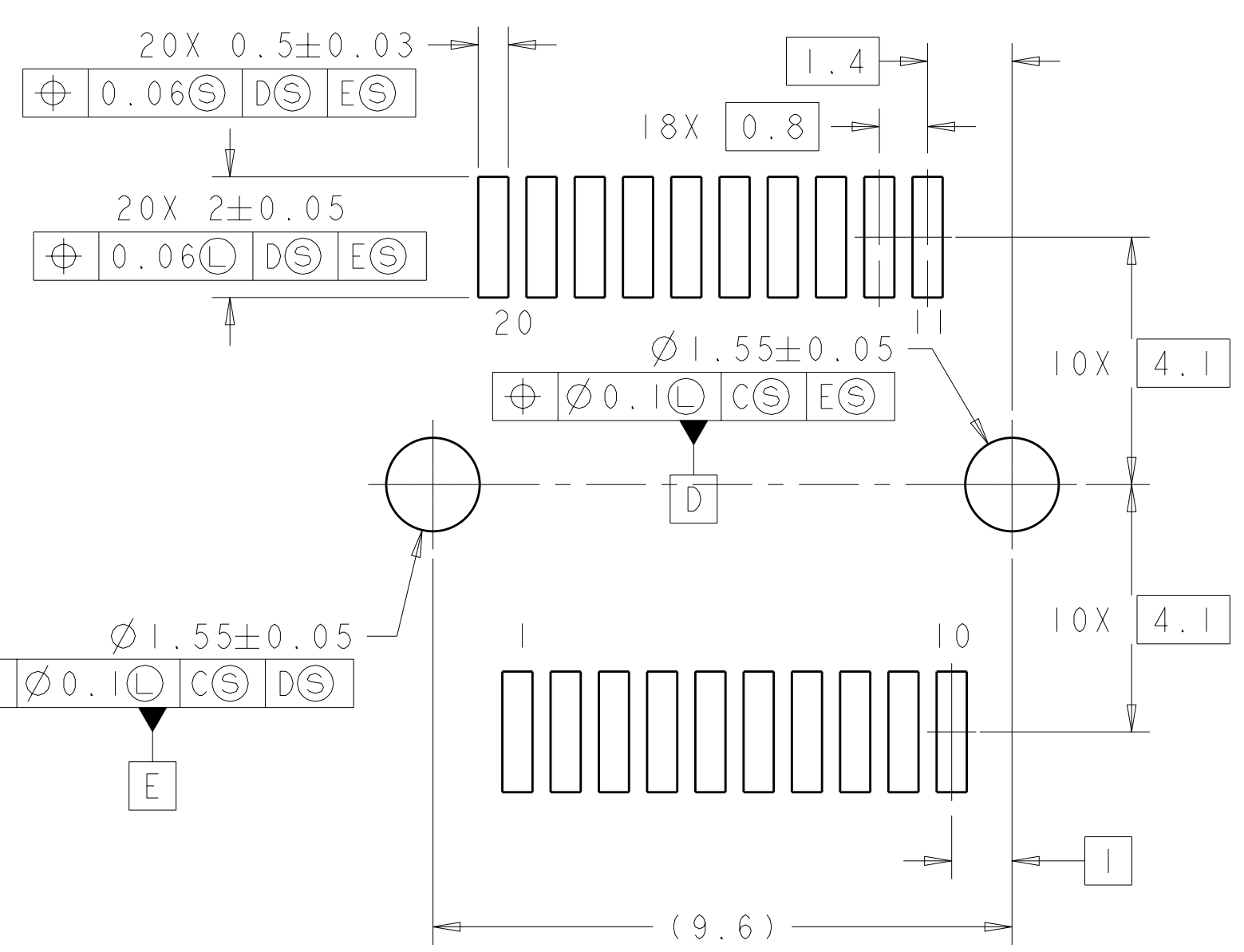
THIS AREA DENOTES COMPONENT
KEEP-OUT (TRACES ALLOWED)

SEE DETAIL G



SEE DETAIL B

28X (Ø0.95) Δ Δ Δ Δ
 \oplus Ø0.1 Δ Δ Δ Δ CS
PLATING REQUIRED



DETAIL G
RECOMMENDED PT CONNECTOR LAYOUT
8X INDIVIDUALLY
SCALE 10:1

Δ Δ (Ø1.05)
PLATING REQUIRED
 \oplus Ø0.1 Δ Δ Δ Δ AB
C

51X (Ø1.05) Δ Δ Δ Δ
 \oplus Ø0.1 Δ Δ Δ Δ CS
PLATING REQUIRED

CROSS-HATCHED AREA DENOTES
COMPONENT AND TRACE KEEP-OUT
(EXCEPT CHASSIS GROUND)

RECOMMENDED PCB CONFIGURATION
WITH KEEP-OUT AREAS
BELLY TO BELLY APPLICATIONS
SCALE 5:1 Δ

THIS PRINT IS
PRELIMINARY
UNQUALIFIED PRODUCT
CONTACT PRODUCT ENGINEERING
BEFORE USING THIS PRINT

THIS DRAWING IS A CONTROLLED DOCUMENT.		OWN: TIM XUE 23NOV2011	STE TE Connectivity
DIMENSIONS: mm		CHK: ALEX CAI 23NOV2011	
TOLERANCES UNLESS OTHERWISE SPECIFIED:		APVD: ALEX CAI 23NOV2011	NAME: SFP+ ENHANCED 1X4 CAGE ASSEMBLY PRESS FIT, EXTERNAL EMI SPRINGS WITH HEATSINK
9 PLC ±0.1		PRODUCT SPEC	
1 PLC ±0.1		108-2364	SIZE: CAGE CODE DRAWING NO. RESTRICTED TO
3 PLC ±0.1		APPLICATION SPEC	A100779C-2170191
4 PLC ±0.1		WEIGHT	SCALE 5:1 SHEET 5 OF 5 REV 2
ANGLES ±1°		CUSTOMER DRAWING	