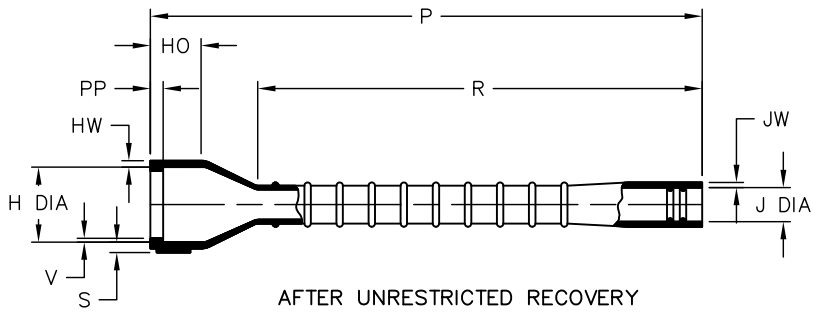
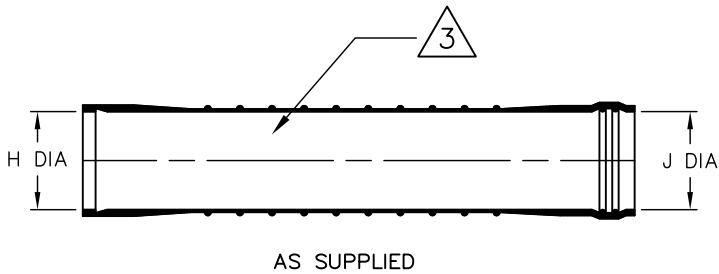


REVISIONS		
LTR	DESCRIPTION	DATE
D	REVISED PER ECO-11-002238	01/31/2011



NOTES:

1. ALL DIMENSIONS ARE IN INCHES
[MILLIMETERS]
2. DIMENSIONS APPEARING IN TABLE ARE AS FOLLOWS:
a - AS SUPPLIED
b - AFTER UNRESTRICTED RECOVERY

3. COATING (ADHESIVE): IS OPTIONAL AS SUPPLIED DIMENSIONS APPEARING IN TABLE ARE FOR UNCOATED PARTS. WHEN COATING IS ADDED, ENTRY DIAMETER WILL BE REDUCED BY .06 [1.5] MAX.

4. ORDERING INFORMATION

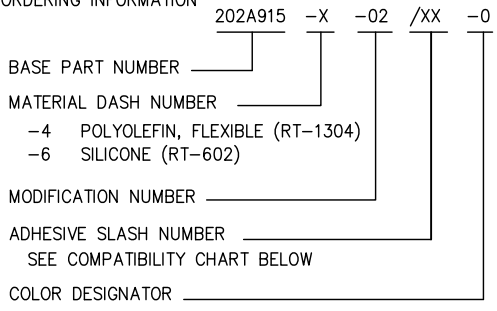


TABLE OF DIMENSIONS

PART DESCRIPTION	H		J		P ±10%	R REF	S MAX	HO REF	PP REF	V ±20%	HW ±20%	JW ±20%
	MIN	MAX	MIN	MAX								
	a	b	a	b	b	b	b	b	b	b	b	
202A915-X-02	1.53 [38,9]	1.17 [29,7]	1.53 [38,9]	.47 [11,9]	9.00 [228,6]	7.35 [186,7]	.20 [5,08]	.86 [21,8]	.20 [5,08]	.04 [1,01]	.10 [2,54]	.08 [2,03]

If this document is printed it becomes uncontrolled. Check for the latest revision

CUSTOMER DRAWING

COMPATIBILITY CHART

MATERIAL DASH NO.	ADHESIVE (COATING) SLASH NUMBER	ADHESIVE (COATING) S NUMBER
-4	/42; /86	S-1017; S-1048
-6	N/A	N/A

UNLESS OTHERWISE SPECIFIED DIMENSIONS ARE INCHES. METRIC DIMENSIONS ARE IN BRACKETS.
DECIMAL TOLERANCES
.XXX ± 0.005 [0.13 mm]
.XX ± 0.01 [0.25 mm]
.X ± 0.1 [0.50 mm]
ANGLE TOLERANCE
.X ± 1 DEG.

DRAWN
UNGUYEN
APPROVED
DHURRELL
THIRD ANGLE PROJECTION

Raychem Molded Parts
305 Constitution Dr
Merlo Park, CA 94025

TITLE
BOOT, STRAIGHT, WITH LIP

SIZE B CODE IDENT. NO. 06090 DWG. NO. 202A915-X-02

© 2007-2011 Tyco Electronics Corporation. All rights reserved. DO NOT SCALE THIS DRAWING SHEET 1 OF 1