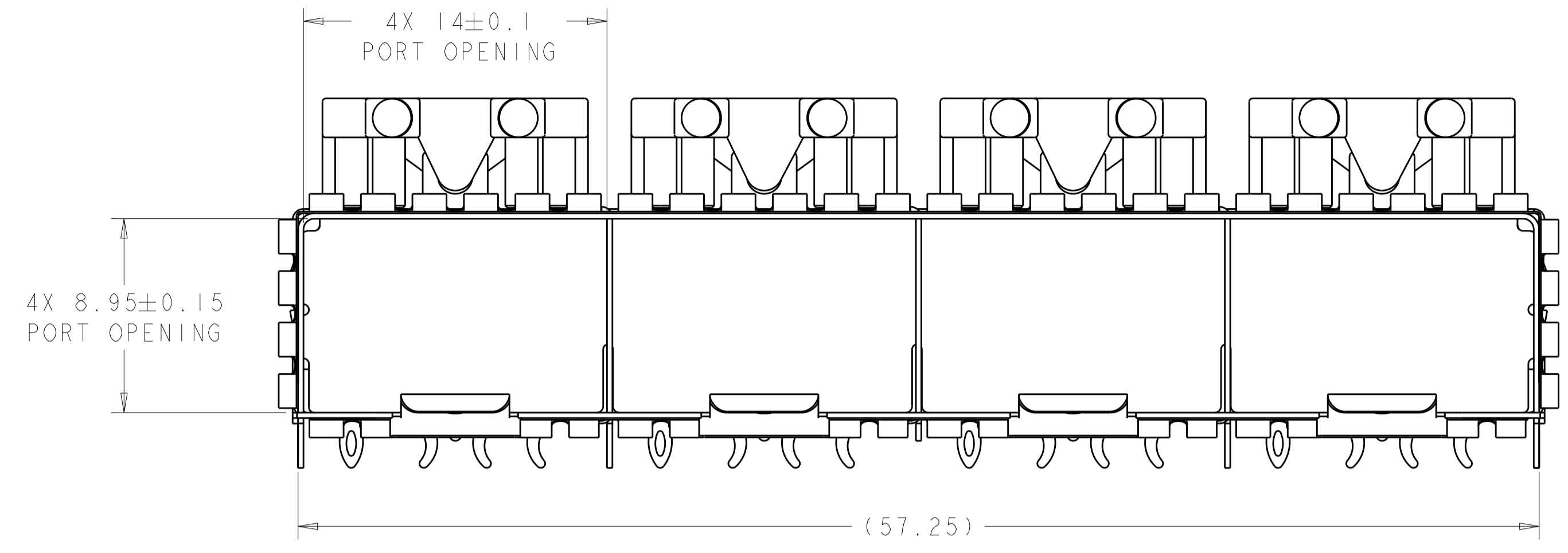
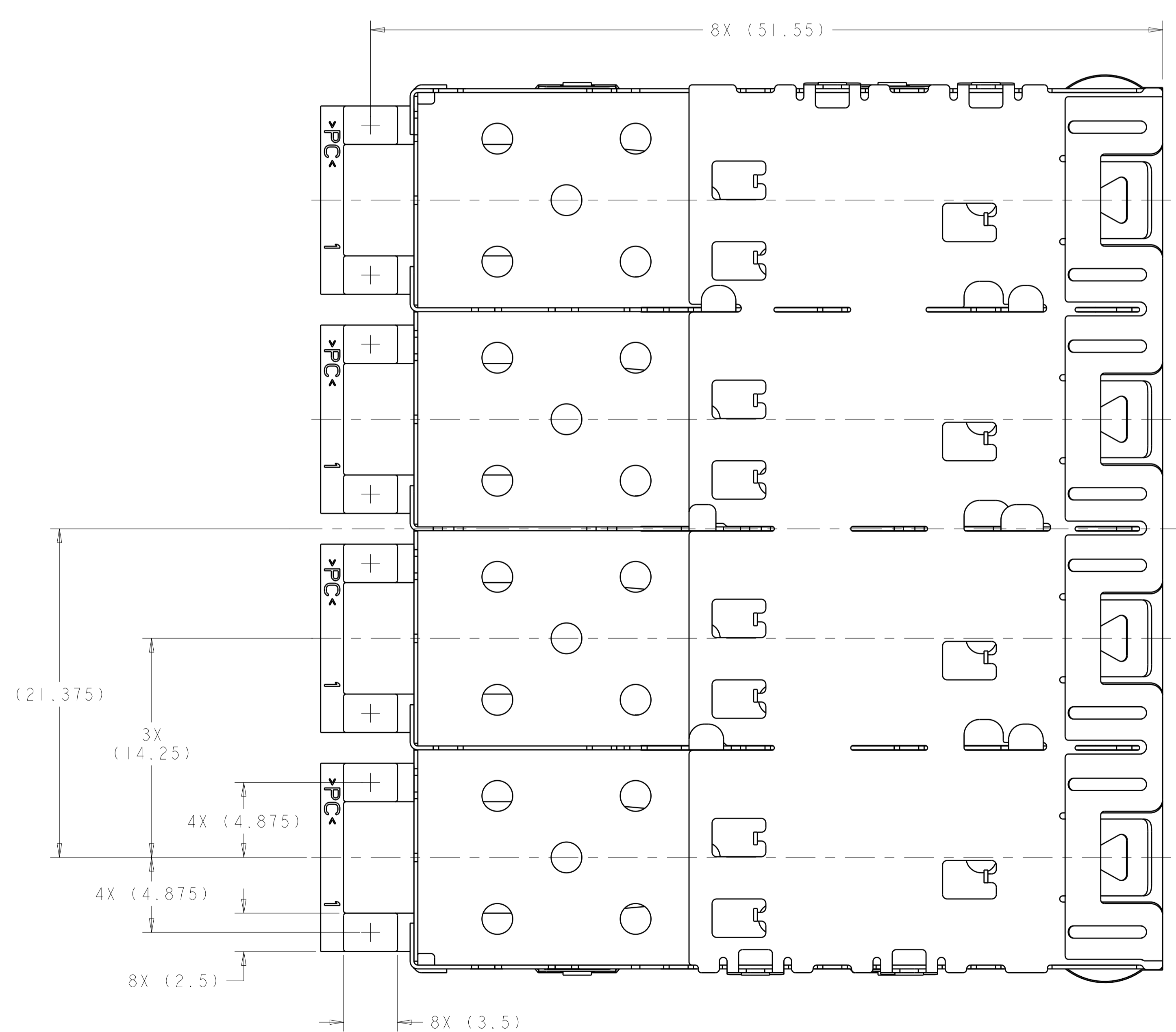
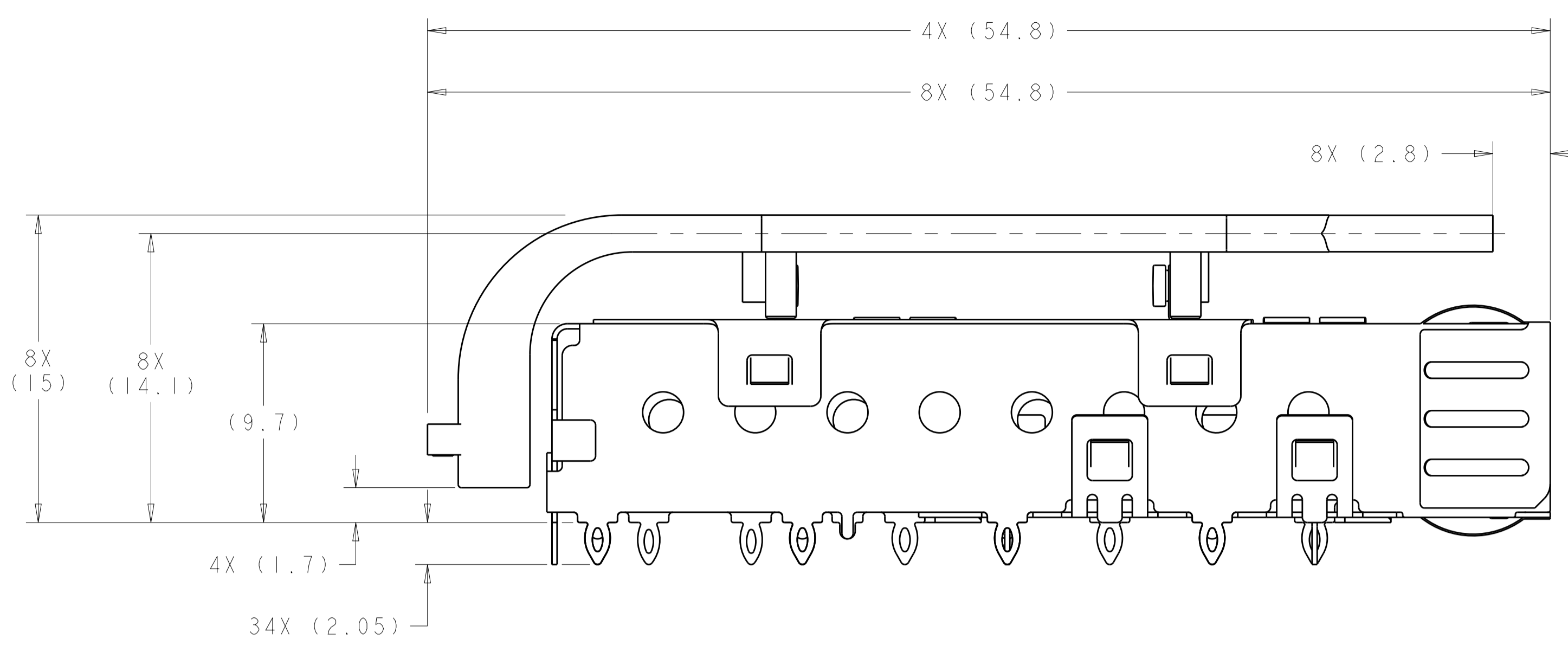
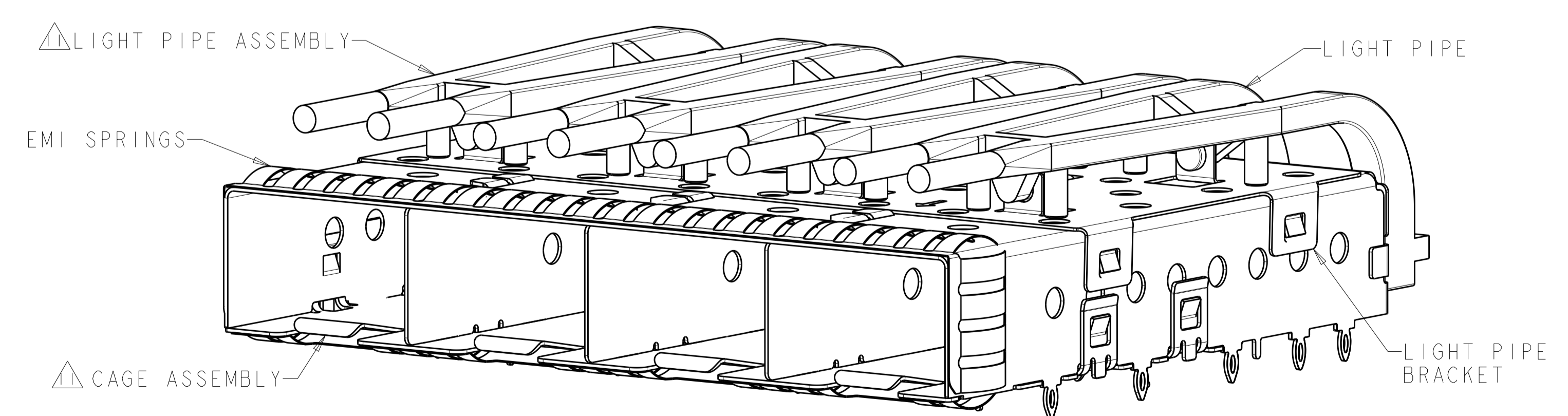


LOC		DIST		REVISIONS			
GP	00	P	LTN	DESCRIPTION	DATE	DWN	APVD
		A		RELEASED PER ECO-14-000529	14JAN2014	JZ	SH



- △ MATERIAL:
 CAGE ASSEMBLY: NICKEL SILVER ALLOY
 EMI SPRINGS: COPPER ALLOY
 LIGHT PIPE BRACKET: STAINLESS STEEL
 LIGHT PIPE: POLYCARBONATE, CLEAR
- △ FINISH:
 SPRINGS: MINIMUM OF 0.8um TIN PLATE OVER A MINIMUM OF 0.8um NICKEL UNDERPLATE.
 NON-PLATED EDGES PERMISSIBLE.
- △ PADS AND VIAS CHASSIS GROUND.
- △ DATUM AND BASIC DIMENSION ESTABLISHED BY CUSTOMER.
- 5. MATES WITH SFP MSA COMPLIANT TRANSCEIVERS.
- 6. INTERPRETATION OF DATUM REFERENCE FRAME IN ACCORDANCE WITH SECT 4.4.1.1 OF ASME Y14.5M-1994.
- △ REFERENCE APPLICATION SPEC. 114-13120, HOLE A, FOR RECOMMENDED DRILL HOLE DIAMETER AND PLATING THICKNESS.
- △ REFERENCE APPLICATION SPEC. 114-13120, HOLE B, FOR RECOMMENDED DRILL HOLE DIAMETER AND PLATING THICKNESS.
- △ HOLE PATTERN REPEATS FOR EACH PORT. SPACING BETWEEN PORTS IS 14.25mm.
- △ MINIMUM PC BOARD THICKNESS:
 SINGLE SIDED = 1.5mm
 DOUBLE SIDED = 2.25mm
- △ LIGHT PIPE ASSEMBLY SHIPPED UNASSEMBLED TO CAGE ASSEMBLY. CAGE ASSEMBLY TO BE PRESSED INTO THE PCB PRIOR TO ATTACHING THE LIGHT PIPE ASSEMBLY TO THE CAGE.
- 12. CERTAIN MATING TRANSCEIVERS MAY REQUIRE ADDITIONAL PCB THICKNESS THAT WOULD NEED TO BE DETERMINED BY THE CUSTOMER.

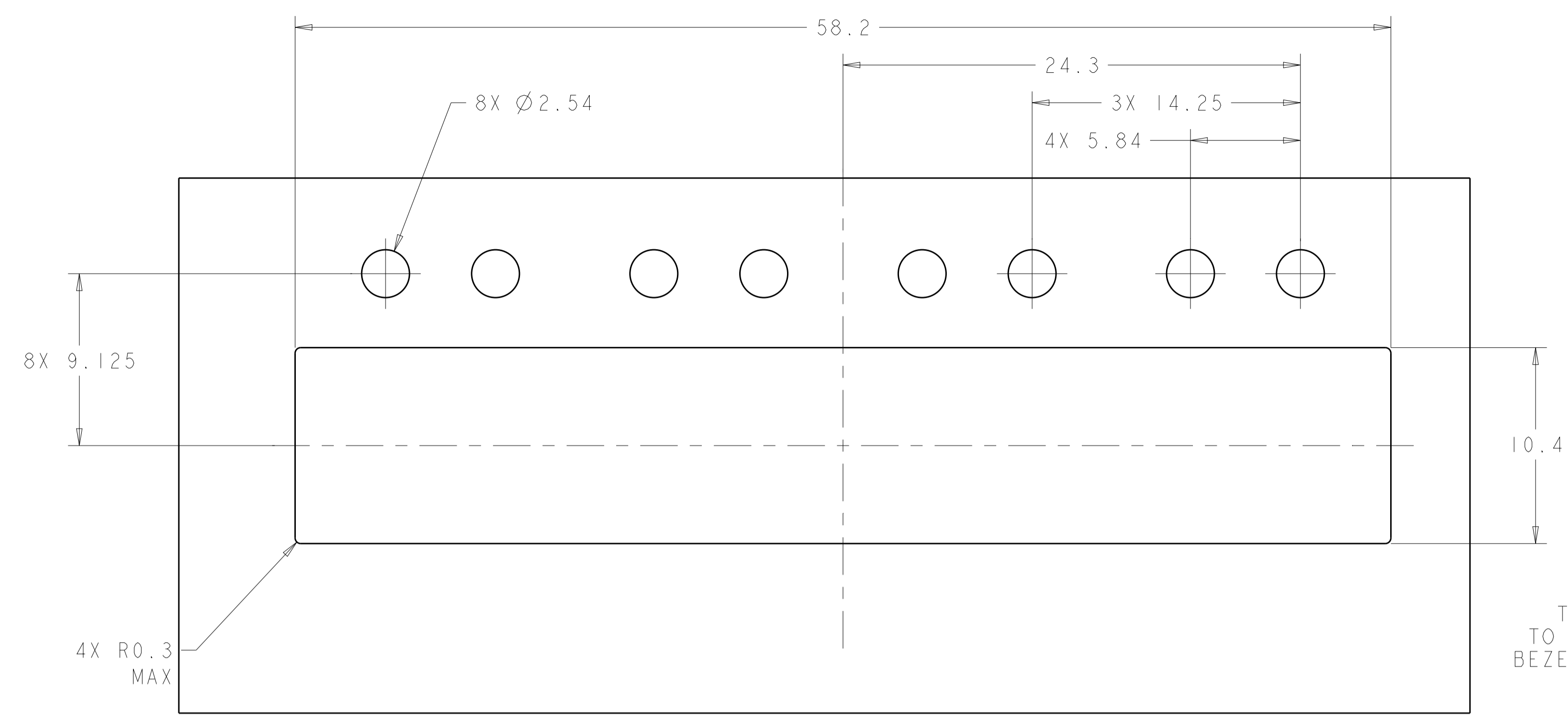


2110069-1
 SCALE 4:1

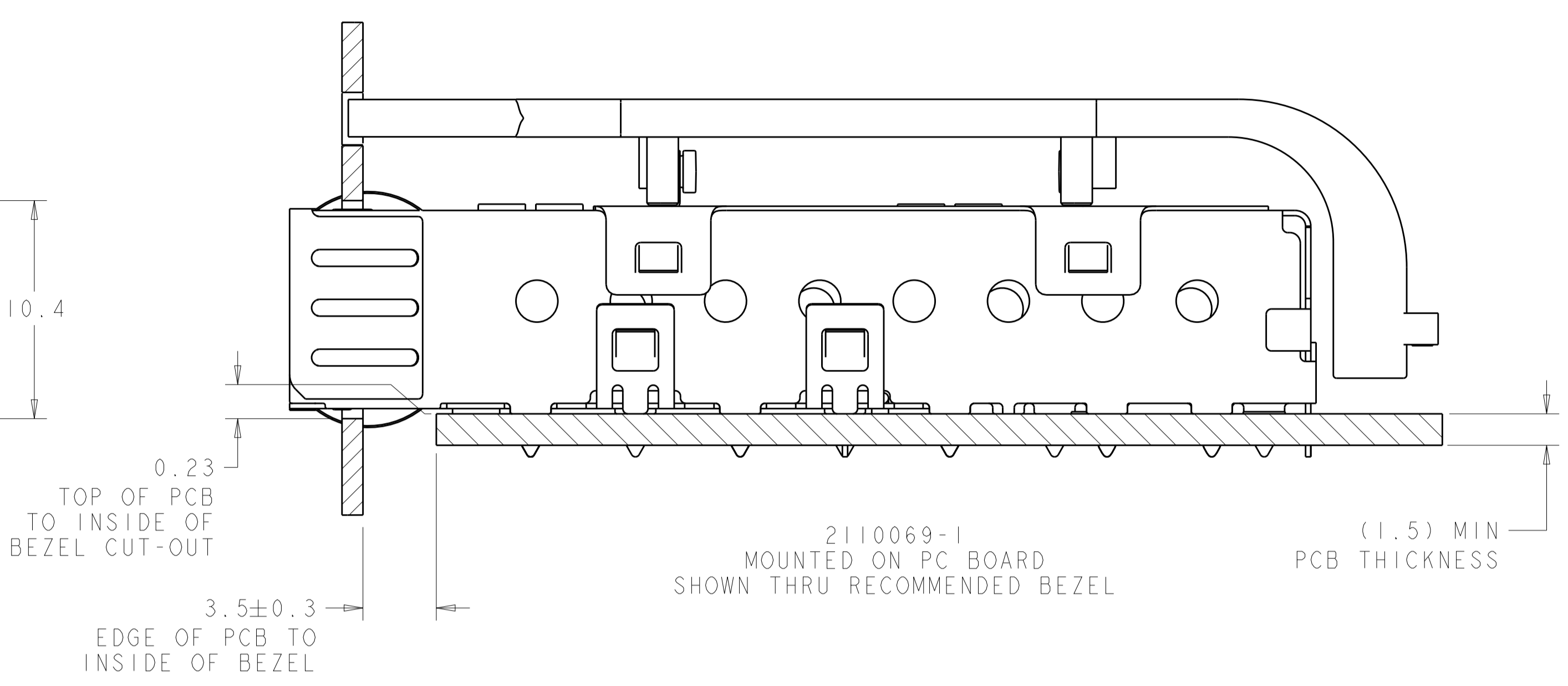
2110069-1
 PART NUMBER

THIS DRAWING IS A CONTROLLED DOCUMENT.		DWN	Z. M. BEAM	16JAN2009
DIMENSIONS:		CHK	M. BEAM	16JAN2009
mm	0 PLC ±0.1	APPV	R. WERTZ	16JAN2009
	1 PLC ±0.1	NAME		
	2 PLC ±0.1	PRODUCT SPEC		
	3 PLC ±0.1	108-2364		
	4 PLC ±0.1	APPLICATION SPEC		
	ANGLES ±0.1	114-13120		
MATERIAL	FINISH	WEIGHT	SIZE CAGE CODE DRAWING NO	
△	△		A100779C=2110069	
		Customer Drawing		RESTRICTED TO
		SCALE	SHEET	REV
		5:1	1 of 4	A

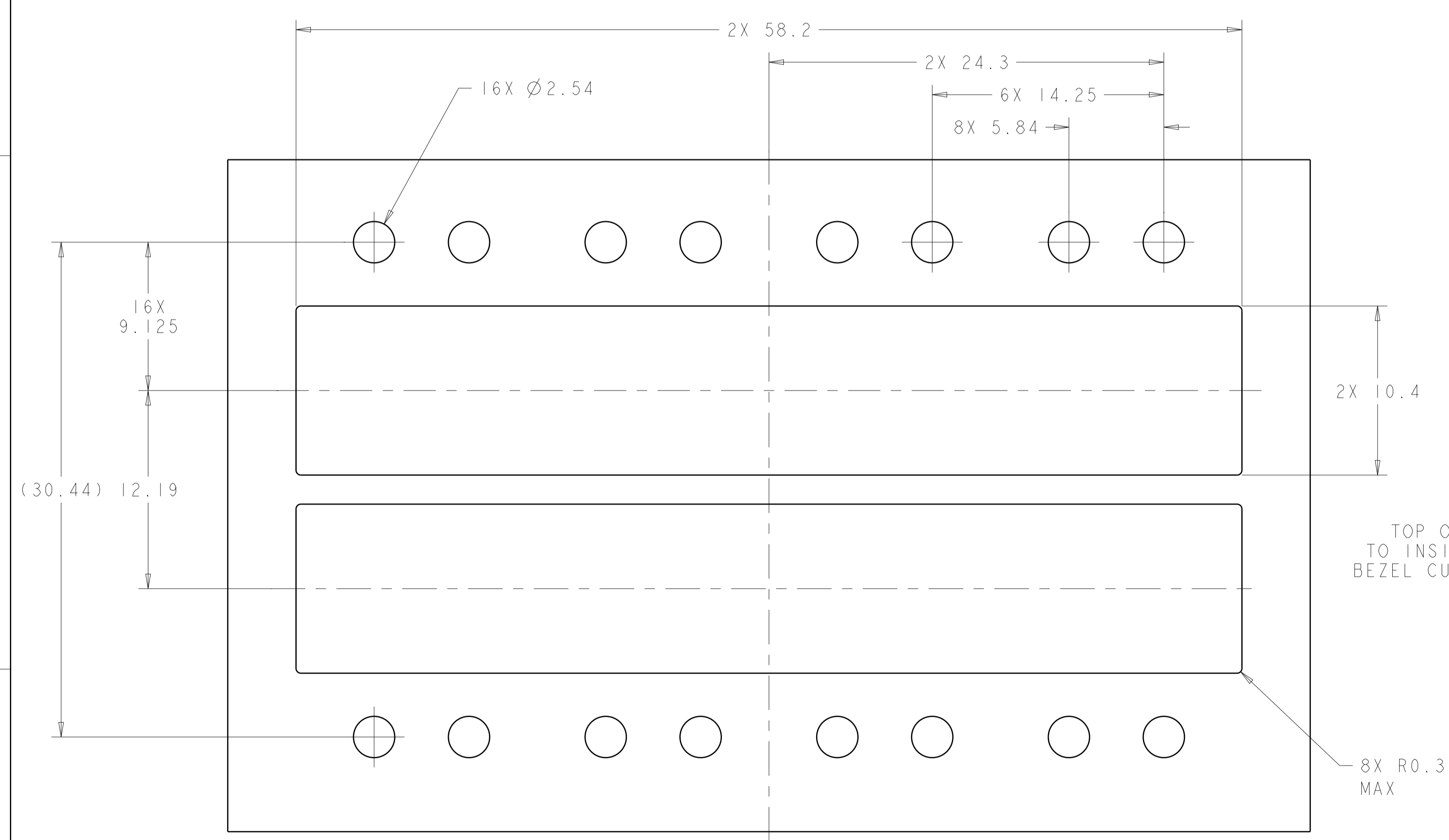
LOC	DIST	REVISIONS					
GP	00	P	LTN	DESCRIPTION	DATE	DMN	APVD
-	-	-	-	SEE SHEET 1	-	-	-



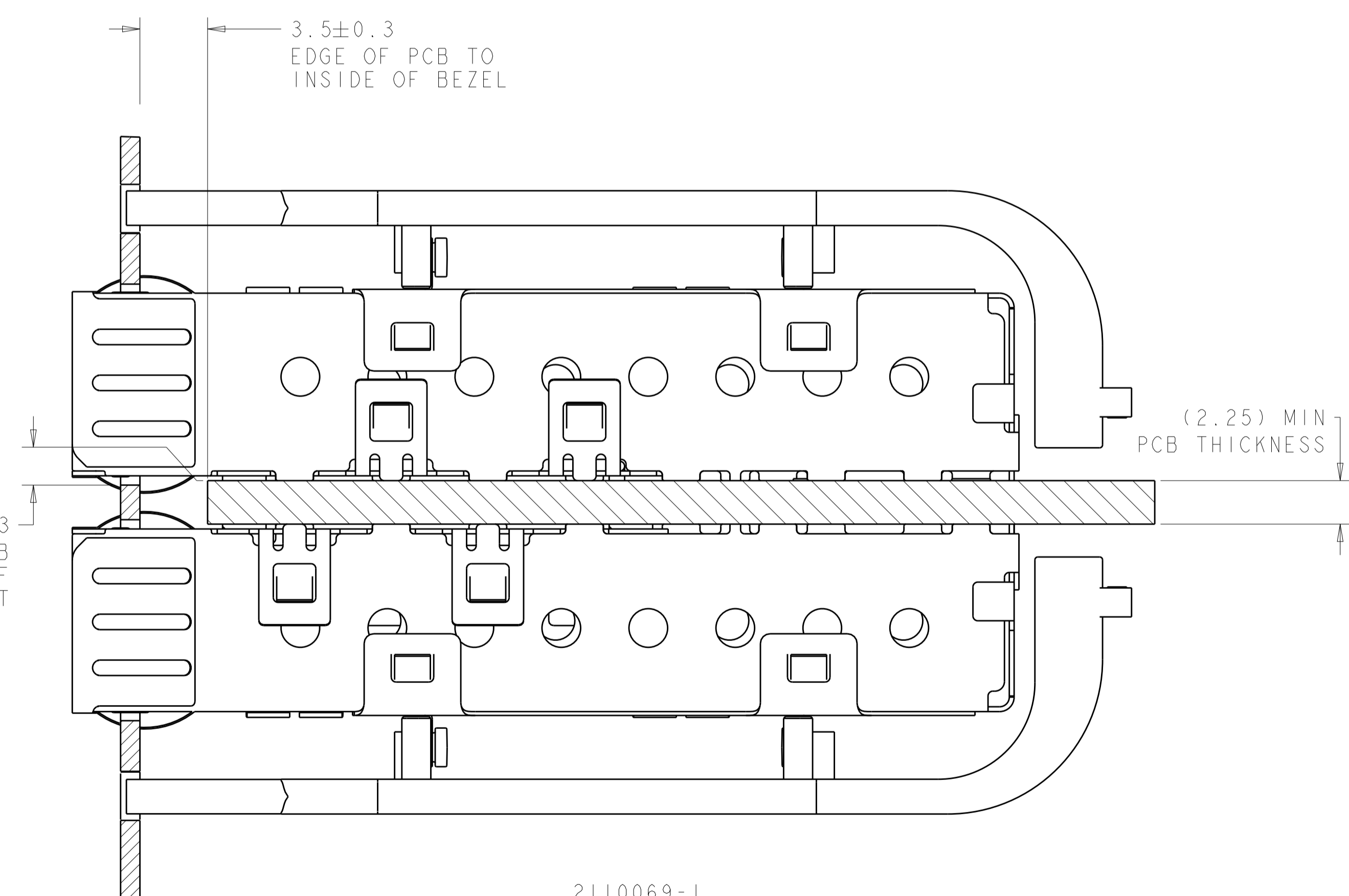
RECOMMENDED BEZEL CUT-OUT
SINGLE SIDED APPLICATIONS



2110069-1
MOUNTED ON PC BOARD
SHOWN THRU RECOMMENDED BEZEL



RECOMMENDED BEZEL CUT-OUT
BELLY TO BELLY APPLICATIONS

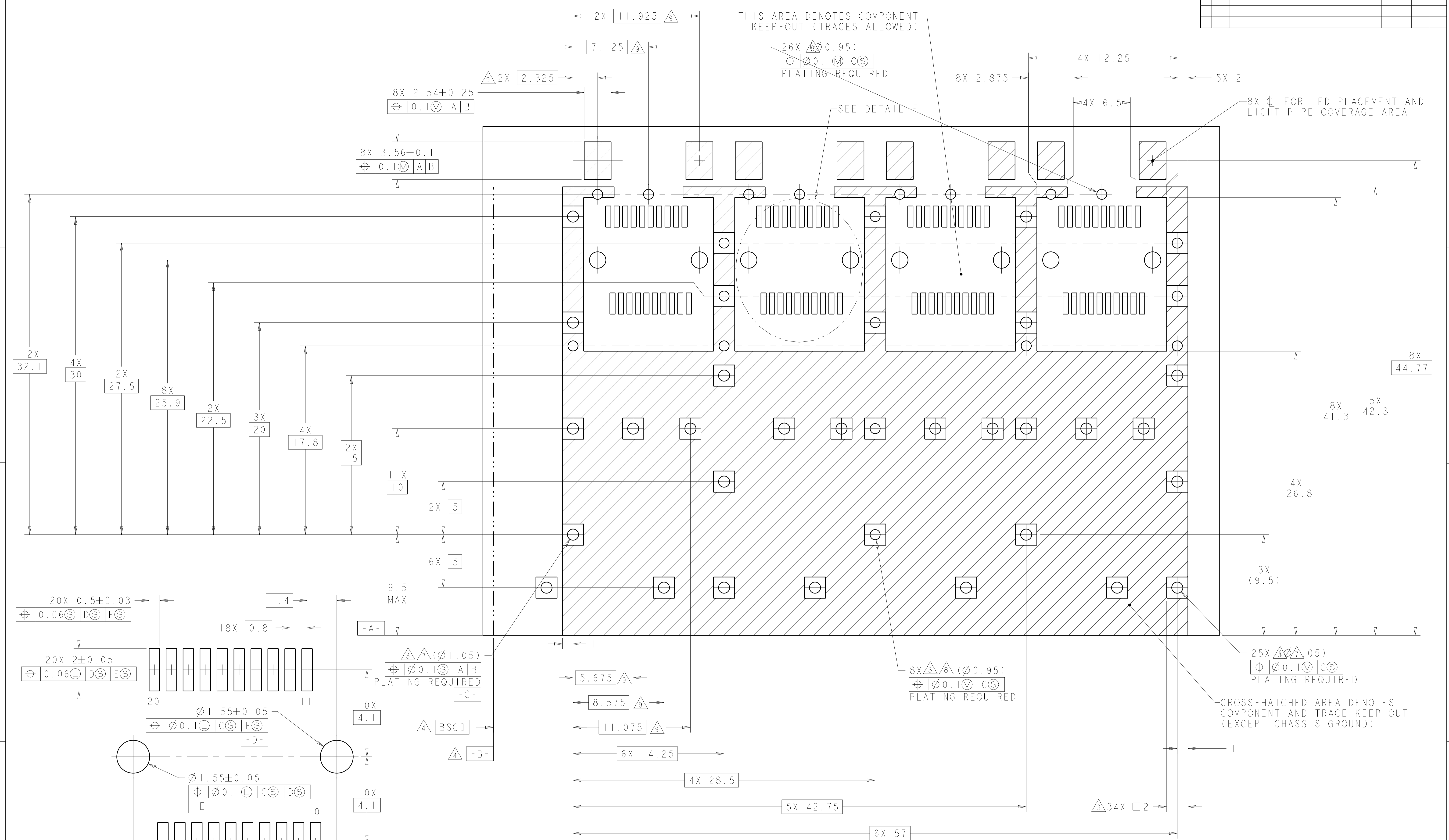


2110069-1
MOUNTED BELLY TO BELLY ON PC BOARD
SHOWN THRU RECOMMENDED BEZEL

THIS DRAWING IS A CONTROLLED DOCUMENT.		DMN Z. M. BEAM 16JAN2009	TE Connectivity	
DIMENSIONS:		CHK M. R. SCHMITT 16JAN2009		
mm	TOLERANCES UNLESS OTHERWISE SPECIFIED:	APVD P. H. WERTZ 16JAN2009	NAME SFP+ 1X4 CAGE ASSEMBLY PRESS-FIT, EXTERNAL EMI SPRINGS W/ REDUCED LENGTH LIGHT PIPE	
	0 PLC ±0.1 1 PLC ±0.1 2 PLC ±0.1 3 PLC ±0.1 4 PLC ±0.1 ANGLES ±1°	PRODUCT SPEC 108-2364 APPLICATION SPEC	SIZE 114-13120	
MATERIAL	FINISH	WEIGHT	RESTRICTED TO	
Customer Drawing		SCALE 5:1	SHEET 2 OF 4 REV A	

LOC	DIST	REV	DATE	BY	APPV
GP	00				

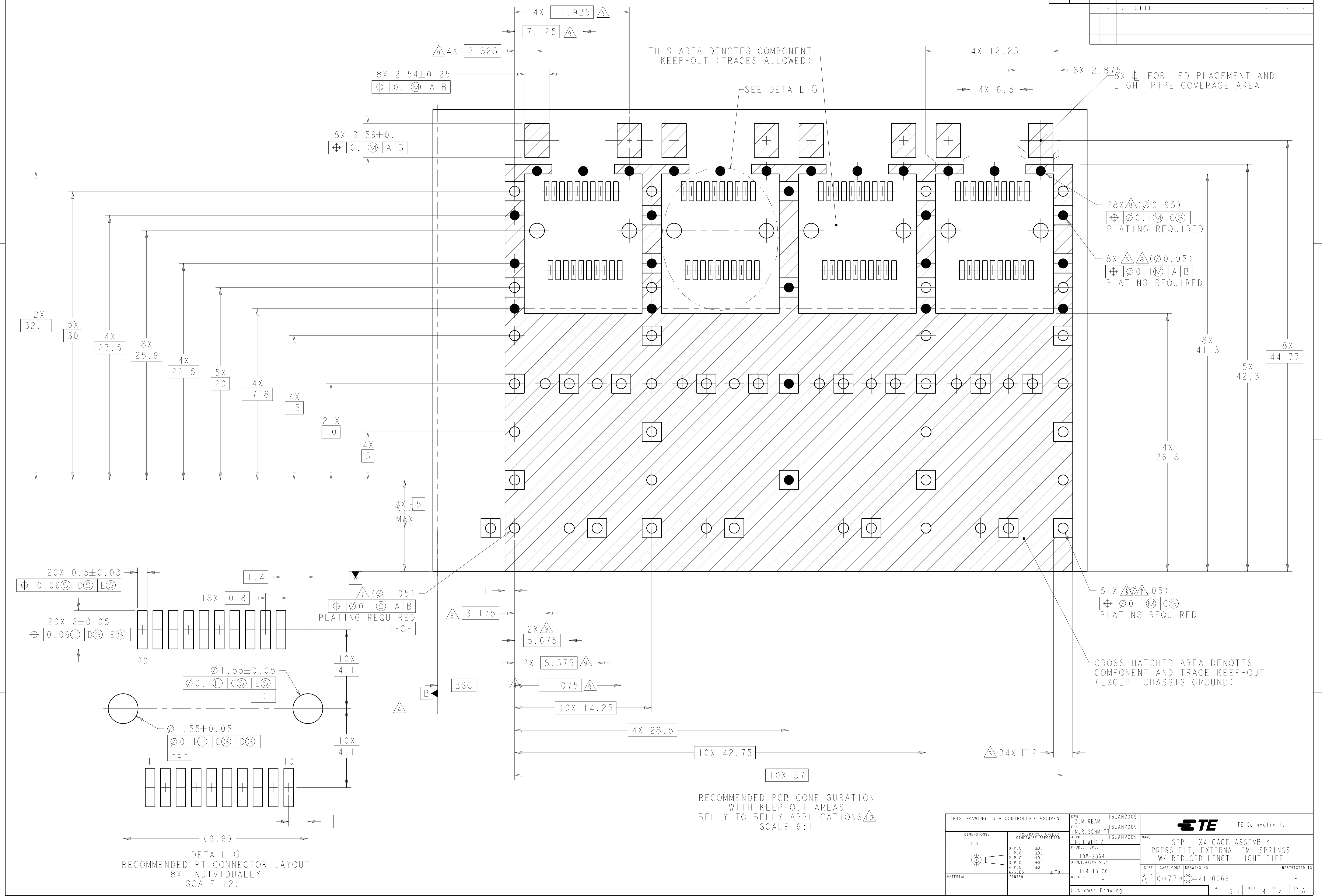
REVISIONS			
NO.	DESCRIPTION	DATE	BY
-	SEE SHEET 1	-	-



RECOMMENDED PCB CONFIGURATION
 WITH KEEP-OUT AREAS
 SINGLE SIDED APPLICATIONS \triangle
 SCALE 6:1

THIS DRAWING IS A CONTROLLED DOCUMENT.		OWN Z. M. REAM 16 JAN 2009	NAME SFP+ 1X4 CAGE ASSEMBLY PRESS-FIT, EXTERNAL EMI SPRINGS W/ REDUCED LENGTH LIGHT PIPE
DIMENSIONS: mm		CHK M. R. SCHMITT 16 JAN 2009	PRODUCT SPEC 108-2364
TOLERANCES UNLESS OTHERWISE SPECIFIED: 0 PLC ± 0.1 1 PLC ± 0.1 2 PLC ± 0.1 3 PLC ± 0.1 4 PLC ± 0.1 ANGLES ± 0.1		APVD B. H. WERTZ 16 JAN 2009	APPLICATION SPEC 114-13120
MATERIAL FINISH		WEIGHT	SIZE A100779C=2110069
Customer Drawing		SCALE 5:1	RESTRICTED TO SHEET 3 OF 4 REV A

LOC		DIST		REVISIONS			
GP	00	P	LTH	DESCRIPTION	DATE	DMN	APVD
		-		SEE SHEET 1			



THIS DRAWING IS A CONTROLLED DOCUMENT.		DMN Z. M. BEAM 16JAN2009	TE Connectivity NAME SFP+ 1X4 CAGE ASSEMBLY PRESS-FIT, EXTERNAL EMI SPRINGS W/ REDUCED LENGTH LIGHT PIPE SIZE CAGE CODE DRAWING NO A100779C=2110069 RESTRICTED TO Customer Drawing SCALE 5:1 SHEET 4 OF 4 REV A
DIMENSIONS:	TOLERANCES UNLESS OTHERWISE SPECIFIED:	CHK M. B. SCHMITZ 16JAN2009	
mm	0 PLC ±0.1 1 PLC ±0.1 2 PLC ±0.1 3 PLC ±0.1 4 PLC ±0.1 ANGLES ±0.1	APVD P. H. WERTZ 16JAN2009	
MATERIAL:	FINISH	PRODUCT SPEC 108-2364 APPLICATION SPEC 114-13120 WEIGHT	

Mouser Electronics

Authorized Distributor

Click to View Pricing, Inventory, Delivery & Lifecycle Information:

[TE Connectivity:](#)

[2110069-1](#)