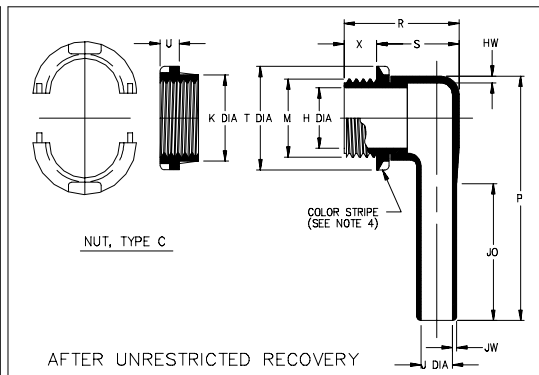
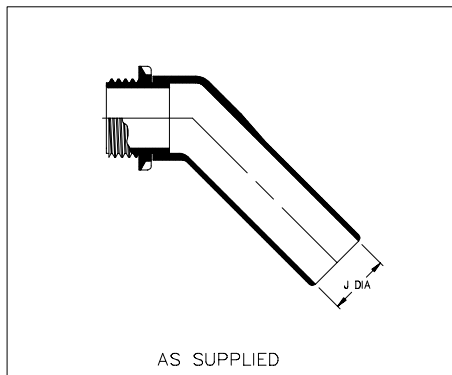


Thermofit[®] Molded Parts
Specification Control Drawing
Limited Distribution

Part Number : 227W213-X-A10
Description : 90° Feedthrough, Low Profile

NOTES

- All dimensions are in $\frac{\text{inches}}{\text{[millimeters]}}$
- Dimensions appearing in table are as follows:
a - As Supplied
b - After Unrestricted Recovery
- Type "C" nut supplied with part.
- Part shall have color stripe 1/8" wide x 360° around outside surface, located approx. as shown. (color to be yellow)



PART NUMBER	H Min b	J		JO ±10% b	M ±.03 b	P ±10% b	R Ref b	S Max b	T ±.03 b	X Min b	HW ±20% b	JW ±20% b	K Ref b	U ±10% b
		Min a	Max b											
227W213-X-A10	.39 [9,9]	.47 [11,9]	.25 [6,35]	1.35 [34,3]	.79 [20,1]	2.04 [51,8]	1.93 [49,0]	1.20 [30,5]	1.26 [32,0]	.78 [19,8]	.06 [1,5]	.04 [1,0]	.91 [23,1]	.28 [7,1]

Raychem

RAYCHEM CORPORATION
300 CONSTITUTION DRIVE
MENLO PARK, CALIFORNIA 94025

Revision : C
Date : 9/22/94

Part Number : 227W213-X-A10
Description : 90° Feedthrough, Low Profile

Thermofit[®] Molded Parts
Specification Control Drawing
Limited Distribution

Part Number : 227W213-X-A10
Description : 90° Feedthrough, Low Profile

COMPATABILITY CHART					
MATERIAL DASH NO.	MATERIAL DESCRIPTION	RT SPEC	COATING SLASH NO.	COATING S NO.	COATING DESCRIPTION
-3	Polyolefin, Semi-rigid	RT-301	N/A		

ORDERING INFORMATION

227W213 -3 -A10 /XX

Base part number _____

Material dash number _____
(See Compatability Chart)

Modification number _____
-A10 .25 to .50 thick bulkhead application

Adhesive slash number _____
(If necessary, see Compatability Chart)

THIS DRAWING IS SUBJECT TO CHANGE WITHOUT NOTICE; CONSULT YOUR
NEAREST FIELD REPRESENTATIVE FOR CURRENT REVISION

If this document is printed it becomes uncontrolled.
Check for the latest revision.

Raychem

RAYCHEM CORPORATION
300 CONSTITUTION DRIVE
MENLO PARK, CALIFORNIA 94025

Revision : C
Date : 9/22/94

Part Number : 227W213-X-A10
Description : 90° Feedthrough, Low Profile