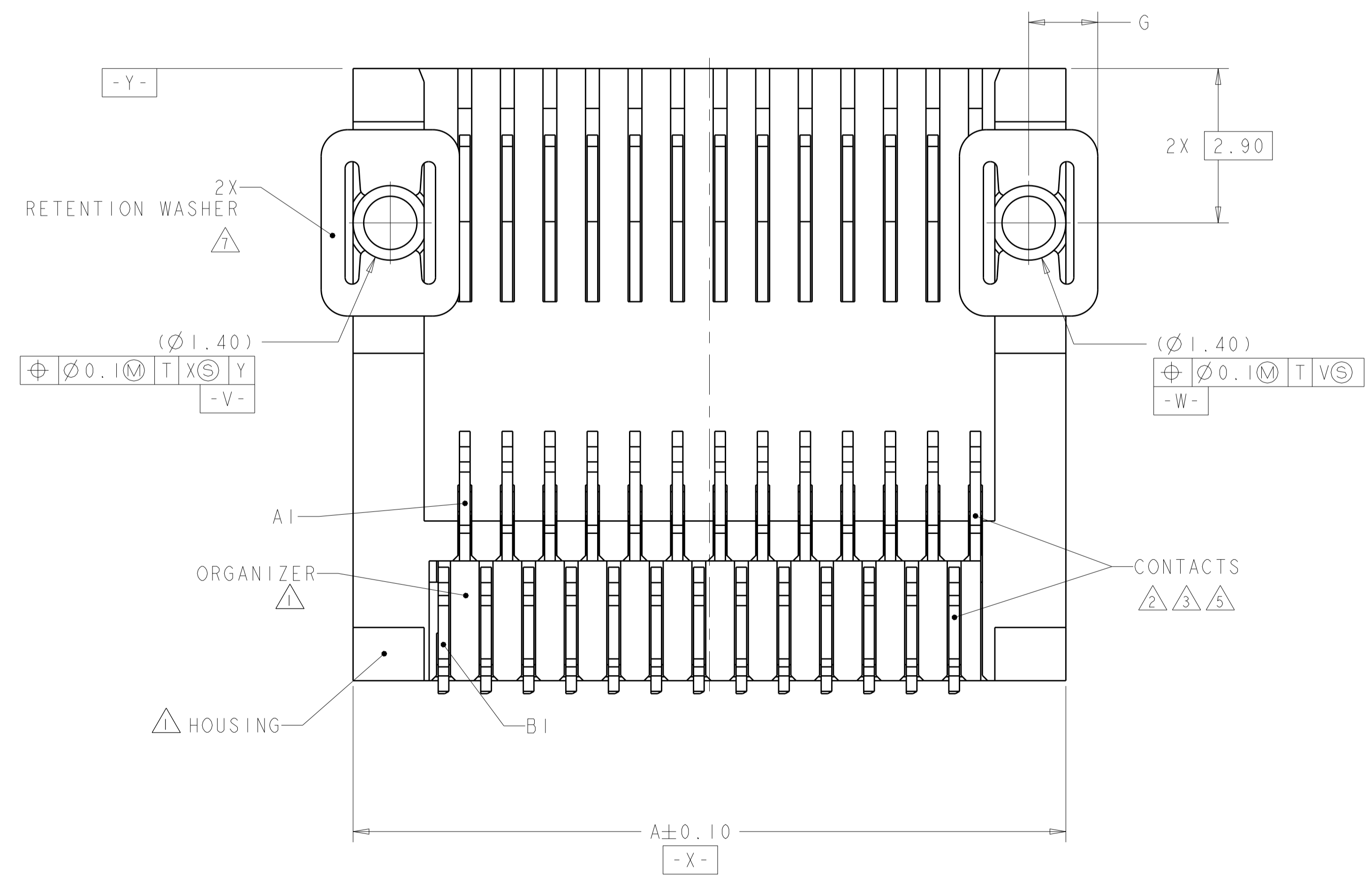
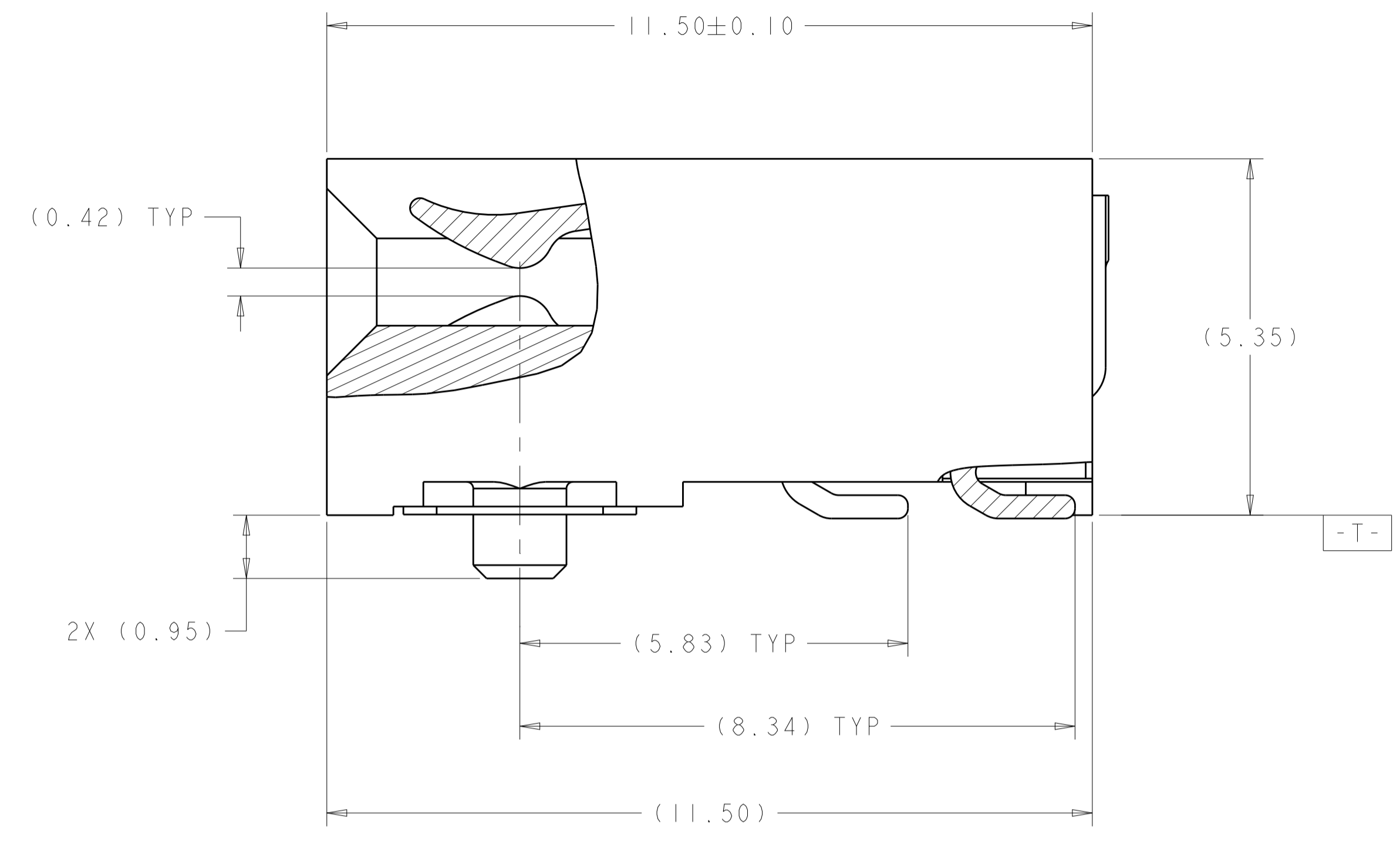
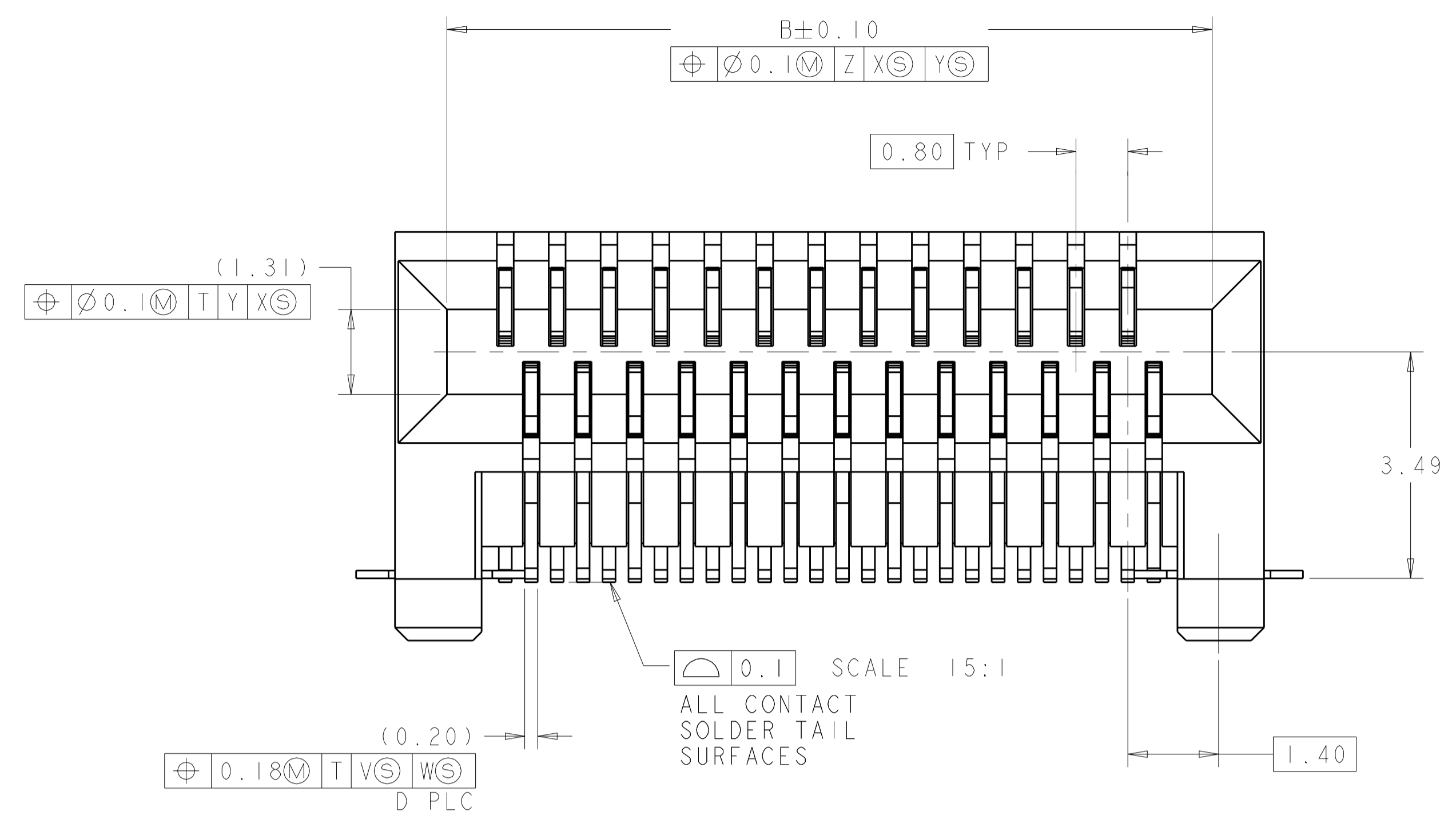


REVISIONS				
P.	LTN	DESCRIPTION	DATE	APVD
A		RELEASED PER ECO-09-022463	23OCT2009	CR DG
A1		RELEASED PER ECR-14-000965	22JAN2014	RG MC
B		REVISED PER ECO-16-017056	22NOV2016	RG SH



- 1 MATERIAL: LCP, BLACK.
- 2 MATERIAL: PHOSPHOR BRONZE PER ASTM B 103.
- 3 FINISH:  $0.76 \mu\text{m}$  MIN GOLD PLATE PER ASTM B 488, APPLIES TO INTERFACE AREA AND  $2.03 \mu\text{m}$  MIN TIN PLATE SOLDER TAILS, ALL OVER  $3.81 \mu\text{m}$  MIN NICKEL PLATE PER QQ-N-290.
- 4 DATUM AND BASIC DIMENSION ESTABLISHED BY CUSTOMER.
- 5 FINISH:  $0.38 \mu\text{m}$  MIN GOLD PLATE PER ASTM B 488, APPLIES TO INTERFACE AREA AND  $2.03 \mu\text{m}$  MIN TIN PLATE SOLDER TAILS, ALL OVER  $3.81 \mu\text{m}$  MIN NICKEL PLATE PER QQ-N-290.
- 6. TAPE AND REEL PACKAGED.
- 7 MATERIAL: NICKEL SILVER ALLOY. C77000.

FINISH	SIZE							PART NUMBER
	F	E	D	C	B	A	POSN	
5	68	28.8	68	14.8	28.6	30.2	68	1-2007570-5
	38	16.8	38	8.4	16.6	18.1	38	1-2007570-4
	54	23.2	54	11.6	23	24.6	54	1-2007570-3
	50	21.6	50	10.8	21.4	23	50	1-2007570-2
	36	16	36	8	15.8	17.4	36	1-2007570-1
3	26	12	26	6	11.8	13.4	26	1-2007570-0
	68	28.8	68	14.8	28.6	30.2	68	2007570-6
	38	16.8	38	8.4	16.6	18.1	38	2007570-5
	54	23.2	54	11.6	23	24.6	54	2007570-4
	50	21.6	50	10.8	21.4	23	50	2007570-3
	36	16	36	8	15.8	17.4	36	2007570-2
	26	12	26	6	11.8	13.4	26	2007570-1

THIS DRAWING IS A CONTROLLED DOCUMENT. DWG: J. POLIGNONE 17JAN08  
 CHK: E. BRIGHT 17JAN08  
 APVD: F. BRIGHT 17JAN08

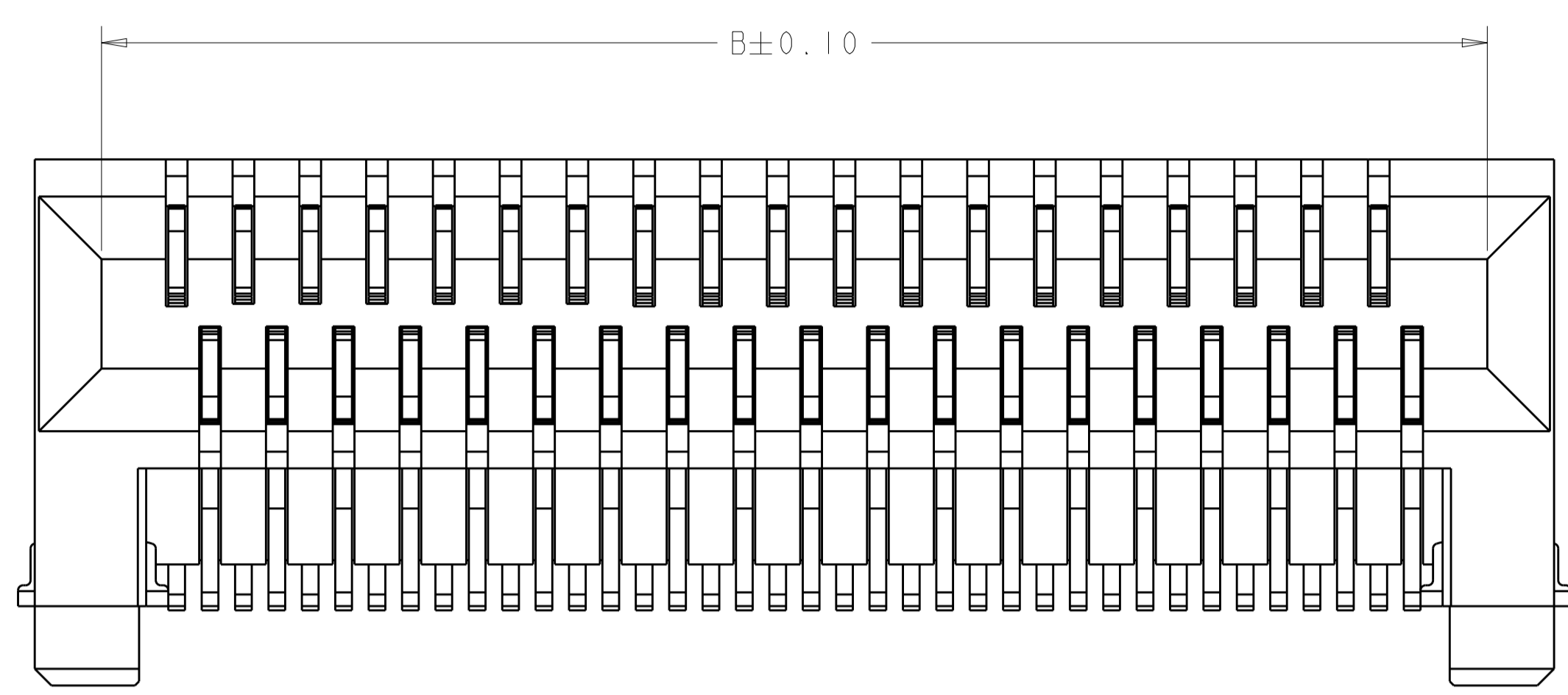
DIMENSIONS: mm  
 TOLERANCES UNLESS OTHERWISE SPECIFIED:  
 0 PLC  $\pm 0.25$   
 1 PLC  $\pm 0.13$   
 2 PLC  $\pm 0.13$   
 3 PLC  $\pm 0.13$   
 4 PLC  $\pm 0.13$   
 ANGLES  $\pm 0.1$   
 FINISH  $\pm 0.1$

MATERIAL: RD 2 7  
 FINISH: 3 5

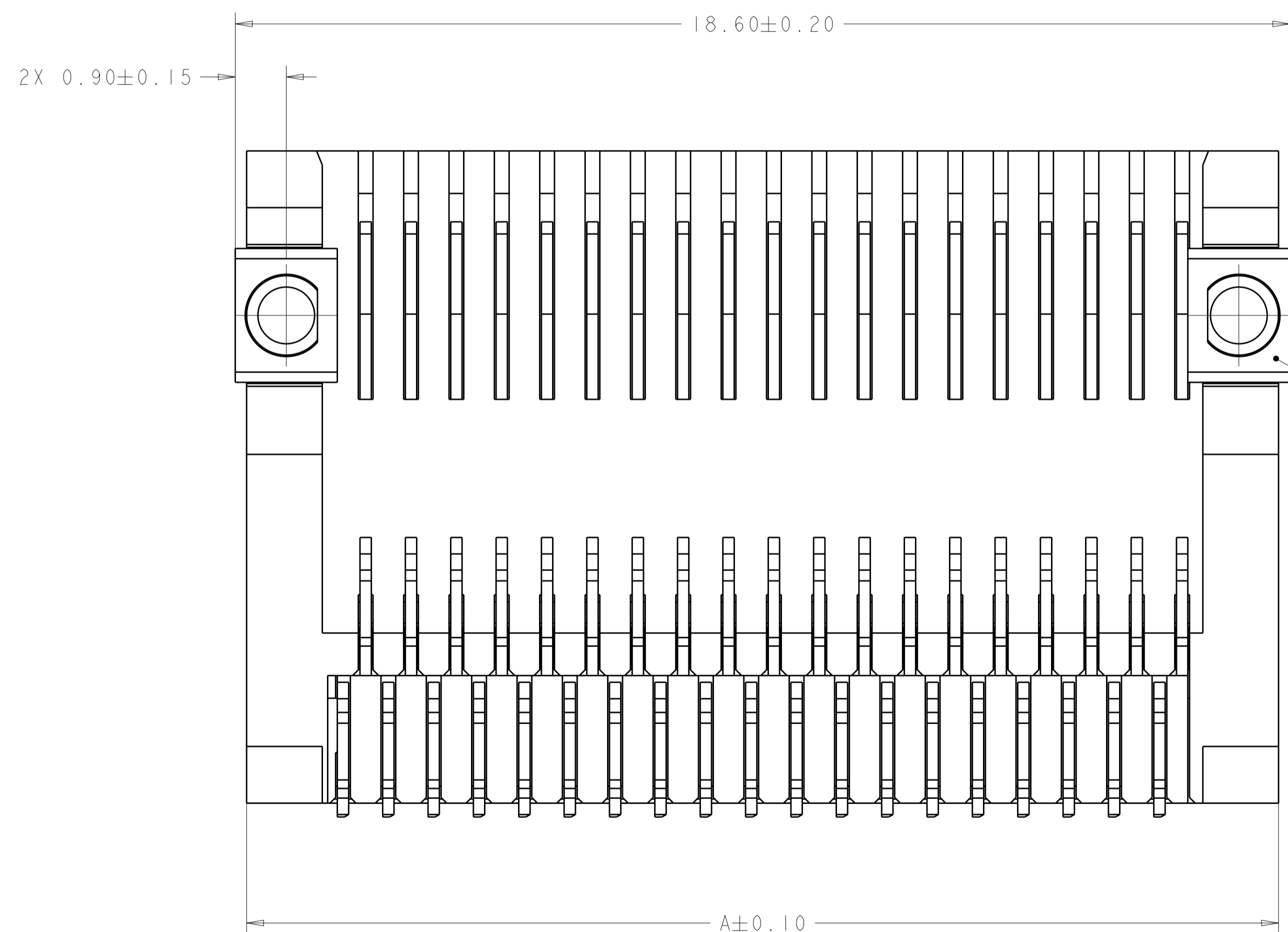
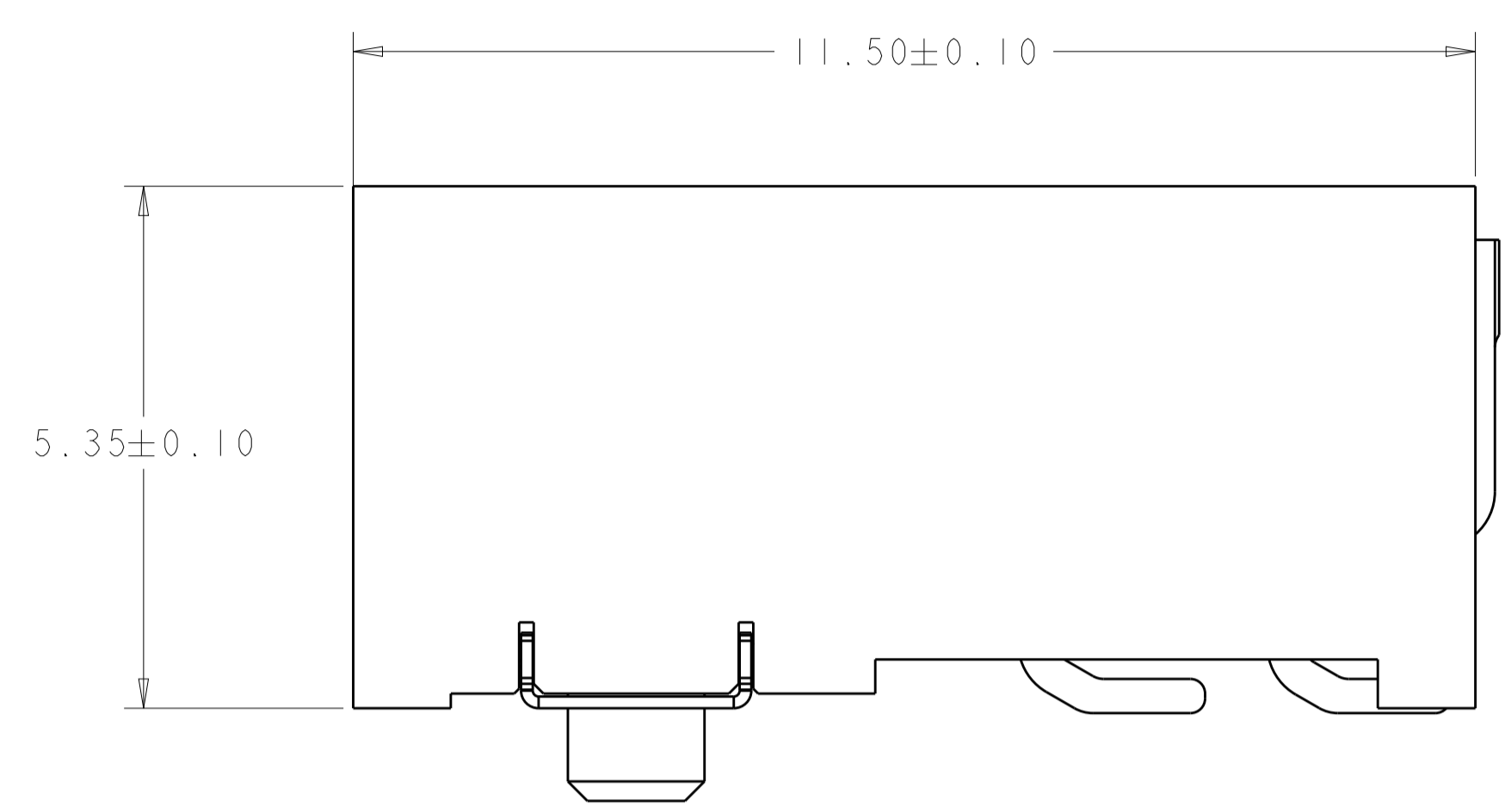
NAME: EVERCLEAR Mini-SAS, CONNECTOR ASSEMBLY, RECEPTACLE, RIGHT ANGLE, SURFACE MOUNT  
 SIZE: A1  
 CAGE CODE: 00779  
 DRAWING NO: C=2007570  
 WEIGHT: -  
 RESTRICTED TO: -

CUSTOMER DRAWING SCALE: 15:1 SHEET: 1 OF 3 REV: B

REVISIONS				
P.	LTN	DESCRIPTION	DATE	APVD
-	-	SEE SHEET 1	-	-



SCALE 15:1

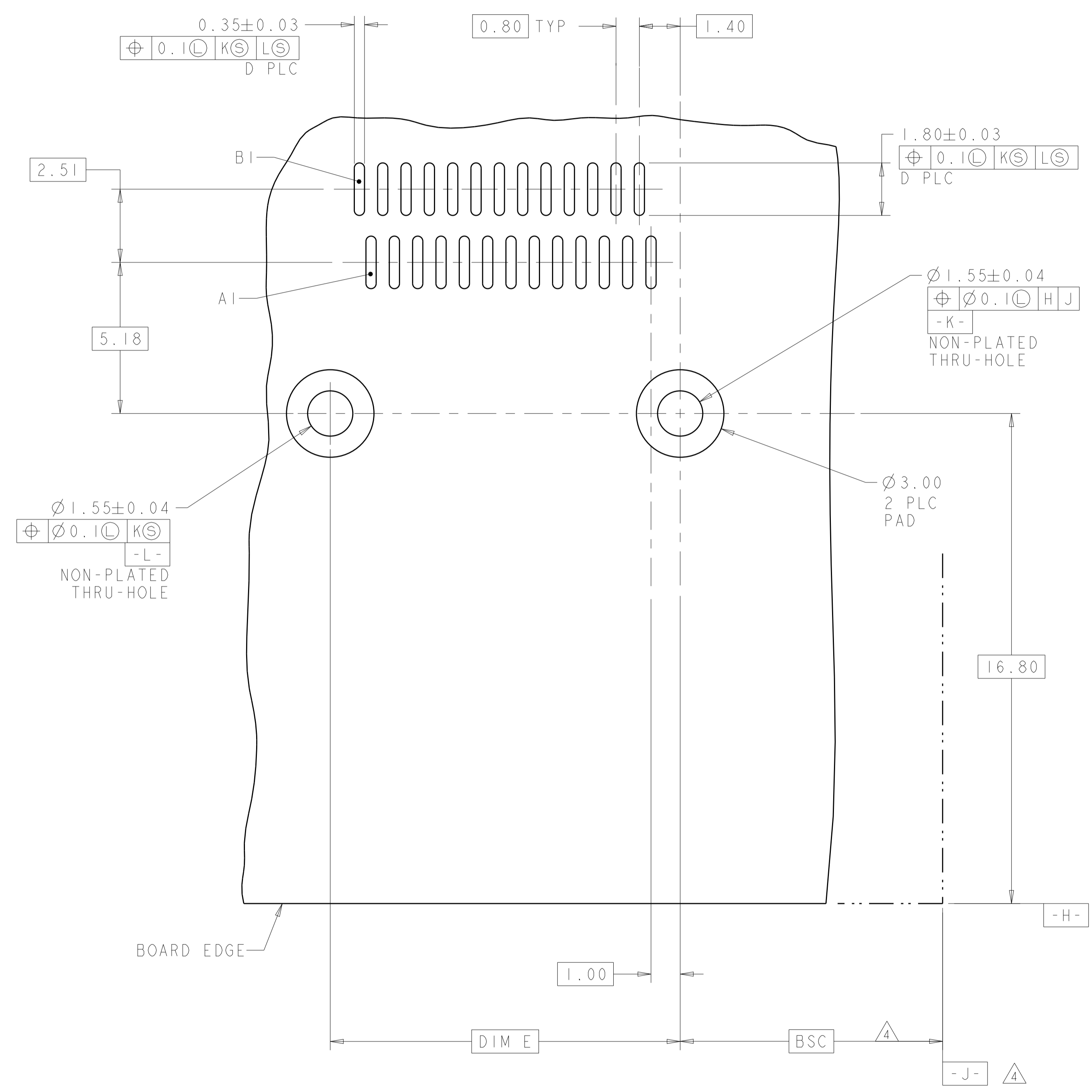


UN-SPECIFIED DIMENSION ALL REFER TO SHEET 1

5	38	16.8	38	8.4	16.6	18.1	38	1-2007570-6
3	38	16.8	38	8.4	16.6	18.1	38	2007570-7
FINISH	F	E	D	C	B	A	POSN	PART NUMBER

THIS DRAWING IS A CONTROLLED DOCUMENT.		DWN J. POLIGNONE 17JAN08 CHK E. BRIGHT 17JAN08 APVD F. BRIGHT 17JAN08	TE Connectivity
DIMENSIONS: mm 	TOLERANCES UNLESS OTHERWISE SPECIFIED: 0 PLC ± 1 PLC ±0.25 2 PLC ±0.13 3 PLC ± 4 PLC ± ANGLES ± FINISH	NAME EVERCLEAR Mini-SAS, CONNECTOR ASSEMBLY, RECEPTACLE, RIGHT ANGLE, SURFACE MOUNT PRODUCT SPEC APPLICATION SPEC WEIGHT CUSTOMER DRAWING	
MATERIAL TBD		SIZE A100779 CAGE CODE C=2007570 DRAWING NO.	RESTRICTED TO SCALE 15:1 SHEET 2 OF 3 REV B

REVISIONS				
P.	LTN	DESCRIPTION	DATE	APVD
-	-	SEE SHEET 1	-	-



RECOMMEND PCB LAYOUT  
 SCALE 10:1

THIS DRAWING IS A CONTROLLED DOCUMENT.		DWN J. POLIGNONE 17JAN08	TE Connectivity
DIMENSIONS:		CHK E. BRIGHT 17JAN08	
mm	TOLERANCES UNLESS OTHERWISE SPECIFIED:	APVD E. BRIGHT 17JAN08	NAME EVERCLEAR Mini-SAS, CONNECTOR ASSEMBLY, RECEPTACLE, RIGHT ANGLE, SURFACE MOUNT
0 PLC ± 1 PLC ±0.25 2 PLC ±0.13 3 PLC ± 4 PLC ± ANGLES ±	MATERIAL TBD	PRODUCT SPEC -	RESTRICTED TO -
	FINISH -	APPLICATION SPEC -	SIZE A100779C=2007570
		WEIGHT -	SCALE 10:1 SHEET 3 OF 3 REV B
		CUSTOMER DRAWING	

# Mouser Electronics

Authorized Distributor

Click to View Pricing, Inventory, Delivery & Lifecycle Information:

[TE Connectivity:](#)

[2007570-5](#)