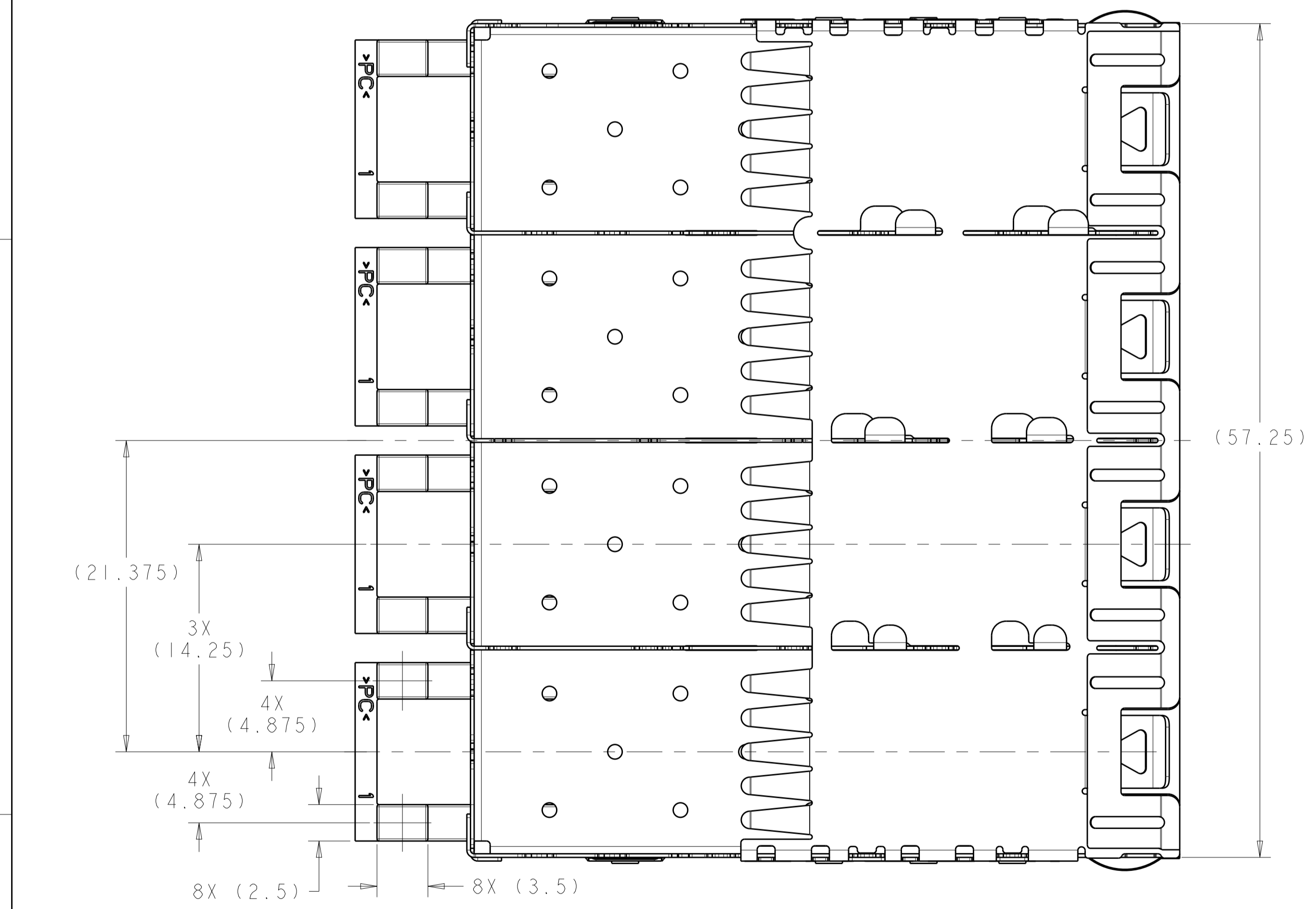
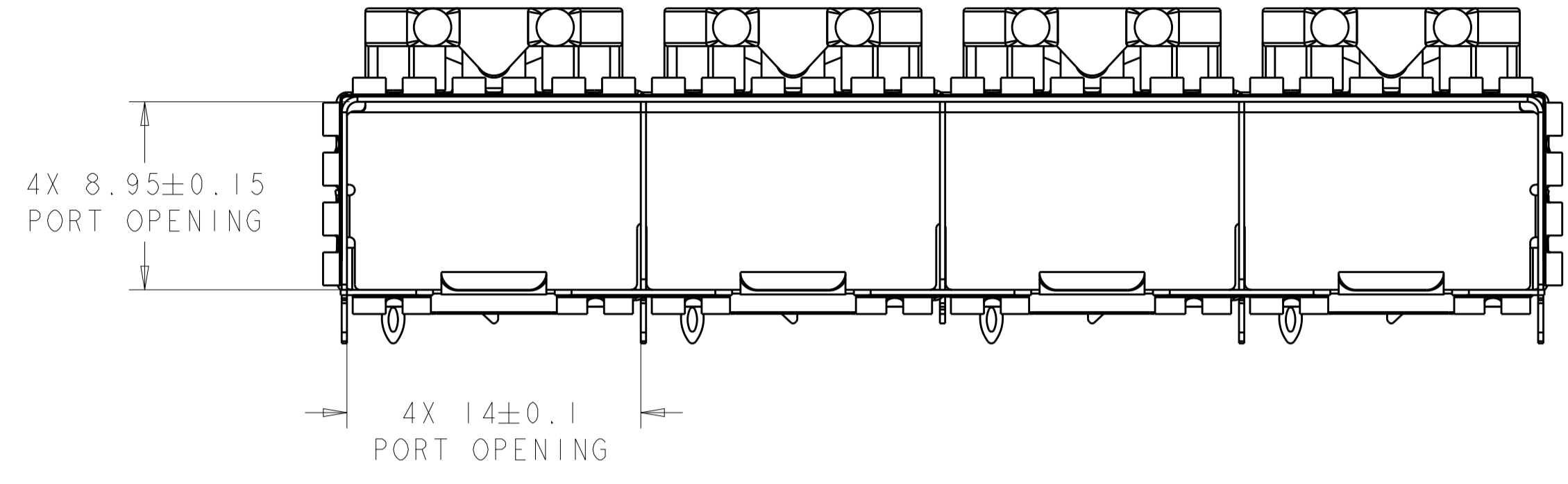
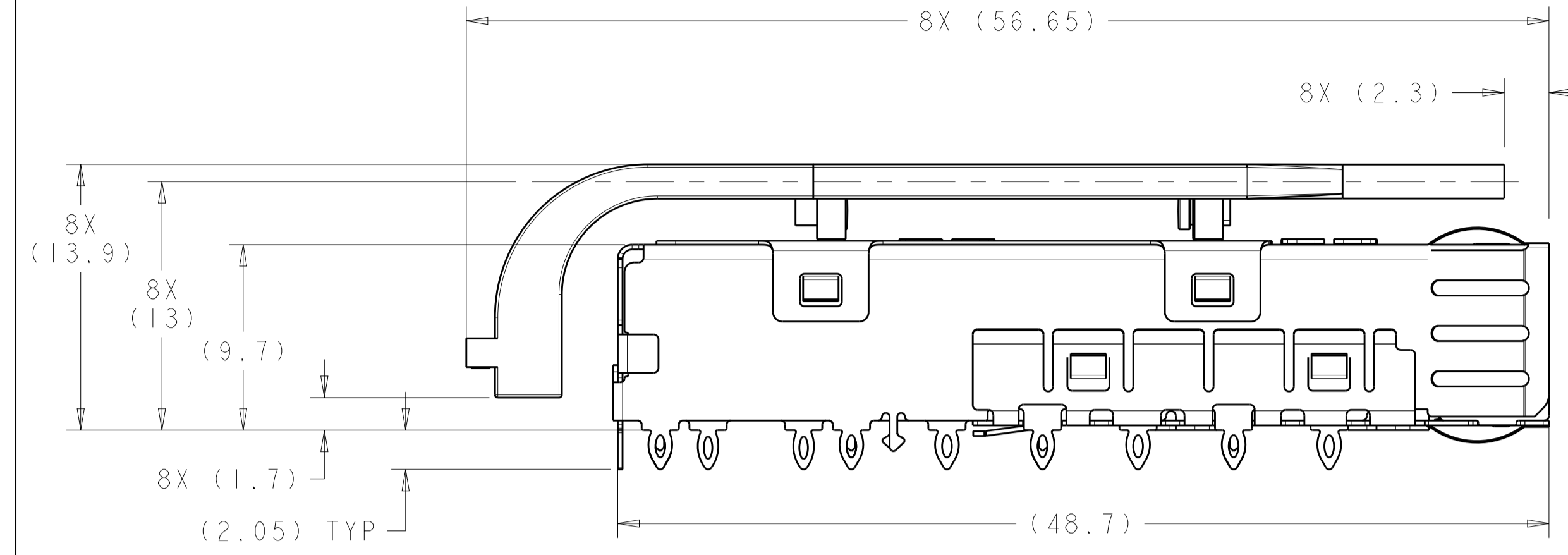
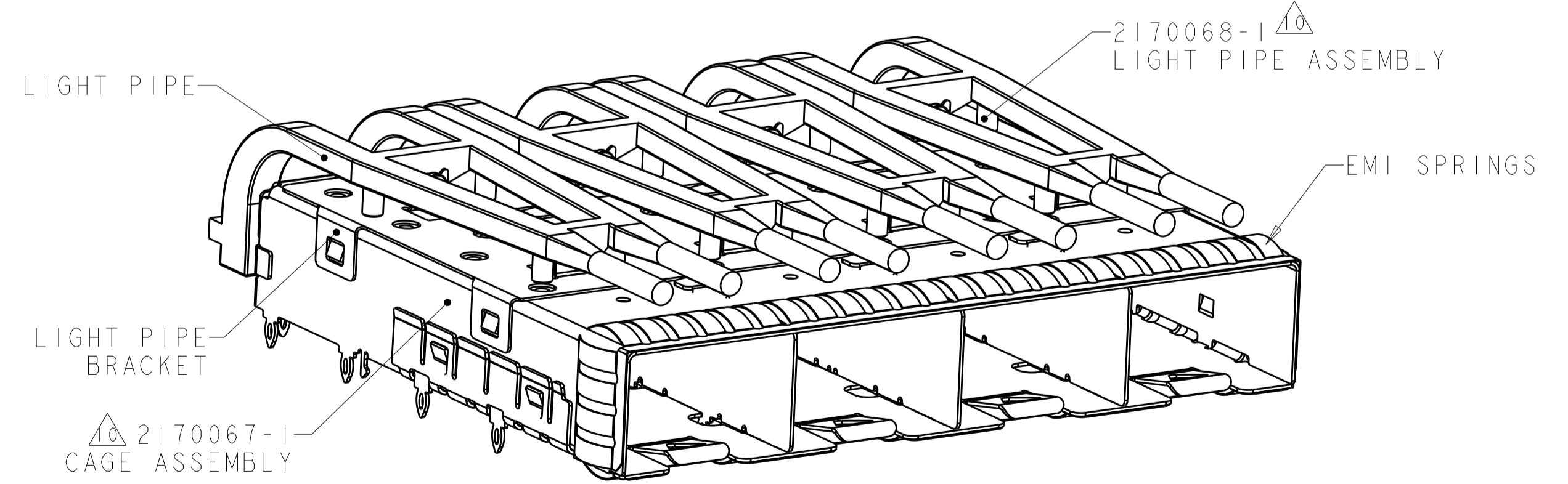


LOC		DIST		REVISIONS			
GP	00	P	LTH	DESCRIPTION	DATE	DMN	APVD
		1		PRELIMINARY RELEASE	09MAR2011	XT	WMO



- △ MATERIAL:  
 CAGE ASSEMBLY - 0.25mm THICK NICKEL SILVER ALLOY  
 EMI SPRING - PHOSPHOR BRONZE  
 LIGHT PIPE BRACKET - STAINLESS STEEL  
 LIGHT PIPE - POLYCARBONATE, CLEAR
- △ MINIMUM PC BOARD THICKNESS = 1.50mm.
- △ PADS AND VIAS CHASSIS GROUND.
- △ DATUM AND BASIC DIMENSION ESTABLISHED BY CUSTOMER.
- 5. MATES WITH SFP MSA COMPLIANT TRANSCEIVERS.
- 6. INTERPRETATION OF DATUM REFERENCE FRAME IN ACCORDANCE WITH SECT 4.4.1.1 OF ASME Y14.5M-1994.
- △ REFERENCE APPLICATION SPEC. 114-13120, HOLE A, FOR RECOMMENDED DRILL HOLE DIAMETER AND PLATING THICKNESS.
- △ REFERENCE APPLICATION SPEC. 114-13120, HOLE B, FOR RECOMMENDED DRILL HOLE DIAMETER AND PLATING THICKNESS.
- △ HOLE PATTERN REPEATS FOR EACH PORT. SPACING BETWEEN PORTS IS 14.25mm.
- △ LIGHT PIPE ASSEMBLY SHIPPED UNASSEMBLED TO CAGE ASSEMBLY. CAGE ASSEMBLY TO BE PRESSED INTO THE PCB PRIOR TO ATTACHING THE LIGHT PIPE ASSEMBLY TO THE CAGE.
- 11. PRODUCT HAS NOT COMPLETED QUALIFICATION TESTING.

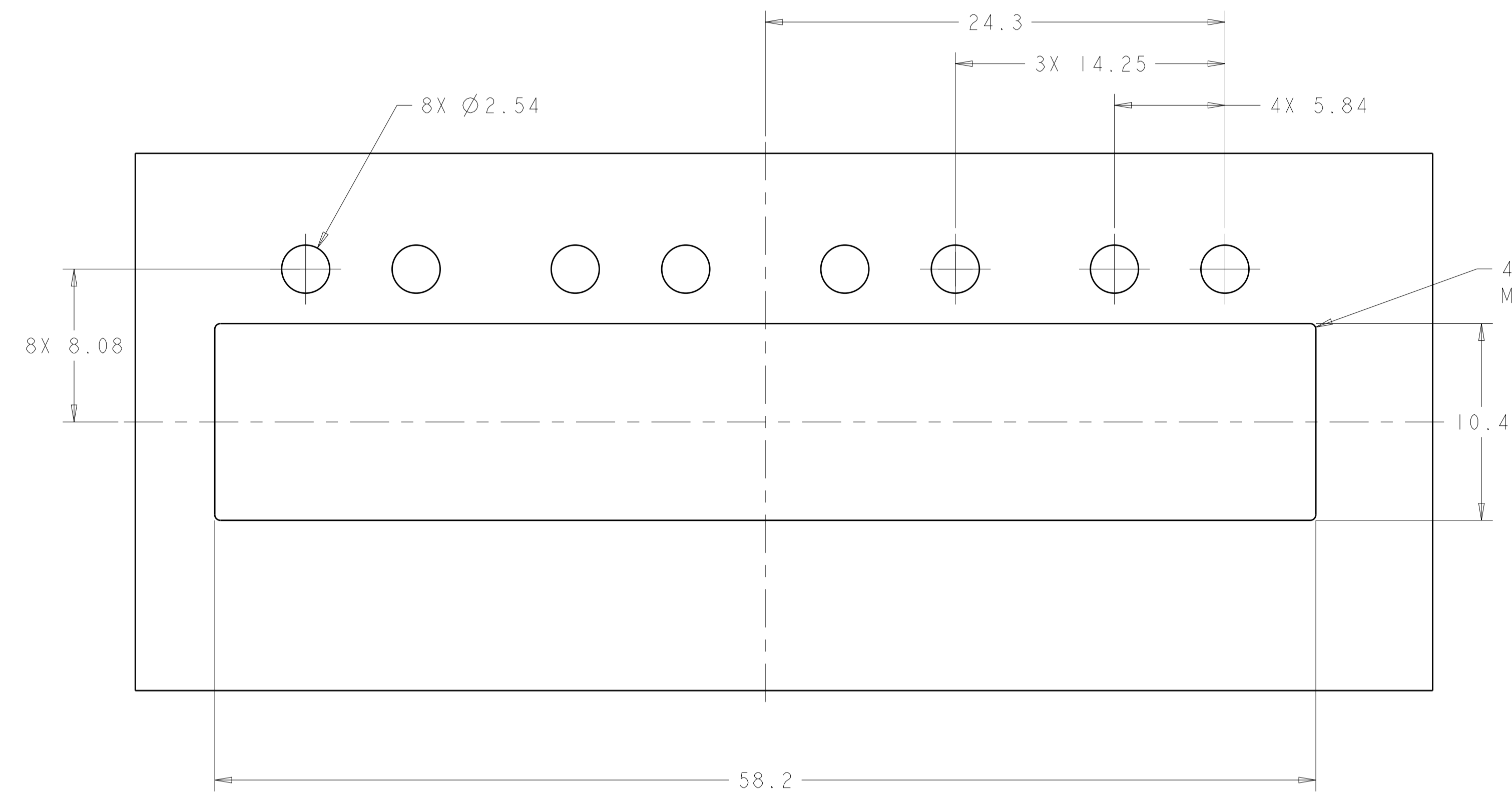


2170066-1  
 FINISHED ASSEMBLY  
 SCALE 3:1

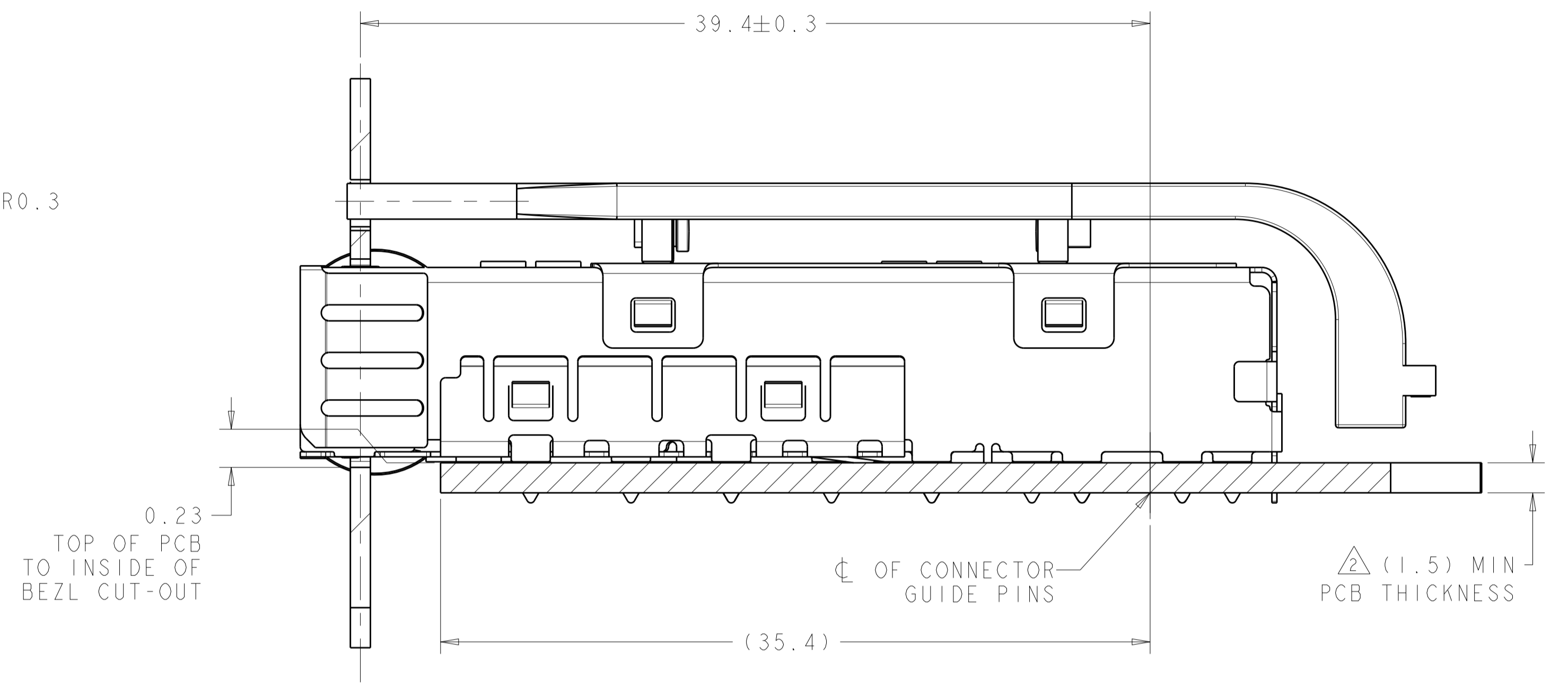
2170066-1  
 PART NUMBER

<small>THIS DRAWING IS UNPUBLISHED. RELEASED FOR PUBLICATION BY TYCO ELECTRONICS CORPORATION. ALL RIGHTS RESERVED.</small>		DMN: TIM XUE 09MAR2011 CHK: MANQIAN WANG 09MAR2011 APVD: MANQIAN WANG 09MAR2011	Tyco Electronics Shanghai, PRC 200233
DIMENSIONS: mm 0 PLC ±0.1 1 PLC ±0.1 2 PLC ±0.1 3 PLC ±0.1 4 PLC ±0.1 ANGLES ±1.0 FINISH:	TOLERANCES UNLESS OTHERWISE SPECIFIED:	NAME: SFP+ ENHANCED 1X4 CAGE ASSEMBLY, PRESS-FIT, EMI GASKET, LOW PROFILE LIGHT PIPES PRODUCT SPEC: 108-2364 APPLICATION SPEC: 114-13120 WEIGHT:	SIZE: CAGE CODE DRAWING NO: A100779 C=2170066 RESTRICTED TO:
MATERIAL:		SCALE: 2:1 SHEET: 1 OF 3 REV: A	Customer Drawing

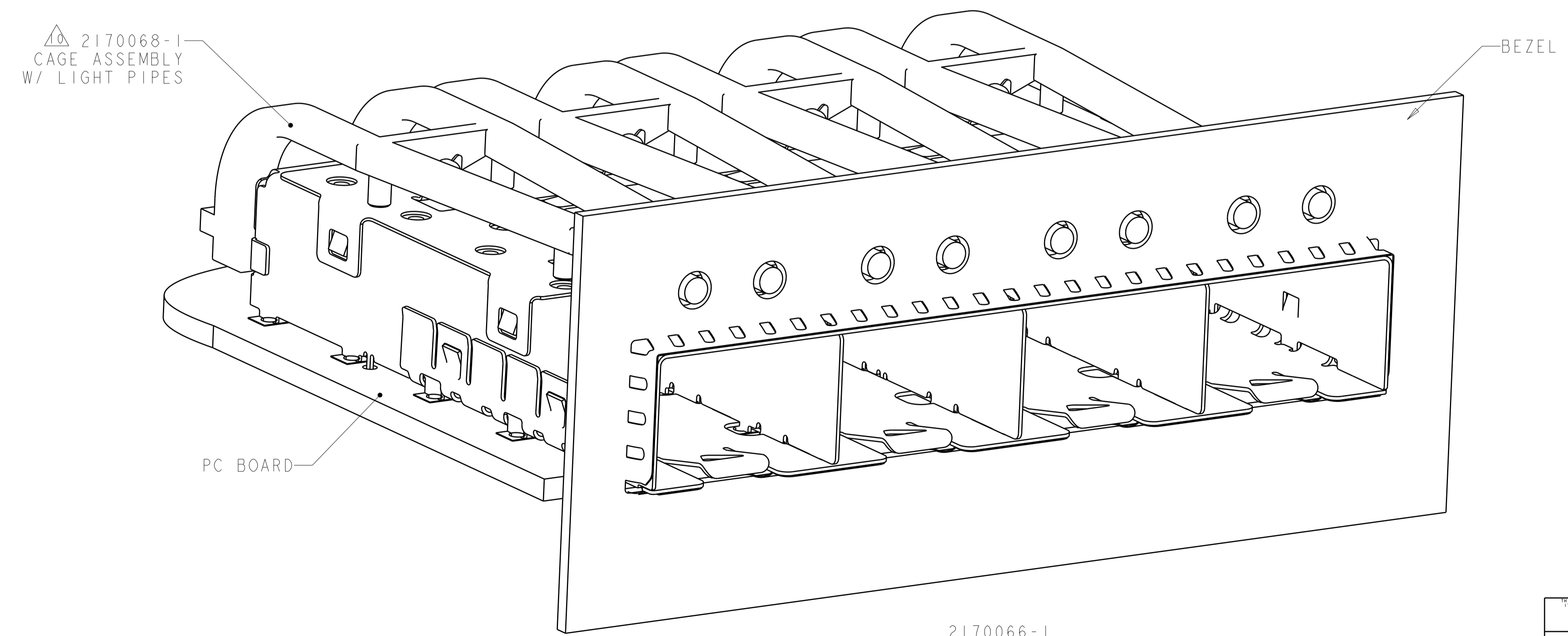
LOC	DIST	REVISIONS					
GP	00	P	LTN	DESCRIPTION	DATE	DMN	APVD
		-		SEE SHEET 1			



RECOMMENDED BEZEL CUT-OUT  
 SINGLE SIDIED APPLICATIONS



2170066-1  
 MOUNTED ON PC BOARD  
 SHOWN THRU RECOMMENDED BEZEL  
 SECTION



2170066-1  
 MOUNTED ON PC BOARD, SHOWN  
 THRU RECOMMENDED BEZEL

<small>THIS DRAWING IS UNPUBLISHED. RELEASED FOR PUBLICATION BY TYCO ELECTRONICS CORPORATION. ALL RIGHTS RESERVED.</small>		DWN: TIM XUE 09MAR2011 CHK: MANQIAN WANG 09MAR2011 APVD: MANQIAN WANG 09MAR2011	Tyco Electronics Shanghai, PRC 200233
DIMENSIONS: mm	TOLERANCES UNLESS OTHERWISE SPECIFIED: 0 PLC ±0.1 1 PLC ±0.1 2 PLC ±0.1 3 PLC ±0.1 4 PLC ±0.1 ANGLES ±1.0 FINISH	NAME: SFP+ ENHANCED 1X4 CAGE ASSEMBLY, PRESS-FIT, EMI GASKET, LOW PROFILE LIGHT PIPES PRODUCT SPEC: 108-2364 APPLICATION SPEC: 114-13120 WEIGHT:	SIZE: A CAGE CODE: 00779 DRAWING NO: C=2170066 RESTRICTED TO:
MATERIAL:		Customer Drawing	SCALE: 2:1 SHEET 2 OF 3 REV: A



# Mouser Electronics

Authorized Distributor

Click to View Pricing, Inventory, Delivery & Lifecycle Information:

[TE Connectivity:](#)

[2170066-1](#)