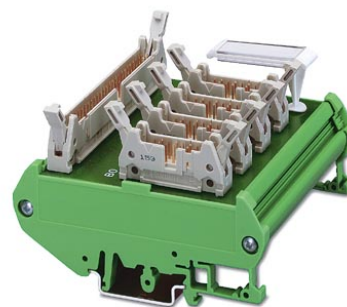


# FLKM 50/4-FLK14/PLC

Order No.: 2284594



<http://eshop.phoenixcontact.de/phoenix/treeViewClick.do?UID=2284594>

The VARIOFACE distributor module makes it possible to split up 32 I/O signals into 4 x 8 channels byte by byte. The module connects 50-position system cables to four 14-position system cables via male connectors, module width: 90 mm

Commercial data	
GTIN (EAN)	4017918055769
Note	Made-to-order
sales group	I631
Pack	1 pcs.
Customs tariff	85369010
Weight/Piece	0.1345 KG
Catalog page information	Page 186 (IF-2002)

#### Product notes

WEEE/RoHS-compliant since:  
12/01/2006



<http://www.download.phoenixcontact.com>  
Please note that the data given here has been taken from the online catalog. For comprehensive information and data, please refer to the user documentation. The General Terms and Conditions of Use apply to Internet downloads.

Technical data	
<b>General data</b>	
Nominal voltage $U_N$	< 50 V AC 60 V DC
Max. current carrying capacity per branch	1 A
Max. total current of voltage supply	2 A (per byte)
Width	90 mm

Height	56 mm
Depth	90 mm
Status display	No
Ambient temperature (operation)	-20 °C ... 50 °C
Ambient temperature (storage/transport)	-20 °C ... 70 °C
Test voltage	500 V AC (50 Hz, 1 min.)
Mounting position	Any
Standards/regulations	IEC 60664
	IEC 60664 A
	DIN VDE 0110
	DIN VDE 0160 (in parts)
Pollution degree	2
Surge voltage category	II

**Connection data**

Connection 1	Input, 32 channels
Type of connection	Flat-ribbon cable plug connector in acc. with IEC 60603-13
Number of positions	50
Connection 2	Output, 4 x 8 channels
Number of connections	4
Type of connection	Flat-ribbon cable plug connector in acc. with IEC 60603-13
Number of positions	14

**Certificates / Approvals**

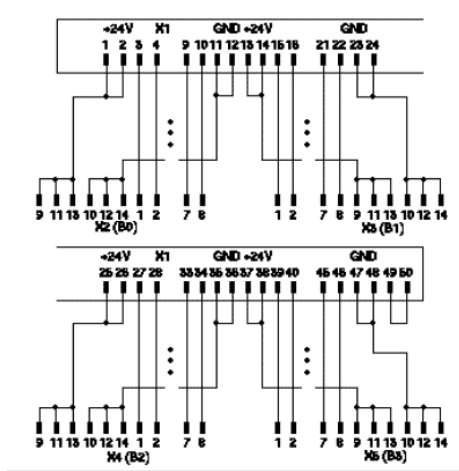


Certification

CUL, GOST, UL

Diagrams/Drawings

Circuit diagram



**Address**

PHOENIX CONTACT Inc., USA  
586 Fulling Mill Road  
Middletown, PA 17057, USA  
Phone (800) 888-7388  
Fax (717) 944-1625  
<http://www.phoenixcon.com>



© 2010 Phoenix Contact  
Technical modifications reserved;