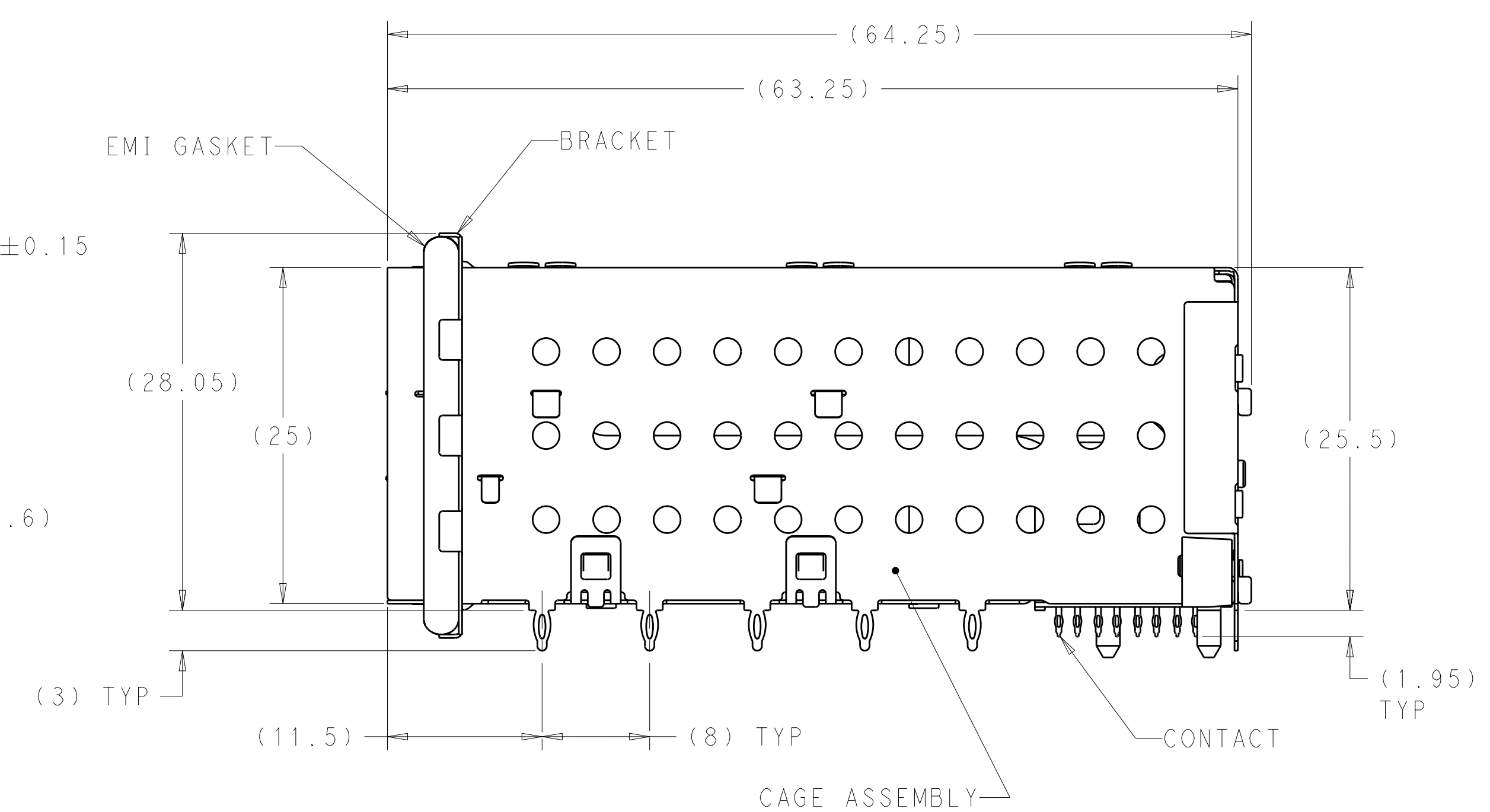
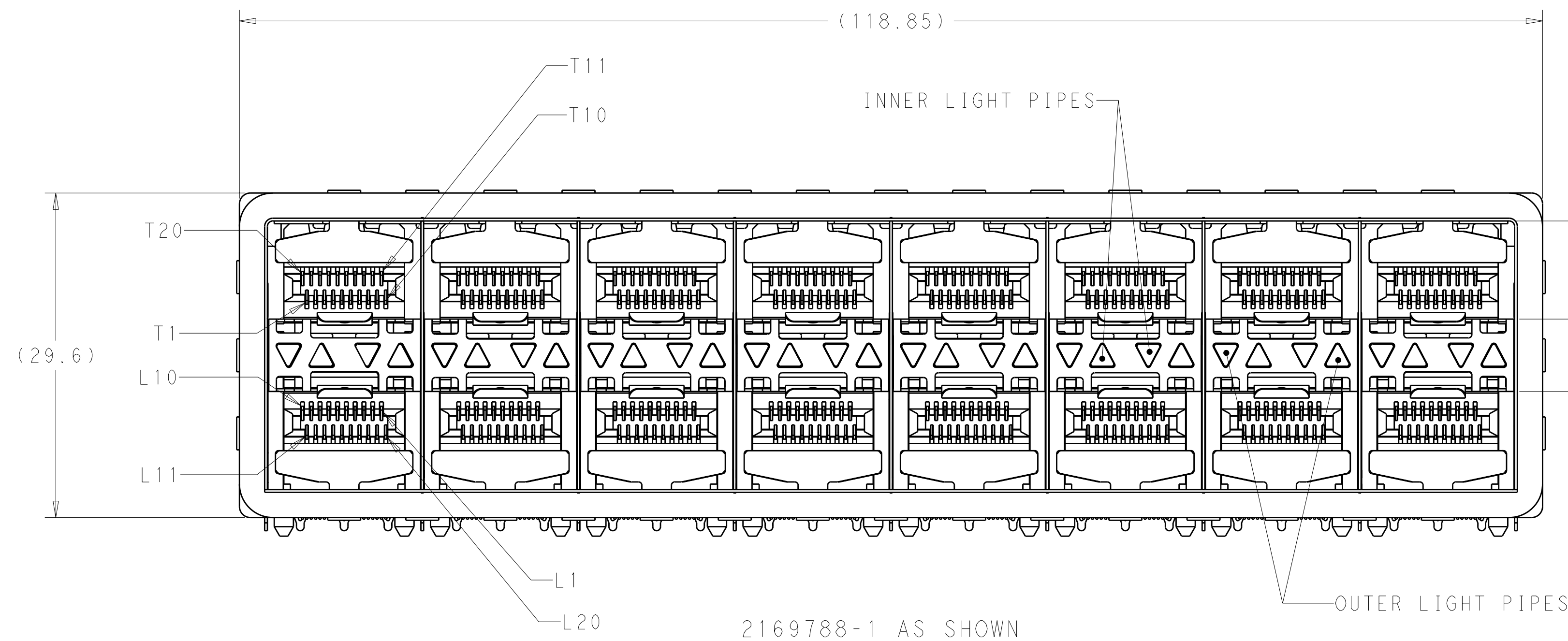
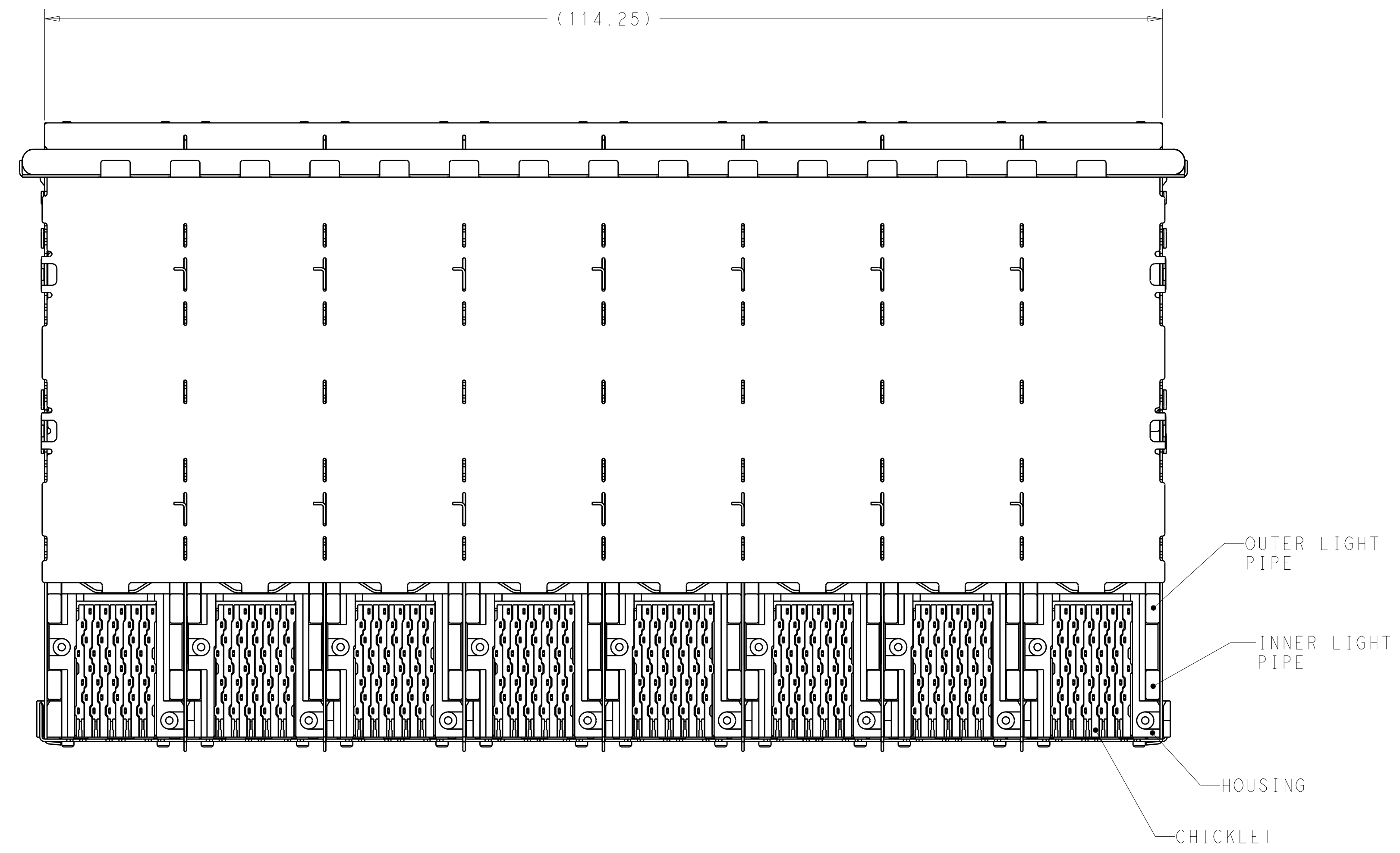


LOC	DIST	REV	DATE	BY	APPD
GP	00	A	17OCT2011	CJV	PAR



- △ MATERIALS:  
 CAGE ASSEMBLY- NICKEL SILVER ALLOY PER ASTM B 122.  
 BRACKET- STAINLESS STEEL.  
 EMI GASKET- PLATED FILLED SILICONE.  
 HOUSING- BLACK LCP, UL 94V-0 RATED.  
 CHICKLET- BLACK LCP, UL 94V-0 RATED.  
 LIGHT PIPE- POLYCARBONATE, CLEAR, UL 94V-2 RATED.  
 CONTACT- COPPER ALLOY.
- △ DATUM AND BASIC DIMENSIONS ESTABLISHED BY CUSTOMER.
- 3. MINIMUM PCB THICKNESS OF 1.5.
- △ CONTACT FINISH- CONFORMS TO THE REQUIREMENTS OF TE PRODUCT SPECIFICATION 108-2331, BASED ON EIA/ECA-364-1000.01A, (CONTROLLED ENVIRONMENT APPLICATIONS) ON MATING INTERFACE, TIN-LEAD ON NEEDLE EYE.
- △ CONTACT FINISH- CONFORMS TO THE REQUIREMENTS OF TE PRODUCT SPECIFICATION 108-2331, BASED ON EIA/ECA-364-1000.01A, (CONTROLLED ENVIRONMENT APPLICATIONS) ON MATING INTERFACE, TIN ON NEEDLE EYE.
- △ FOR HOLE SIZE AND PLATINGS, SEE APPLICATION SPEC 114-13219.
- △ THE ENTIRE AREA OF THE CONNECTOR FOOTPRINT, INDICATED BY THE DASHED LINE, TO BE CONSIDERED THE KEEPOUT AREA FOR COMPONENTS AND SIGNAL TRACES, TOP SIDE ONLY. TOP SIDE TRACES ALLOWED WITHIN CONNECTOR HOLE PATTERN.
- △ LIGHT PIPE PAD LAYOUT IS FOR 0805 LOW PROFILE LED PACKAGE WITH A HEIGHT OF 0.8mm.



FINISH	DESCRIPTION	PART NUMBER
5	NO LIGHT PIPES	2169788-8
	OUTER 2 LIGHT PIPES	2169788-7
	INNER 2 LIGHT PIPES	2169788-6
4	4 LIGHT PIPES	2169788-5
	NO LIGHT PIPES	2169788-4
	OUTER 2 LIGHT PIPES	2169788-3
	INNER 2 LIGHT PIPES	2169788-2
	4 LIGHT PIPES	2169788-1

THIS DRAWING IS A CONTROLLED DOCUMENT.

DATE: 18JAN2011  
 CHK: C. VALENTINE  
 P. RECCE  
 APVD: P. RECCE  
 PRODUCT SPEC: 108-2331  
 APPLICATION SPEC: 114-13219  
 WEIGHT: -  
 CUSTOMER DRAWING

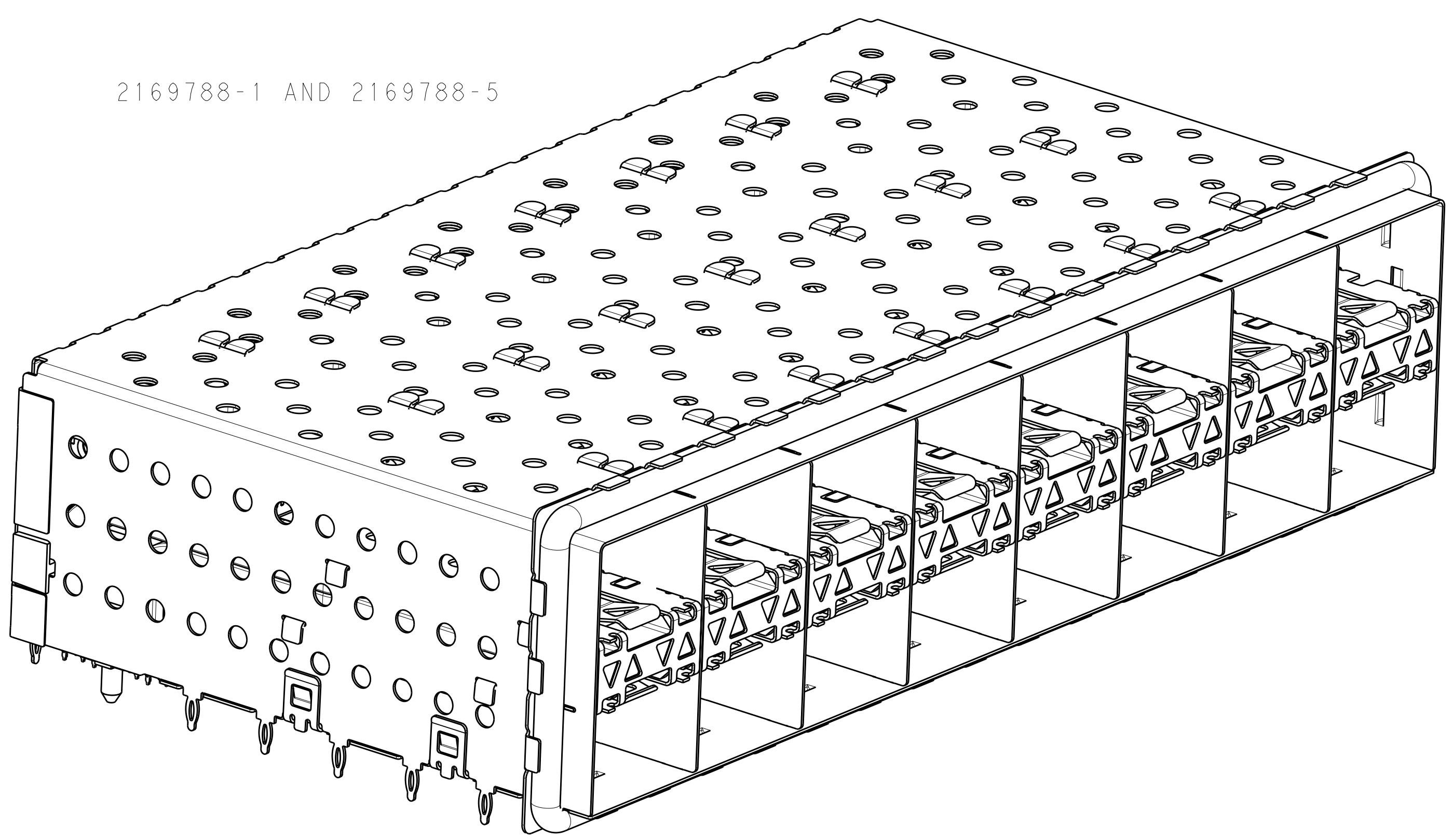
NAME: CAGE AND PT CONNECTOR ASSEMBLY, WITH EMI GASKET, PRESS FIT, 2X8, STACKED SFP+

SIZE: A100779  
 CAGE CODE: C=2169788  
 DRAWING NO: 2169788-1

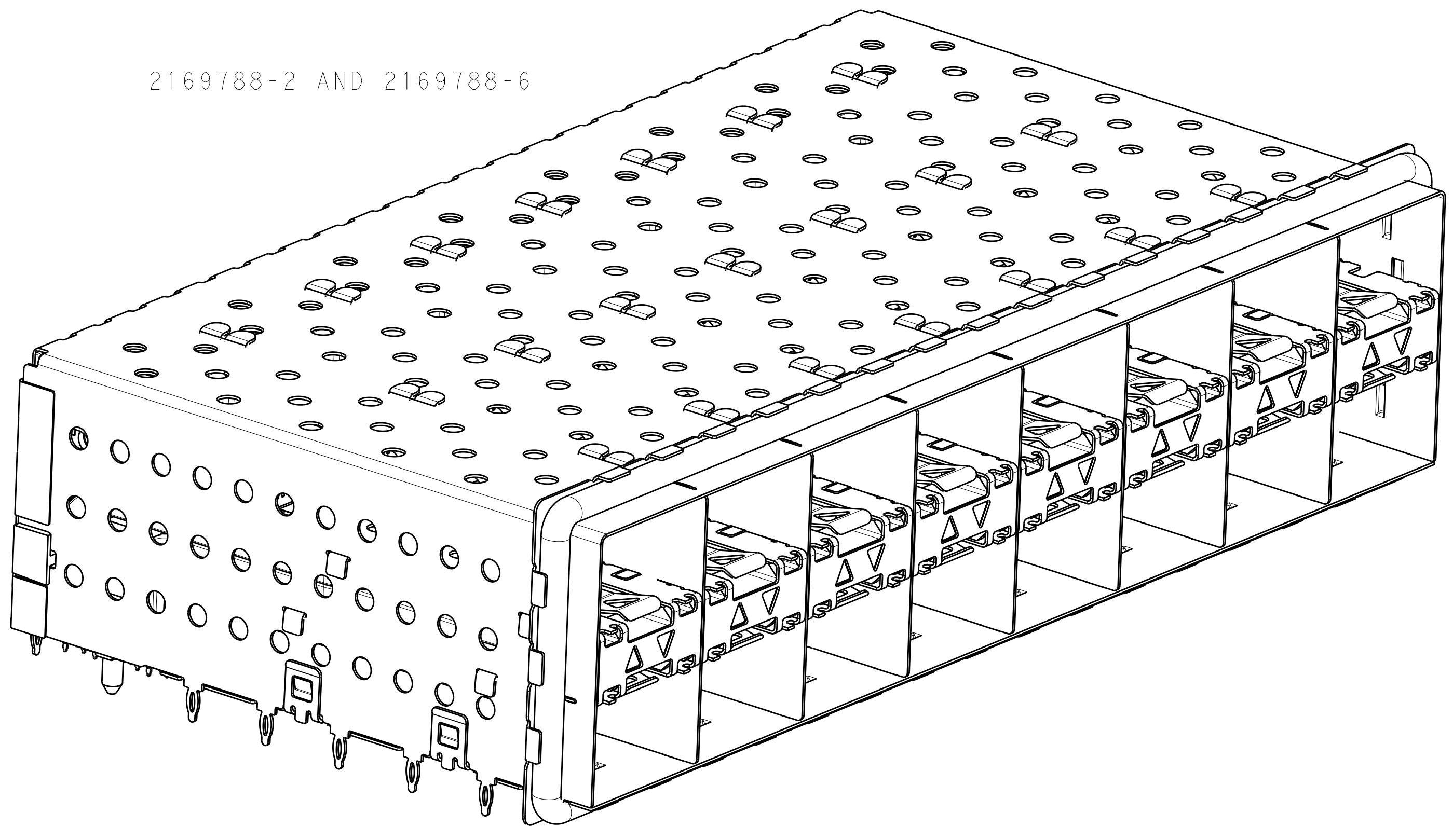
SCALE: 3:1 SHEET 1 OF 4 REV A

LOC		DIST		REVISIONS			
GP	00	P	LTR	DESCRIPTION	DATE	DWN	APVD
				SEE SHEET 1			

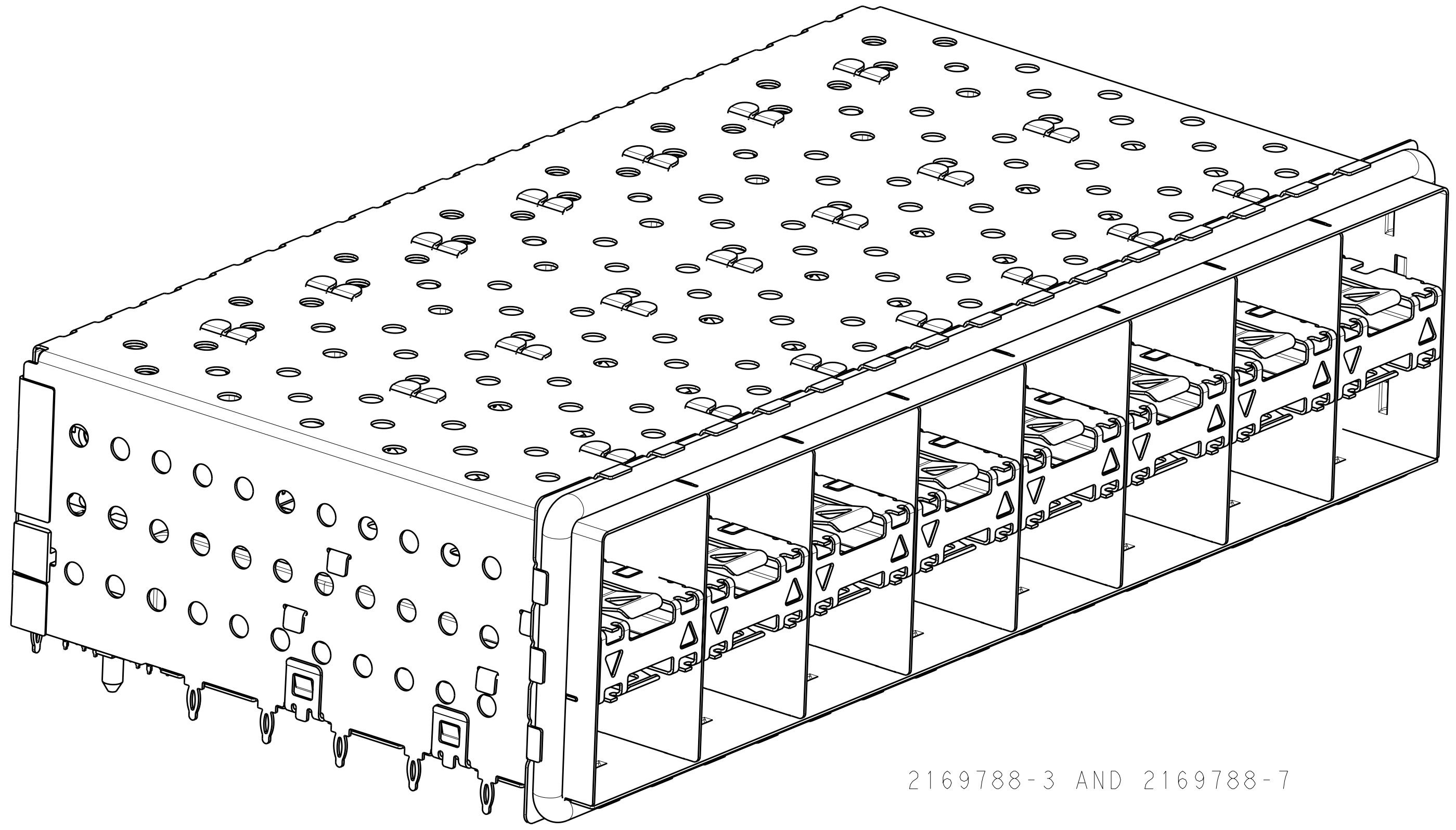
2169788-1 AND 2169788-5



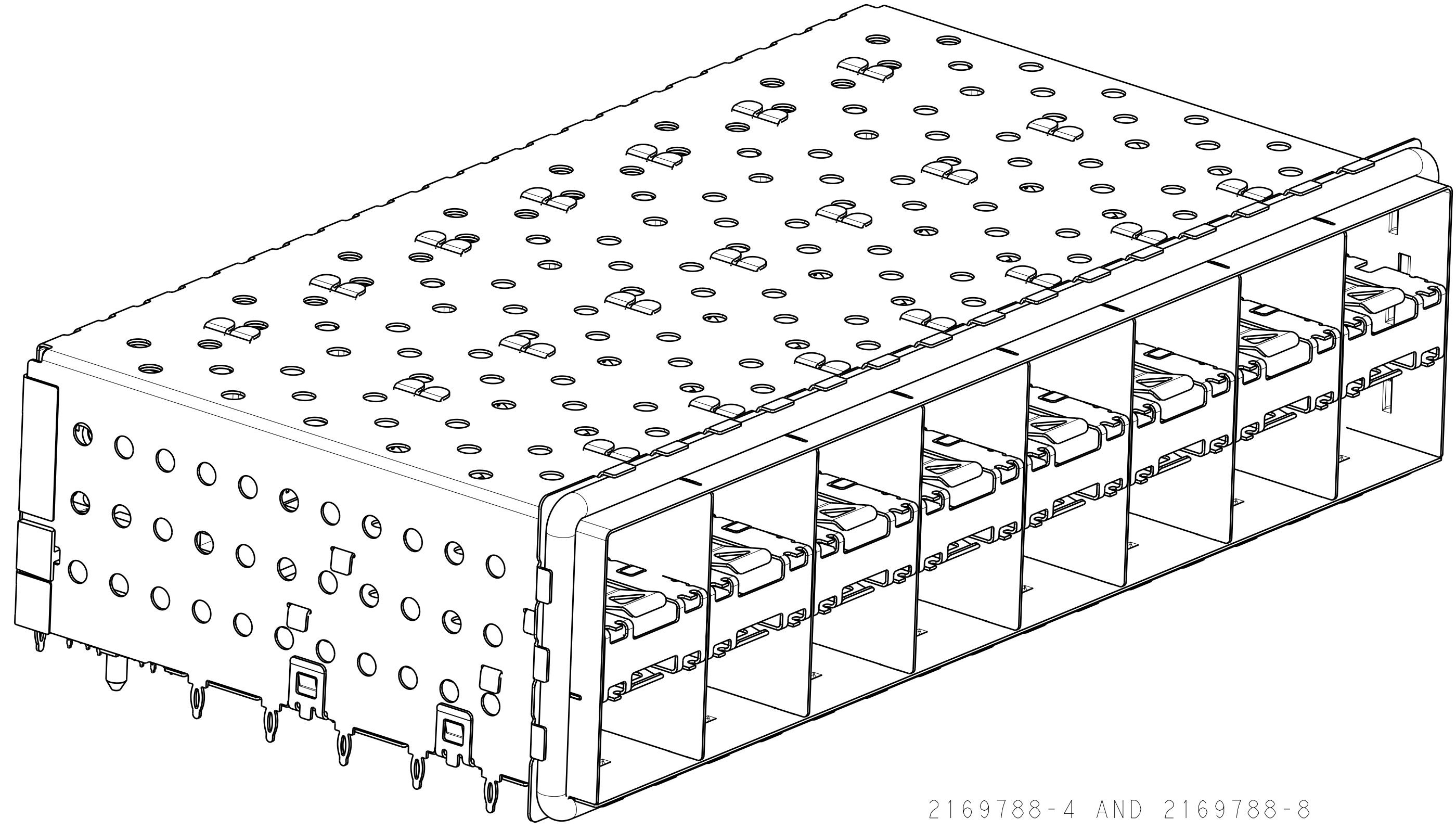
2169788-2 AND 2169788-6




2169788-3 AND 2169788-7



2169788-4 AND 2169788-8

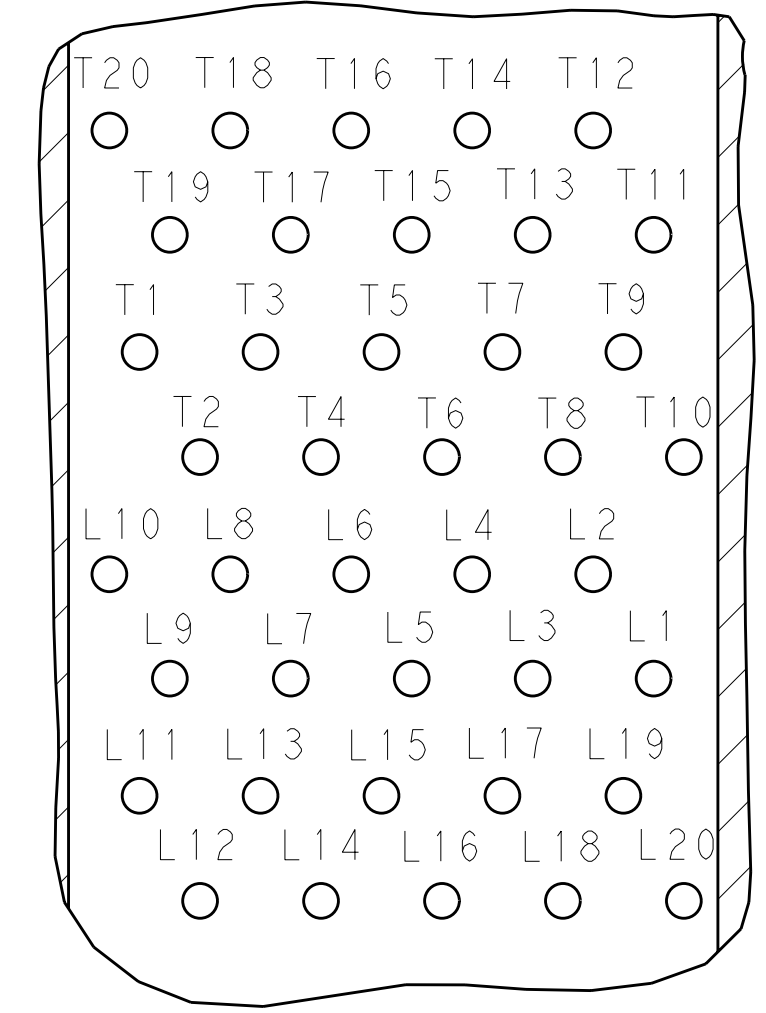
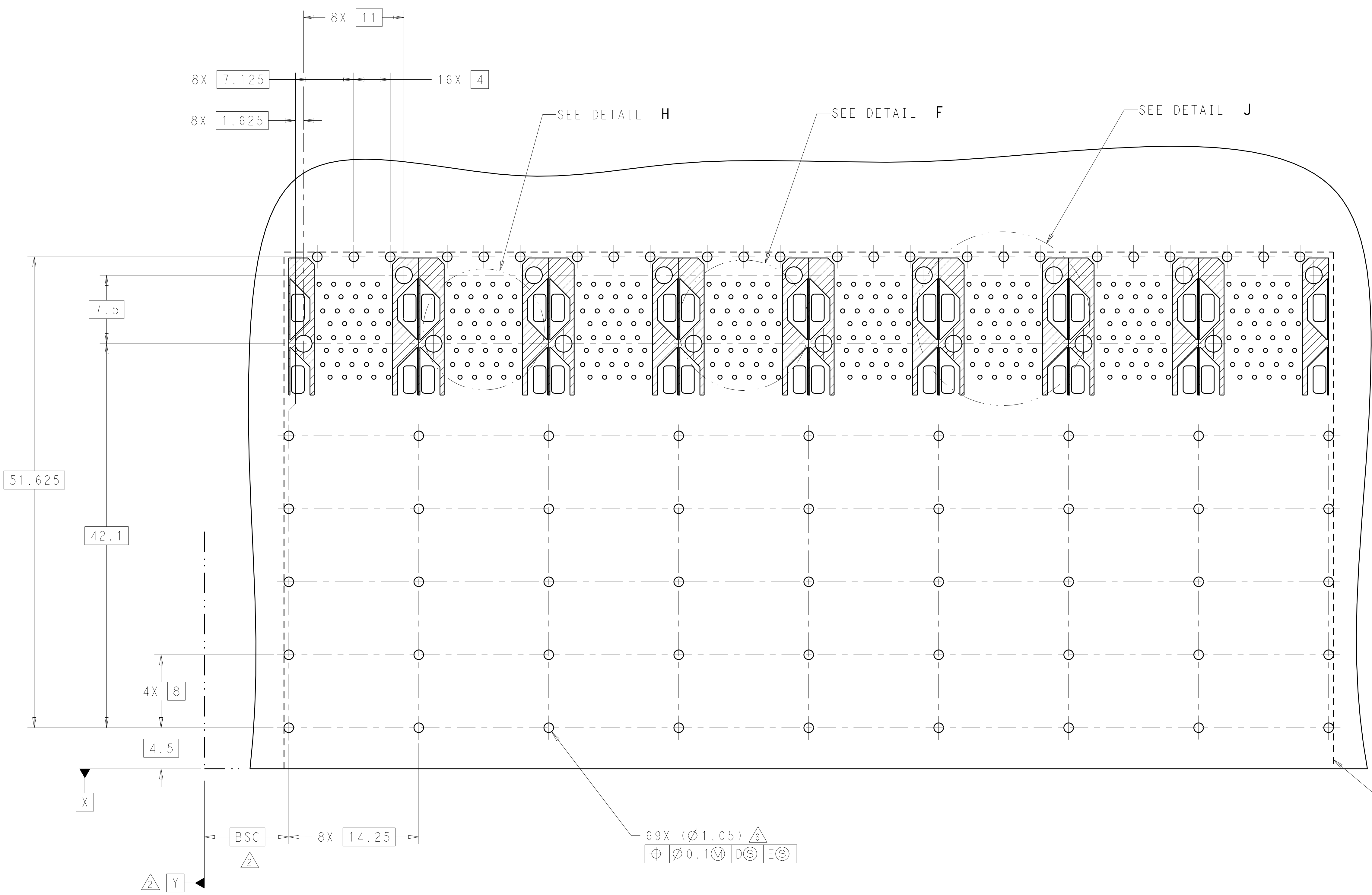


THIS DRAWING IS A CONTROLLED DOCUMENT.		DWN	C. VALENTINI	18JAN2011	 TE Connectivity NAME CAGE AND PT CONNECTOR ASSEMBLY, WITH EMI GASKET, PRESS FIT, 2X8, STACKED SFP+		
DIMENSIONS:		CHK	P. RECCE	18JAN2011			
mm		APVD	P. RECCE	18JAN2011			
TOLERANCES UNLESS OTHERWISE SPECIFIED: 9 PLC ±0.1 1 PLC ±0.1 5 PLC ±0.1 4 PLC ±0.1 ANGLES ±0.1		PRODUCT SPEC	108-2331	APPLICATION SPEC			
MATERIAL	FINISH	WEIGHT	114-13219	SIZE	CAGE CODE	DRAWING NO	RESTRICTED TO
	SEE TABLE			A1100779	C=2169788		
		CUSTOMER DRAWING		SCALE	3:1	SHEET	2 OF 4
				REV	A		

LOC	DIST	REV	DATE	BY	APPD
GP	00				

REVISIONS			
NO.	DESCRIPTION	DATE	BY
1	SEE SHEET 1	-	-



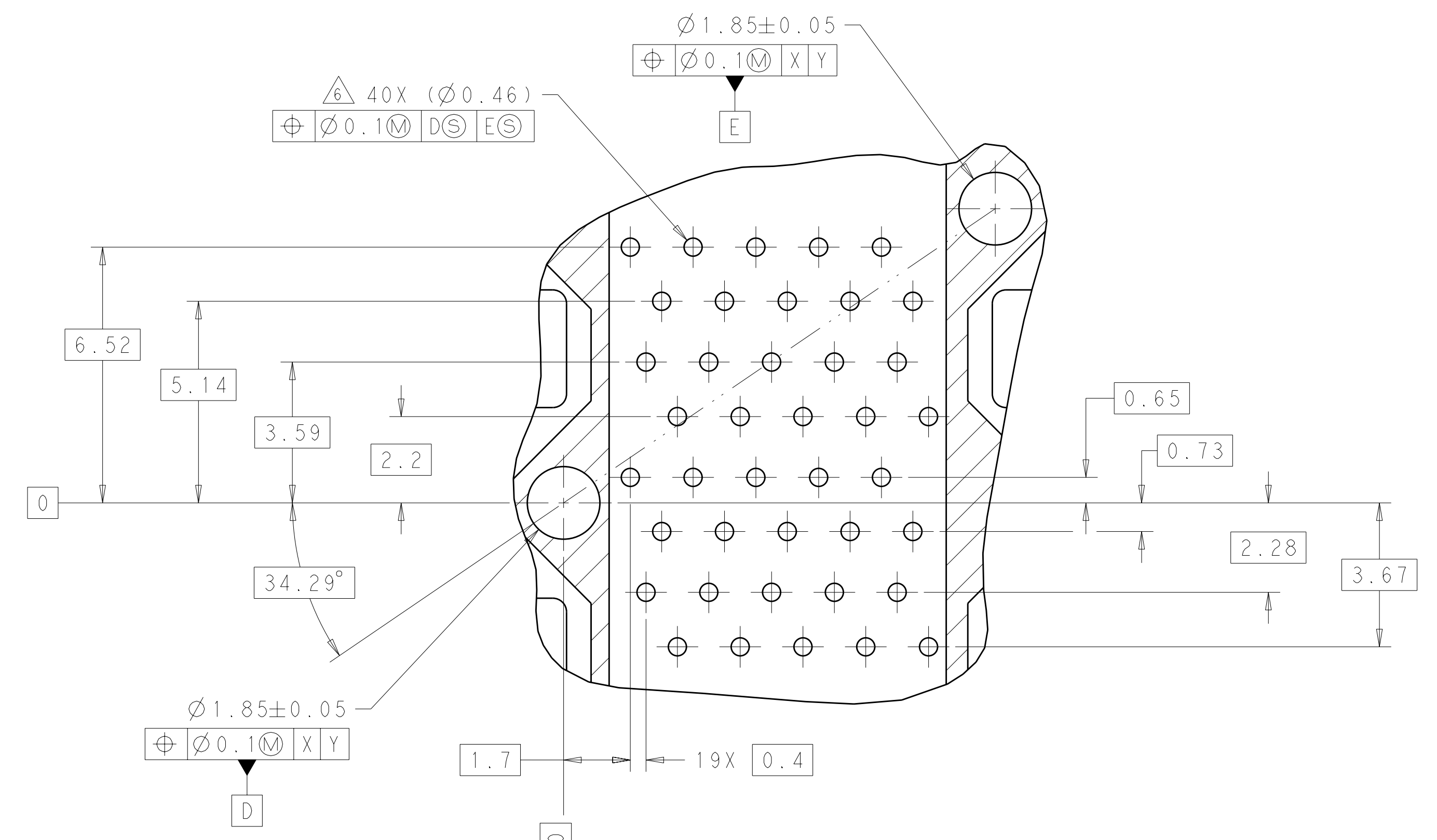
DETAIL H  
 CONNECTOR PIN-OUT  
 COMPONENT SIDE OF BOARD  
 8X INDIVIDUALLY  
 SCALE 10:1

RECOMMENDED PCB LAYOUT  
 COMPONENT SIDE OF BOARD  
 SCALE 4:1

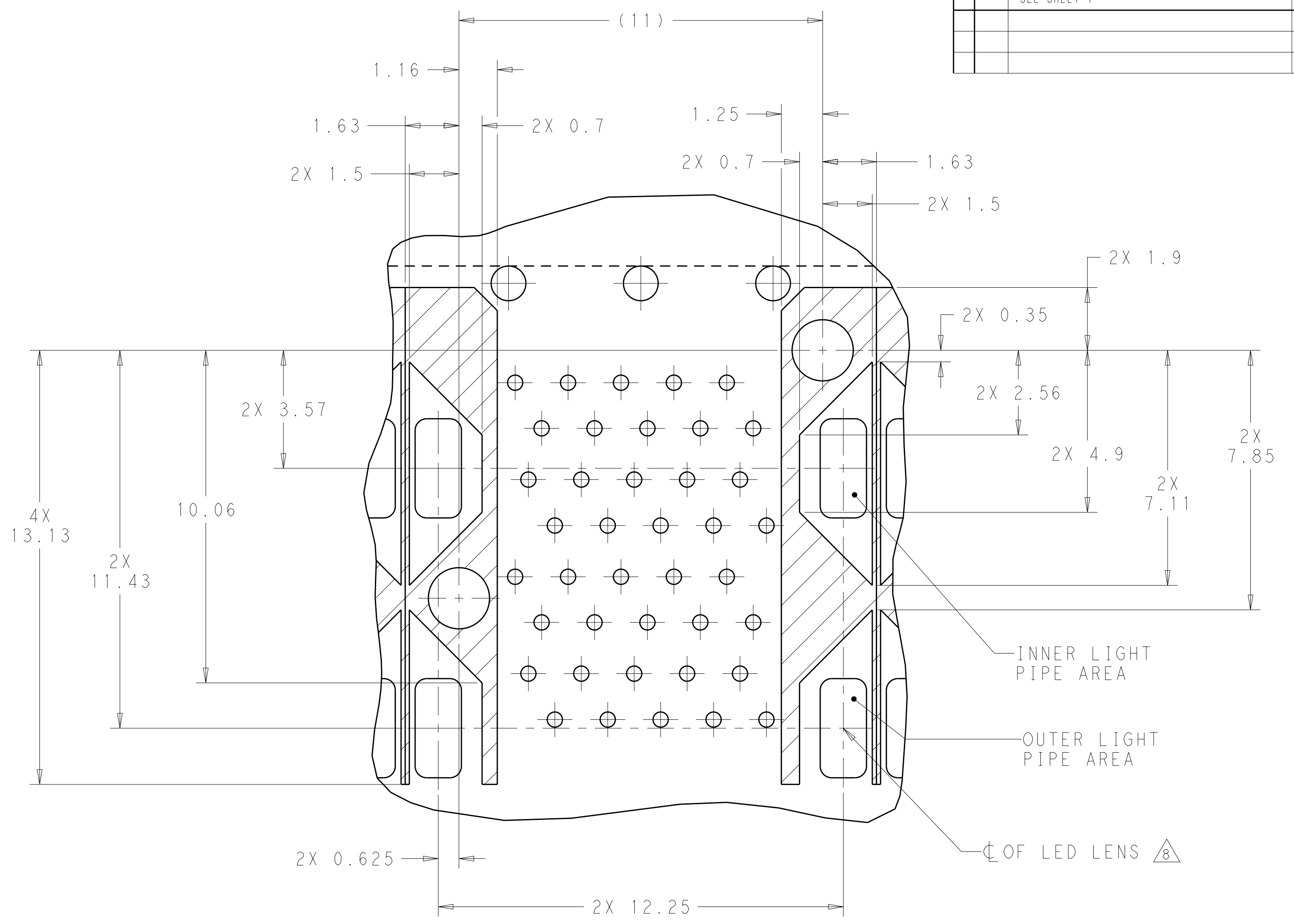
69X (Ø1.05)  $\Delta$   
 $\oplus$  Ø0.1  $\text{M}$   $\text{DS}$   $\text{ES}$

THIS DRAWING IS A CONTROLLED DOCUMENT.		DWN C. VALENTINI 18JAN2011	TE Connectivity												
DIMENSIONS: mm		CHK P. RECCE 18JAN2011													
TOLERANCES UNLESS OTHERWISE SPECIFIED:		APVD P. RECCE 18JAN2011	NAME CAGE AND PT CONNECTOR ASSEMBLY, WITH EMI GASKET, PRESS FIT, 2X8, STACKED SFP+												
<table border="1"> <tr><td>0 PLC</td><td>±0.1</td></tr> <tr><td>1 PLC</td><td>±0.1</td></tr> <tr><td>2 PLC</td><td>±0.1</td></tr> <tr><td>3 PLC</td><td>±0.1</td></tr> <tr><td>4 PLC</td><td>±0.1</td></tr> <tr><td>ANGLES</td><td>±0.1</td></tr> </table>		0 PLC	±0.1	1 PLC	±0.1	2 PLC	±0.1	3 PLC	±0.1	4 PLC	±0.1	ANGLES	±0.1	PRODUCT SPEC 108-2331	RESTRICTED TO
0 PLC	±0.1														
1 PLC	±0.1														
2 PLC	±0.1														
3 PLC	±0.1														
4 PLC	±0.1														
ANGLES	±0.1														
MATERIAL: -		APPLICATION SPEC 114-13219	SIZE CAGE CODE DRAWING NO A100779C=2169788												
FINISH: -		WEIGHT: -	SCALE 3:1 SHEET 3 OF 4 REV A												
SEE TABLE		CUSTOMER DRAWING													

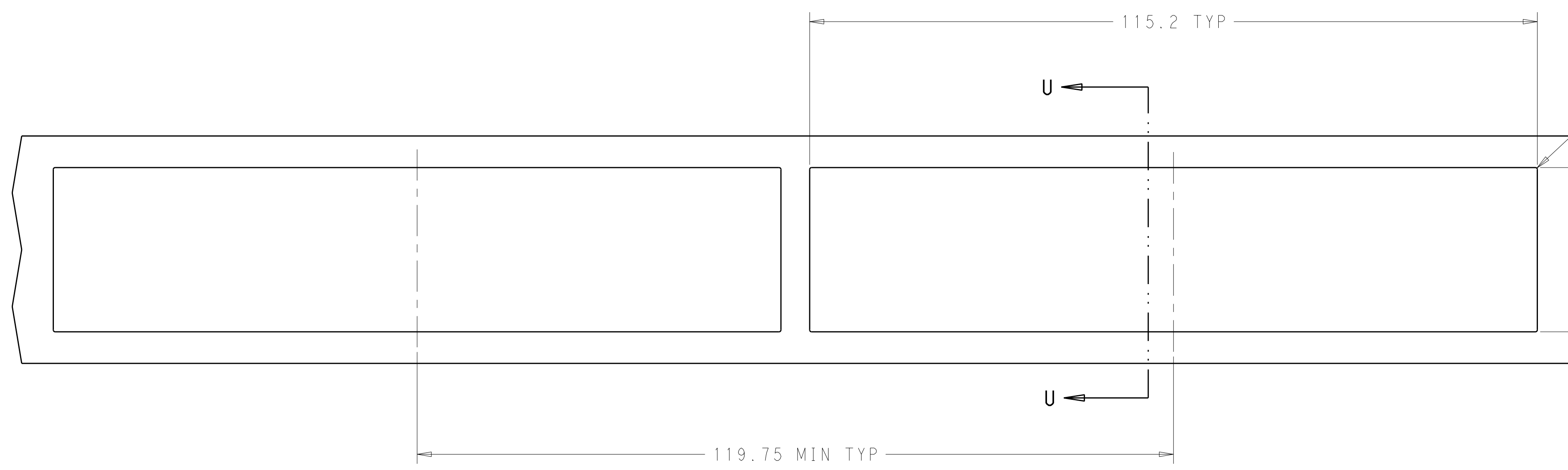
LOC		DIST		REVISIONS			
GP	00	P	LTH	DESCRIPTION	DATE	DWN	APVD
				SEE SHEET 1			



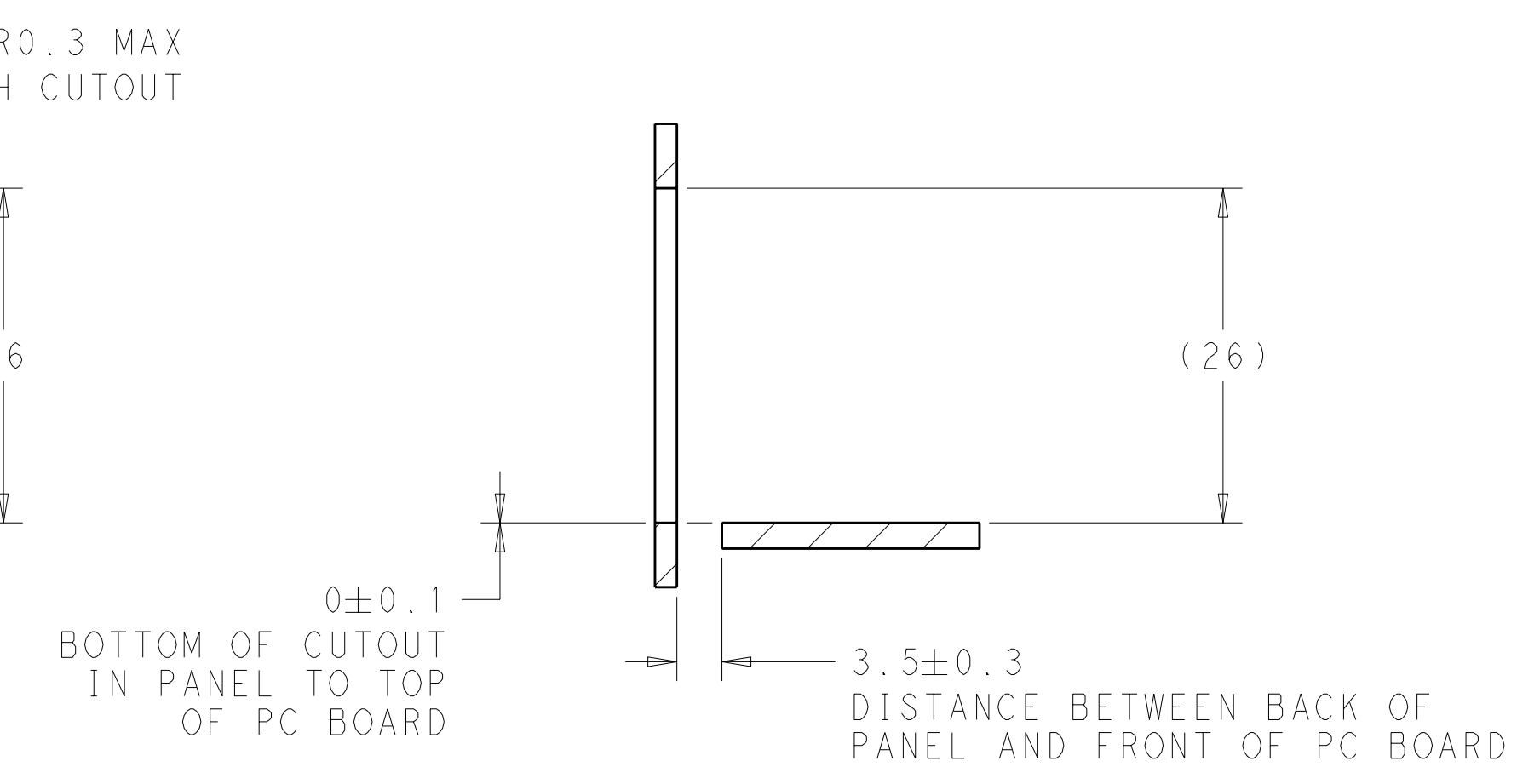
DETAIL F  
 8X INDIVIDUALLY  
 SCALE 10:1



DETAIL J  
 CONNECTOR HOUSING  
 KEEPOUT ZONE  
 8X INDIVIDUALLY  
 SCALE 10:1



RECOMMENDED PANEL CUTOUT  
 AND PC BOARD, PANEL POSITION  
 SCALE 2:1



SECTION U-U  
 SCALE 2:1

THIS DRAWING IS A CONTROLLED DOCUMENT.		DWN: C. VALENTINI 18JAN2011	TE Connectivity
DIMENSIONS: mm		CHK: P. RECCE 18JAN2011	
TOLERANCES UNLESS OTHERWISE SPECIFIED:		APVD: P. RECCE 18JAN2011	NAME: CAGE AND PT CONNECTOR ASSEMBLY, WITH EMI GASKET, PRESS FIT, 2X8, STACKED SFP+
9 PLC	±0.1	PRODUCT SPEC	SIZE: CAGE CODE: DRAWING NO: RESTRICTED TO
1 PLC	±0.1	108-2331	A1100779C=2169788
3 PLC	±0.1	APPLICATION SPEC	SCALE: 3:1 SHEET: 4 OF 4 REV: A
4 PLC	±0.1	114-13219	
ANGLES	±0.1	WEIGHT: -	
MATERIAL:	FINISH: -	CUSTOMER DRAWING	