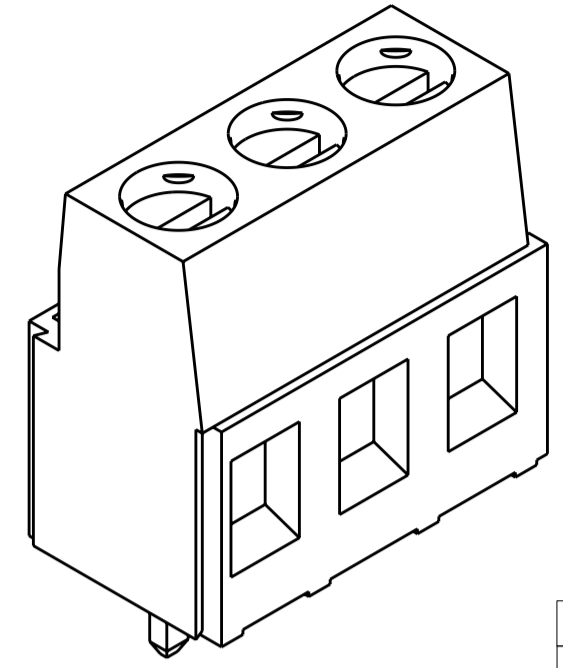
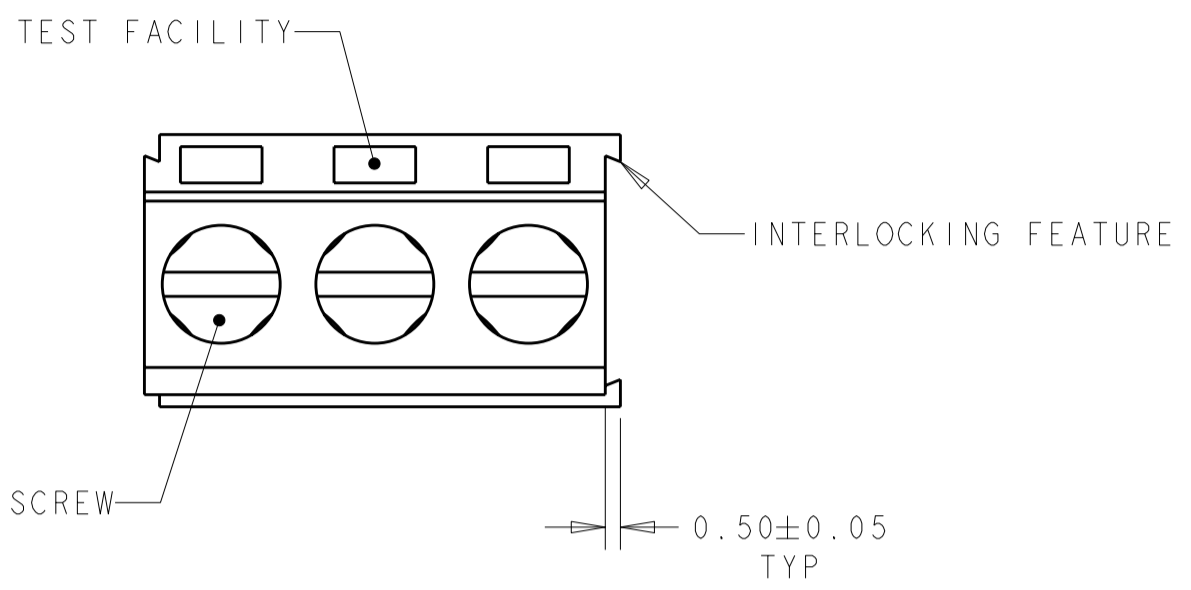


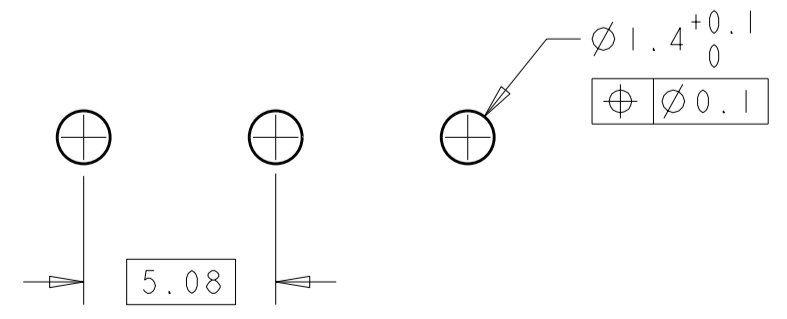
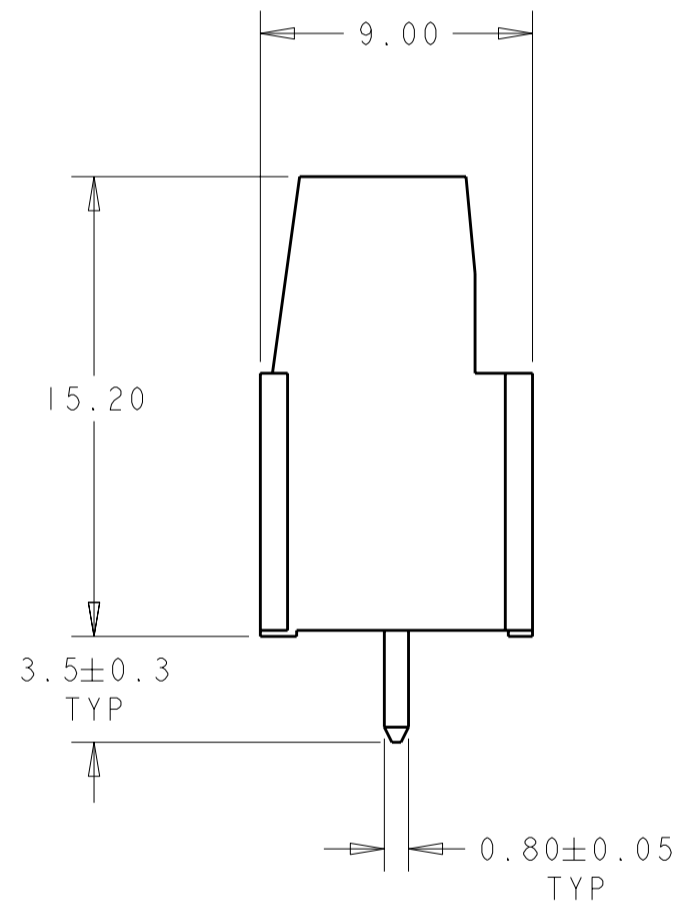
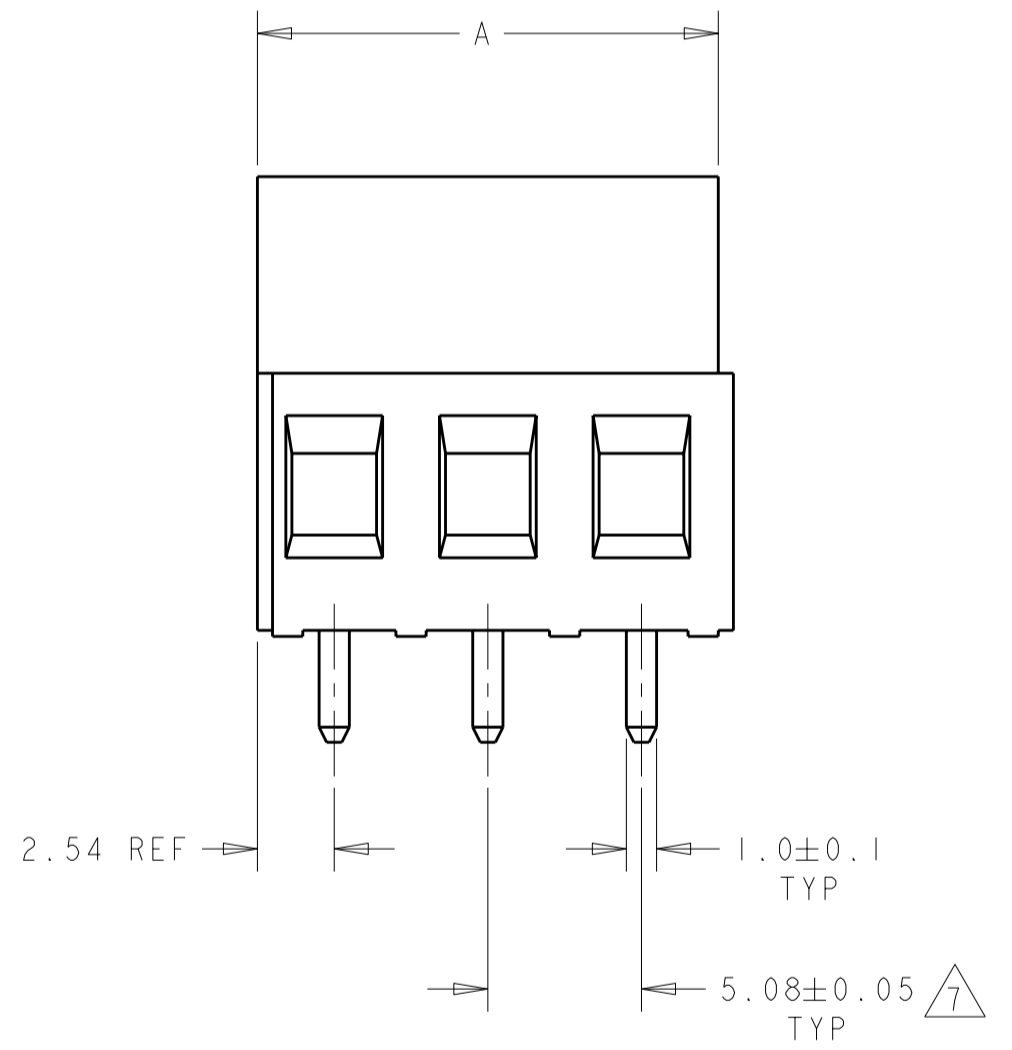
THIS DRAWING IS UNPUBLISHED. RELEASED FOR PUBLICATION 20
 © COPYRIGHT 20 BY - ALL RIGHTS RESERVED.

LOC		DIST		REVISIONS			
P	LTR	DESCRIPTION	DATE	DWN	APVD		
	H6	REVISED PER ECO-11-005027	14MAR2011	RK	HMR		



282841-3 AS SHOWN
PRELIMINARY

DETAIL	DESCRIPTION	MATERIAL	FINISH	WEIGHT	NO. OF POSN	PART NUMBER
PRELIMINARY				SEE SHEET 2	GREEN	15.24 3 4-282841-0
DETAIL C	PRELIMINARY	-	-	-	GREEN	25.40 5 3-282841-9
DETAIL B	PRELIMINARY	-	-	-	GREEN	20.32 4 3-282841-8
PRELIMINARY		STAINLESS STEEL	-	-	GREEN	40.64 8 3-282841-7
PRELIMINARY		STAINLESS STEEL	-	-	GREEN	20.32 4 3-282841-6
PRELIMINARY		STAINLESS STEEL	-	-	GREEN	15.24 3 3-282841-5
PRELIMINARY		STAINLESS STEEL	-	-	GREEN	10.16 2 3-282841-4
				SEE SHEET 2	GREEN	45.72 9 3-282841-3
				SEE SHEET 2	GREEN	66.04 13 3-282841-2
				SEE SHEET 2	GREEN	20.32 4 3-282841-1
				SEE SHEET 2	GREEN	60.96 12 3-282841-0
				-	BLACK	127.0 25 2-282841-9
				-	GREEN	127.0 25 2-282841-8
				-	GREEN	121.92 24 2-282841-7
				-	GREEN	116.84 23 2-282841-6
				-	GREEN	111.76 22 2-282841-5
				-	GREEN	106.68 21 2-282841-4
				-	GREEN	101.60 20 2-282841-3
				-	GREEN	96.52 19 2-282841-2
				-	GREEN	91.44 18 2-282841-1
				-	GREEN	86.36 17 2-282841-0
				-	GREEN	81.28 16 1-282841-9
				-	GREEN	76.20 15 1-282841-8
				-	GREEN	71.12 14 1-282841-7
				-	GREEN	66.04 13 1-282841-6
				SEE SHEET 2	GREEN	40.64 8 1-282841-5
				SEE SHEET 2	GREEN	35.56 7 1-282841-4
				-	BLACK	35.56 7 1-282841-3
				-	GREEN	60.96 12 1-282841-2
				-	GREEN	55.88 11 1-282841-1
				-	GREEN	50.80 10 1-282841-0
				-	GREEN	45.72 9 282841-9
				-	GREEN	40.64 8 282841-8
				-	GREEN	35.56 7 282841-7
				-	GREEN	30.48 6 282841-6
				-	GREEN	25.40 5 282841-5
				-	GREEN	20.32 4 282841-4
				-	GREEN	15.24 3 282841-3
				-	GREEN	10.16 2 282841-2
CLAMPING SCREW	MARKING	COLOR	A	NO OF POSN	PART NUMBER	



RECOMMENDED PC BOARD LAYOUT
SCALE 5:1

THIS DRAWING IS A CONTROLLED DOCUMENT. DWN S.WELDON 26 JAN 2001
 CHK D.BIEVENOUR 26 JAN 2001
 APVD D.BIEVENOUR 26 JAN 2001

STE TE Connectivity

NAME: TERMINAL BLOCK
PCB MOUNT
W/INTERLOCK, 5.08mm PITCH

SIZE: A2 CAGE CODE: 00779 DRAWING NO: 282841 RESTRICTED TO: -

MATERIAL: 1 TOLERANCES UNLESS OTHERWISE SPECIFIED: 1

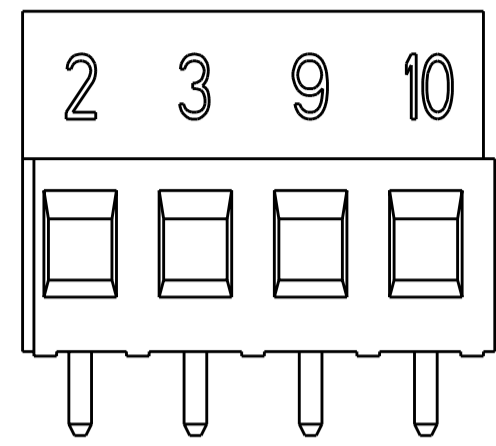
0 PLC ±0
 1 PLC ±.3
 2 PLC ±.25
 3 PLC ±0
 4 PLC ±0
 ANGLES ±2°
 FINISH 1

PRODUCT SPEC: -
 APPLICATION SPEC: -
 WEIGHT: -

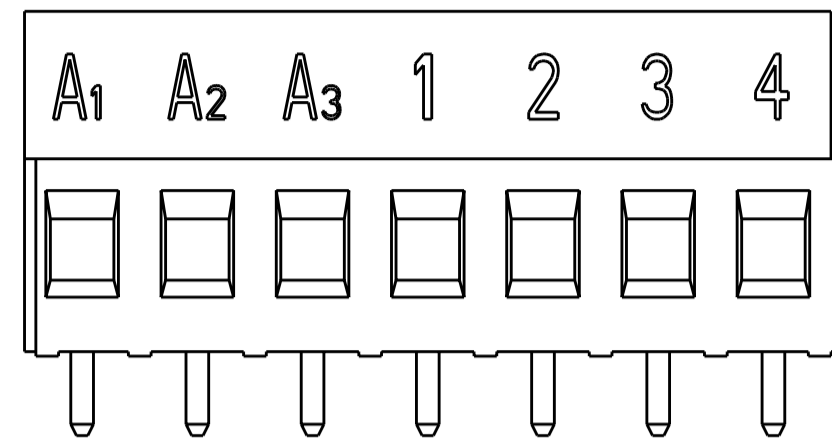
CUSTOMER DRAWING SCALE: 4:1 SHEET 1 OF 2 REV: H6

THIS DRAWING IS UNPUBLISHED. RELEASED FOR PUBLICATION 20
 © COPYRIGHT 20 BY - ALL RIGHTS RESERVED.

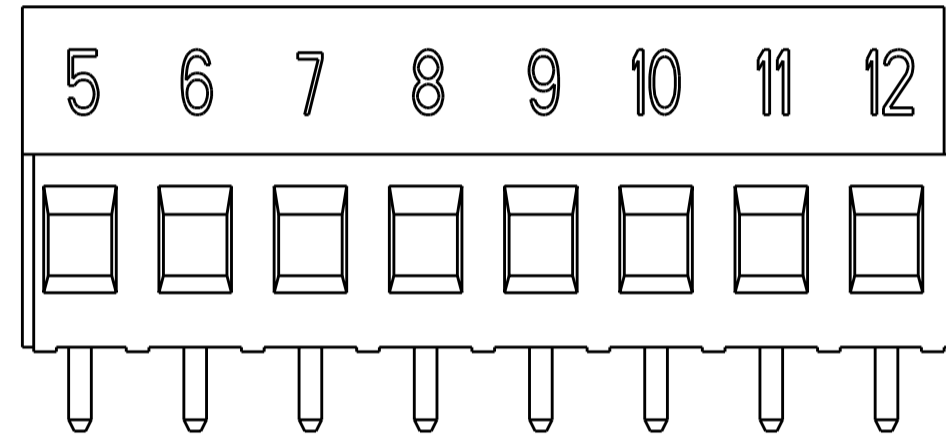
LOC		DIST		REVISIONS			
P	LTR	DESCRIPTION	DATE	DWN	APVD		
-	-	SEE SHEET 1	-	-	-		



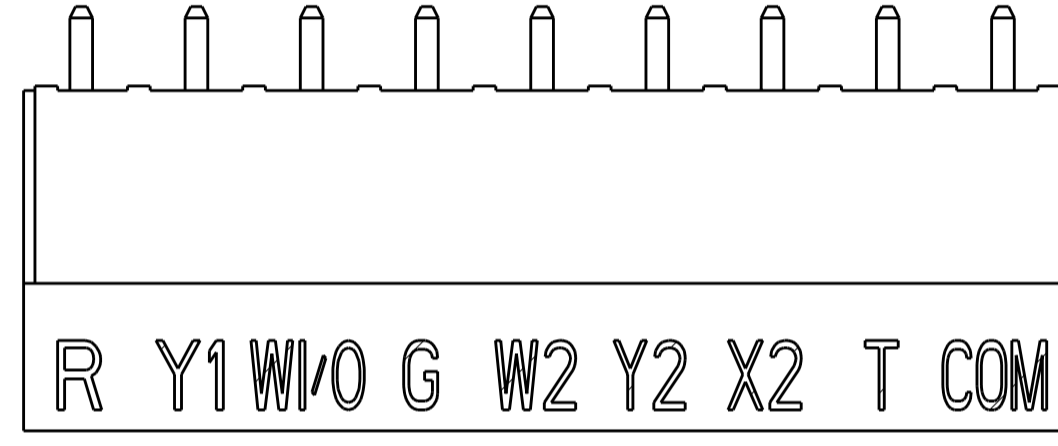
3-282841-1 AS SHOWN $\triangle 8$



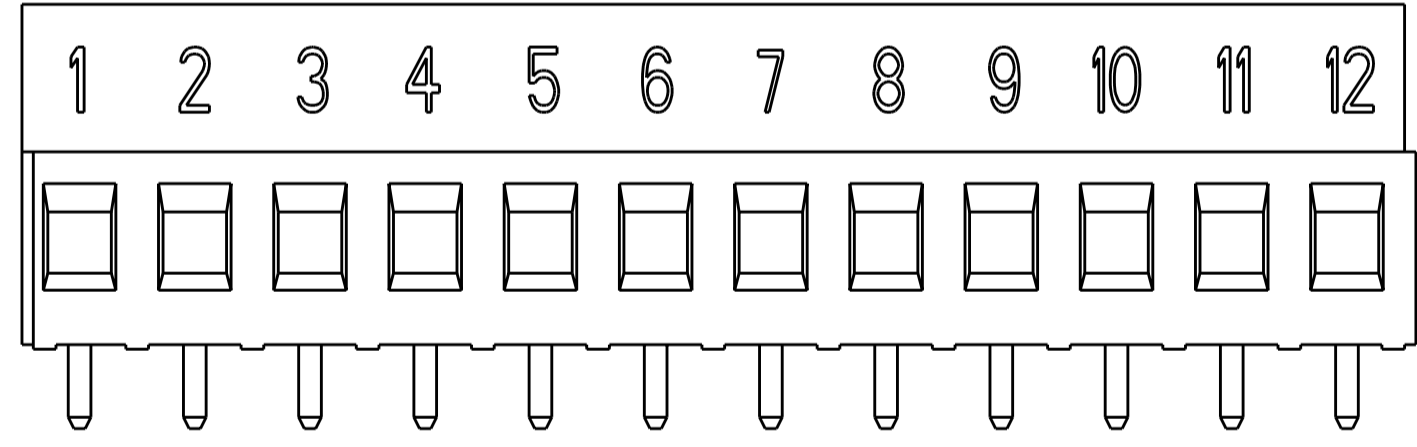
1-282841-4 AS SHOWN $\triangle 8$



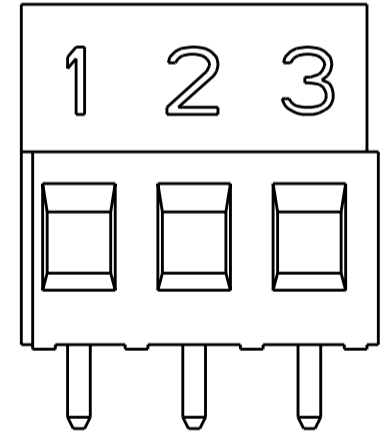
1-282841-5 AS SHOWN $\triangle 8$



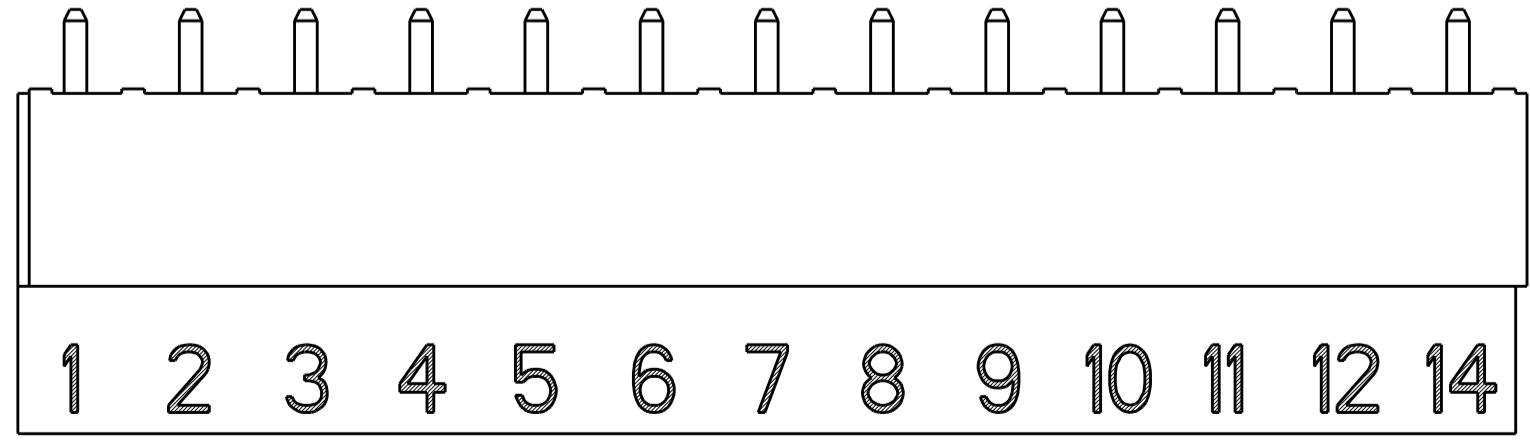
3-282841-3 AS SHOWN $\triangle 8$



3-282841-0 AS SHOWN $\triangle 8$

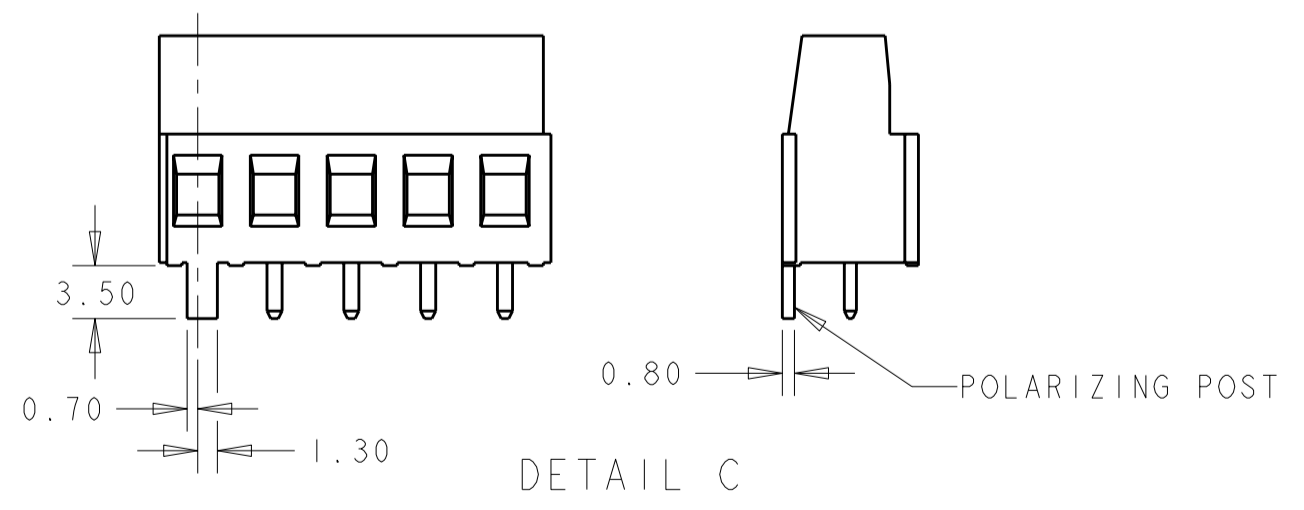
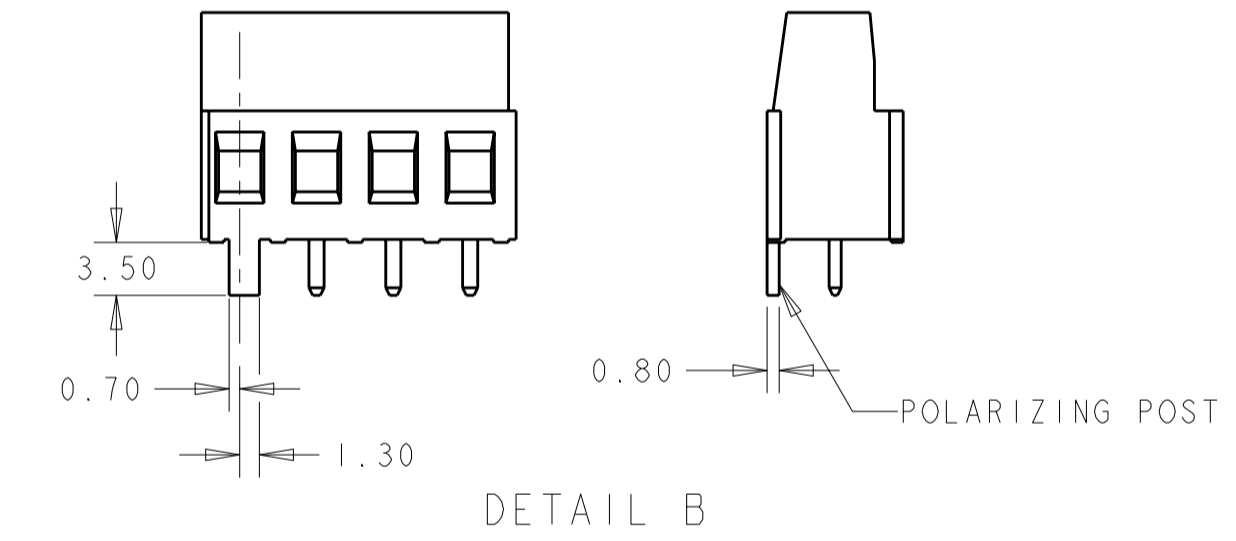


4-282841-0 AS SHOWN $\triangle 8$



3-282841-2 AS SHOWN $\triangle 8$

- $\triangle 1$ MATERIALS AND FINISH:
 HOUSING: PA 6-6, UL 94-V0, COLOR: SEE TABLE.
 CLAMP: BRASS, NICKEL PLATED.
 TERMINAL: BRASS, TIN PLATED.
 CLAMPING SCREW: M3, BRASS, NICKEL PLATED.
2. SUITABLE FOR 1,6-2,4mm. PCB THICKNESS.
3. END-TO-END STACKABLE W/INTERLOCK WITHOUT LOSS OF CENTERLINE SPACING.
4. WIRE SIZE RANGE: 12-30 AWG
5. RECOGNIZED UNDER THE COMPONENT PROGRAM OF UNDERWRITERS LABORATORIES INC. FILE No E60677.
6. IMQ CERTIFICATE WITH SURVEILLANCE IN CONFORMITY WITH IEC 998-1/998-2-1.
- $\triangle 7$ NOT CUMULATIVE TOLERANCE.
- $\triangle 8$ INK MARKING : BLACK COLOR.
9. BUCHANAN LOGO TO APPEAR ON HOUSING, LOCATION OPTIONAL, WHERE SPACE PERMITS.



THIS DRAWING IS A CONTROLLED DOCUMENT.		DWN S. WELDON 26 JAN 2001	STE TE Connectivity	
DIMENSIONS: mm		CHK D. BIEVENOUR 26 JAN 2001		
TOLERANCES UNLESS OTHERWISE SPECIFIED:		APVD D. BIEVENOUR 26 JAN 2001	NAME	
0 PLC ± 0	1 PLC ± 3	PRODUCT SPEC	TERMINAL BLOCK	
2 PLC ± 25	3 PLC ± 0	APPLICATION SPEC	PCB MOUNT	
4 PLC ± 0	ANGLES $\pm 2^\circ$	WEIGHT	SIZE	RESTRICTED TO
FINISH			A200779	
MATERIAL		CUSTOMER DRAWING	C-282841	
		SCALE 3:1	SHEET 2 OF 2	REV. H6

Mouser Electronics

Authorized Distributor

Click to View Pricing, Inventory, Delivery & Lifecycle Information:

[TE Connectivity:](#)

[2-282841-0](#)