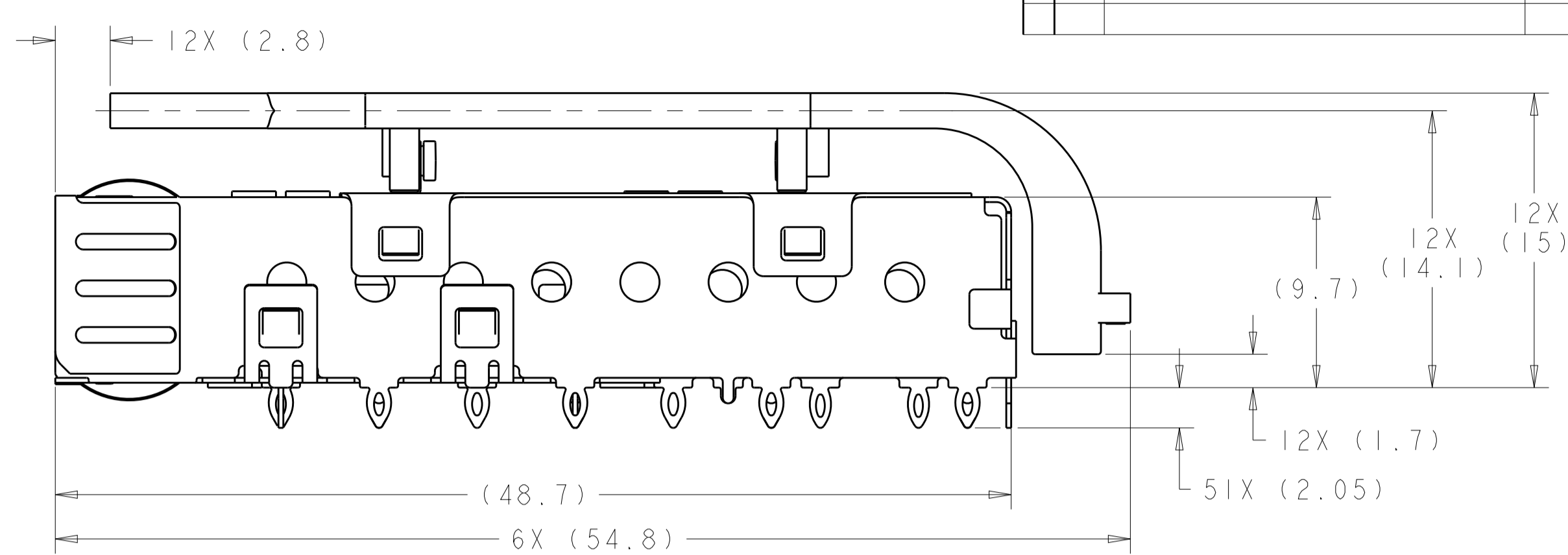
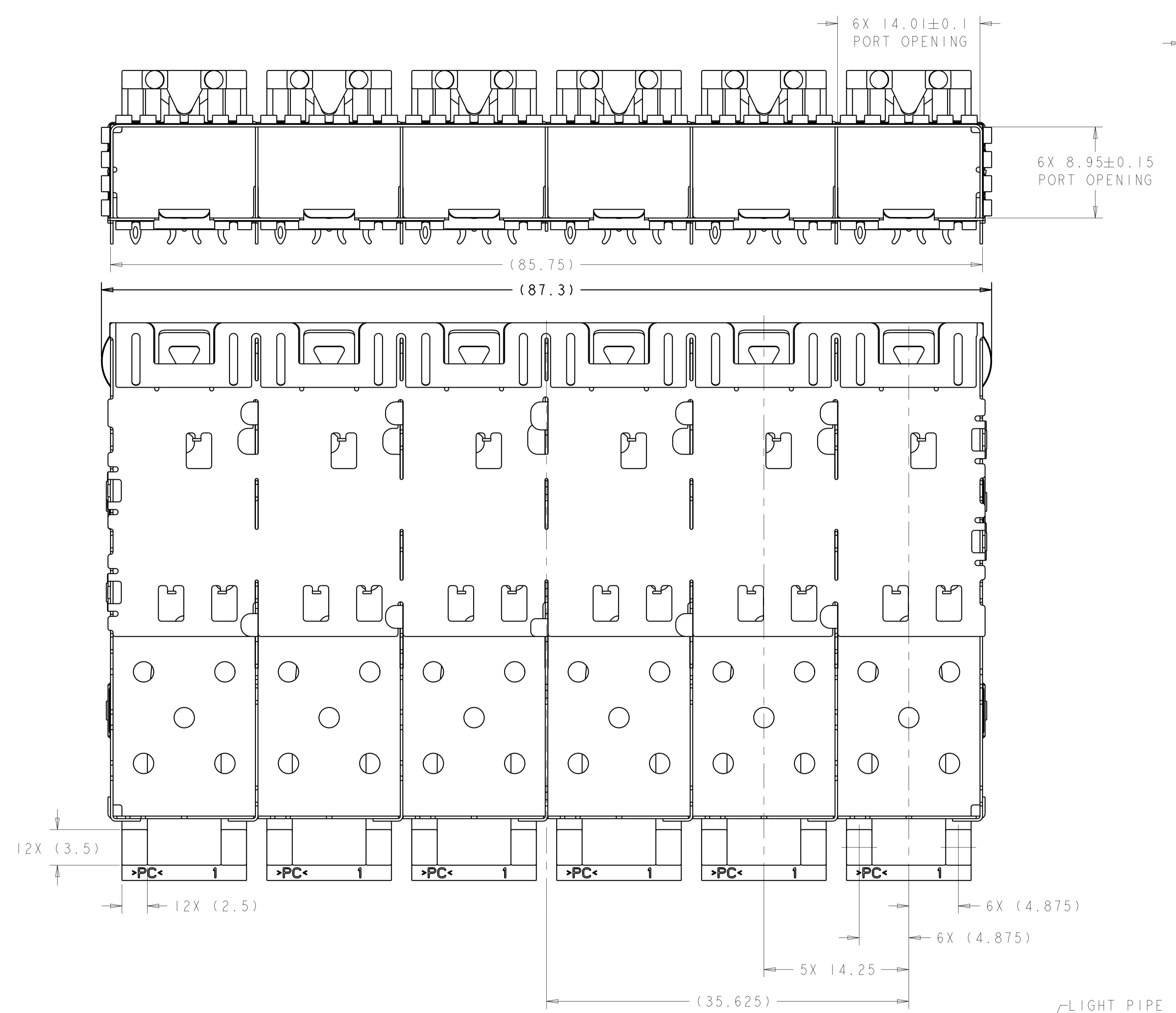
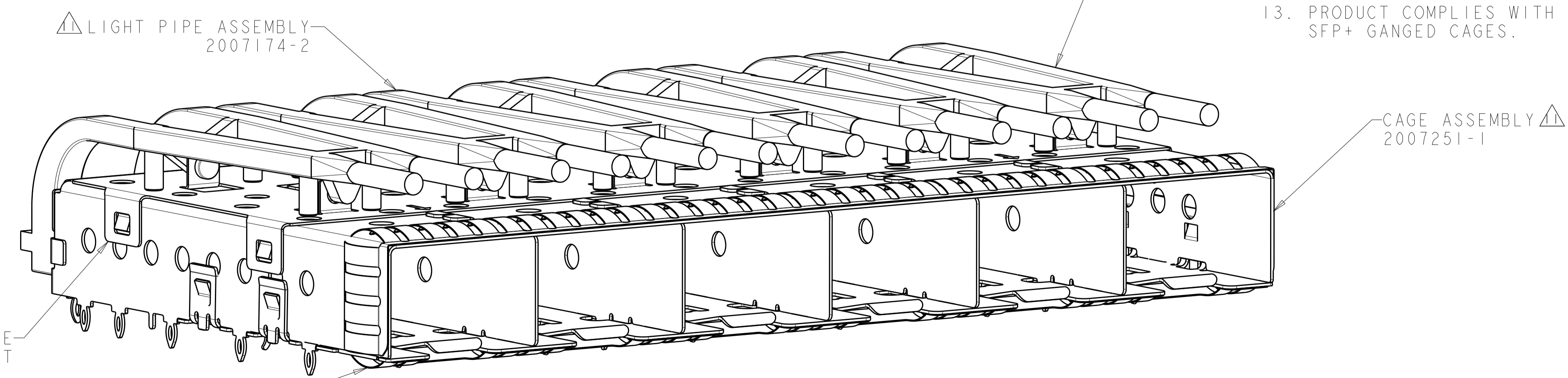


LOC	DIST	REVISIONS			
P	LTN	DESCRIPTION	DATE	DWN	APVD
GP	00	A	RELEASED	26FEB2016	JW SH



- 1. MATERIAL:
CAGE ASSEMBLY: 0.25mm THICK NICKEL SILVER ALLOY.
LIGHT PIPE CLIP: STAINLESS STEEL
LIGHT PIPE: POLYCARBONATE, CLEAR
- 2. FINISH:
SPRINGS: MINIMUM OF 0.8um TIN PLATE OVER A MINIMUM OF 0.8um NICKEL UNDERPLATE.
NON-PLATED EDGES PERMISSIBLE.
- 3. MATES WITH SFP MSA COMPLIANT TRANSCEIVERS.
- 4. PADS AND VIAS CHASSIS GROUND.
- 5. INTERPRETATION OF DATUM REFERENCE FRAME IN ACCORDANCE WITH SECT 4.4.1.1 OF ASME Y14.5M-1994.
- 6. MINIMUM PCB BOARD THICKNESS:
SINGLE SIDED = 1.50
DOUBLE SIDED = 2.25
- 7. HOLE PATTERN REPEATS FOR EACH PORT. SPACING BETWEEN PORTS IS 14.25mm.
- 8. DATUM AND BASIC DIMENSION ESTABLISHED BY CUSTOMER.
- 9. REFERENCE APPLICATION SPEC. 114-13120, HOLE A, FOR RECOMMENDED DRILL HOLE DIAMETER AND PLATING THICKNESS.
- 10. REFERENCE APPLICATION SPEC. 114-13120, HOLE B, FOR RECOMMENDED DRILL HOLE DIAMETER AND PLATING THICKNESS.
- 11. LIGHT PIPE ASSEMBLY SHIPPED UNASSEMBLED TO CAGE ASSEMBLY. CAGE ASSEMBLY TO BE PRESSED INTO THE PCB PRIOR TO ATTACHING THE LIGHT PIPE ASSEMBLY TO THE CAGE.
- 12. CERTAIN MATING TRANSCEIVERS MAY REQUIRE ADDITIONAL PCB THICKNESS THAT WOULD NEED TO BE DETERMINED BY THE CUSTOMER.
- 13. PRODUCT COMPLIES WITH SPECIFICATION SFF-8433 IMPROVED PLUGGABLE FORM FACTOR FOR SFP+ GANGED CAGES.

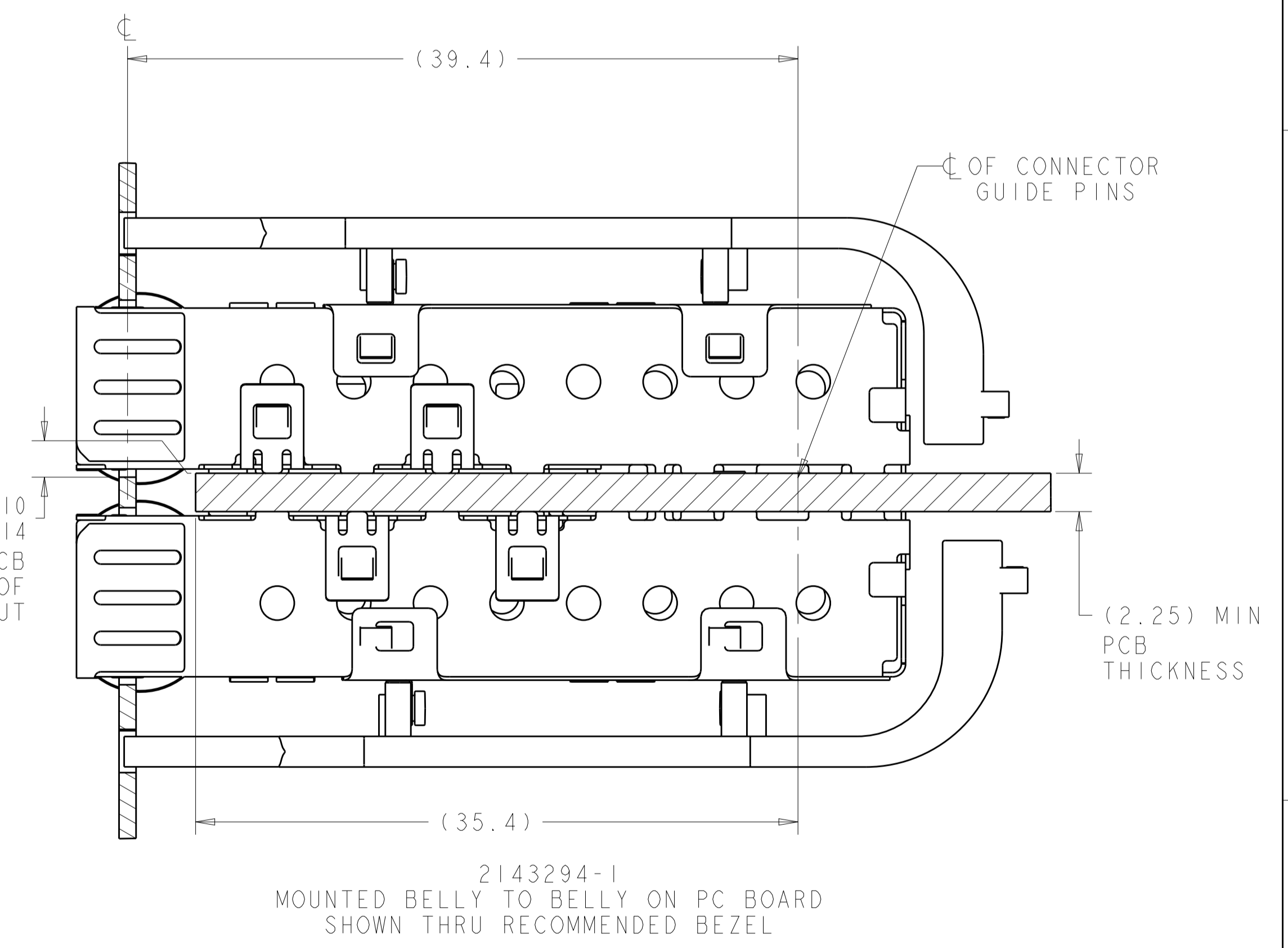
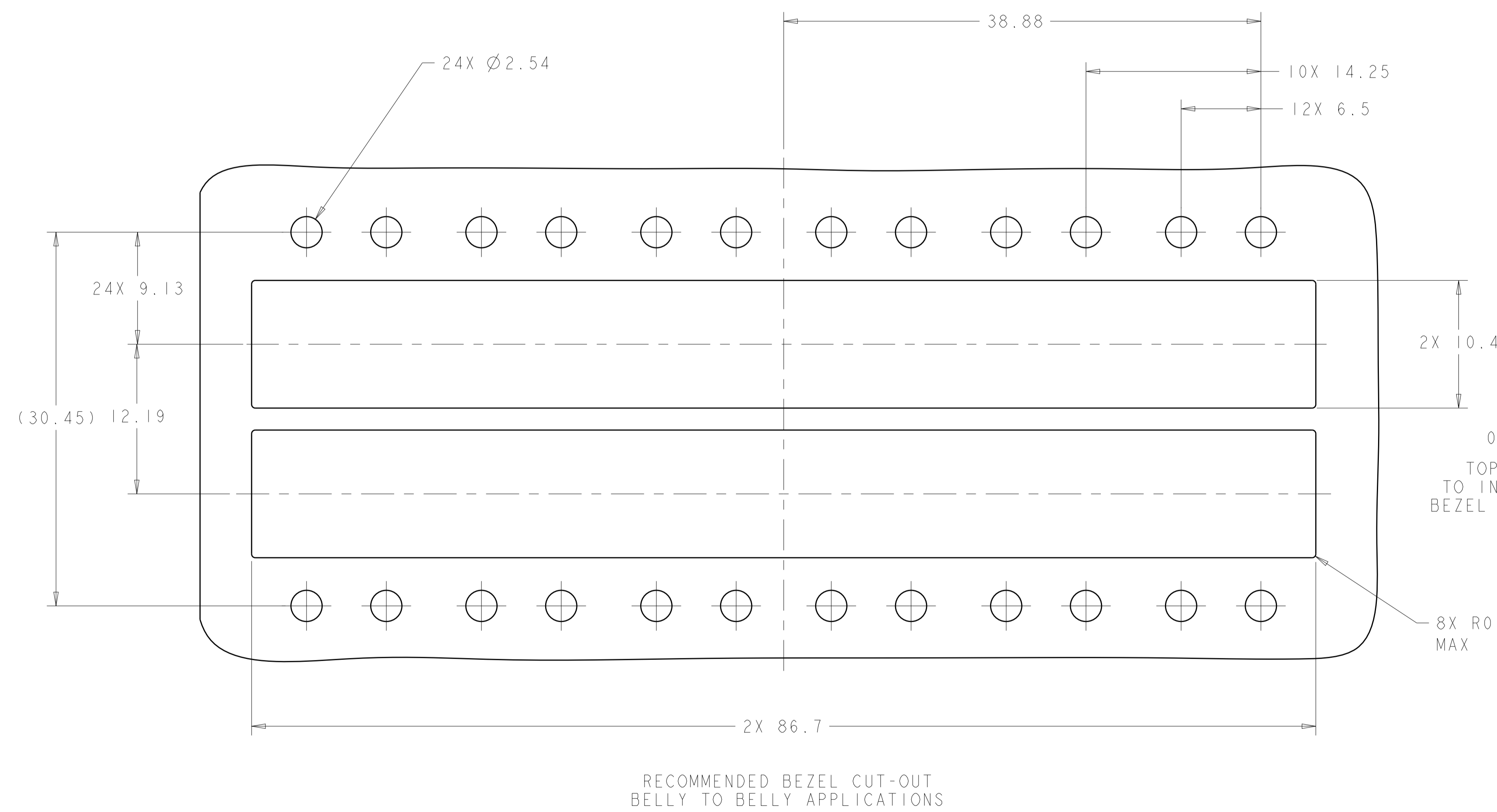
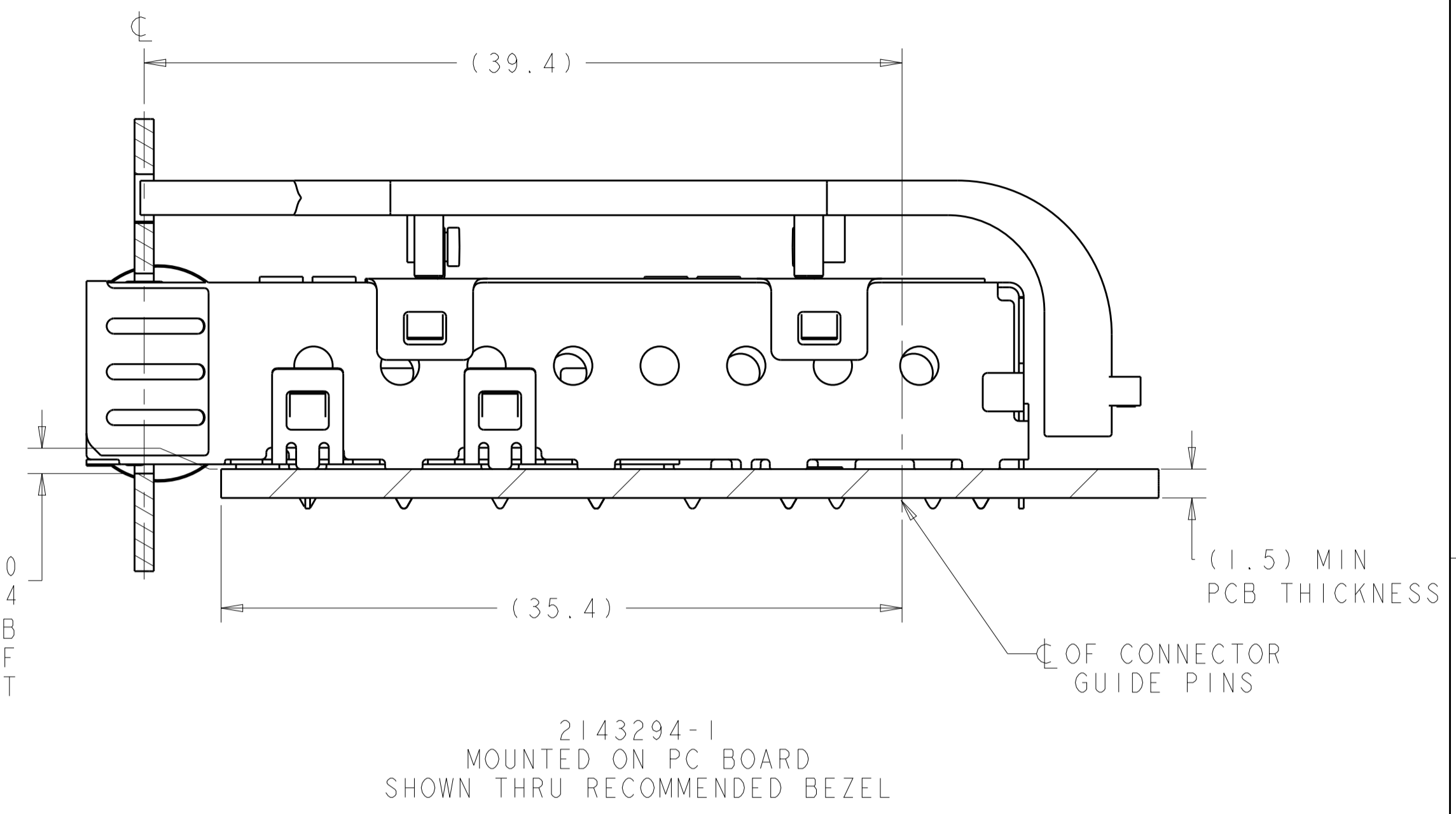
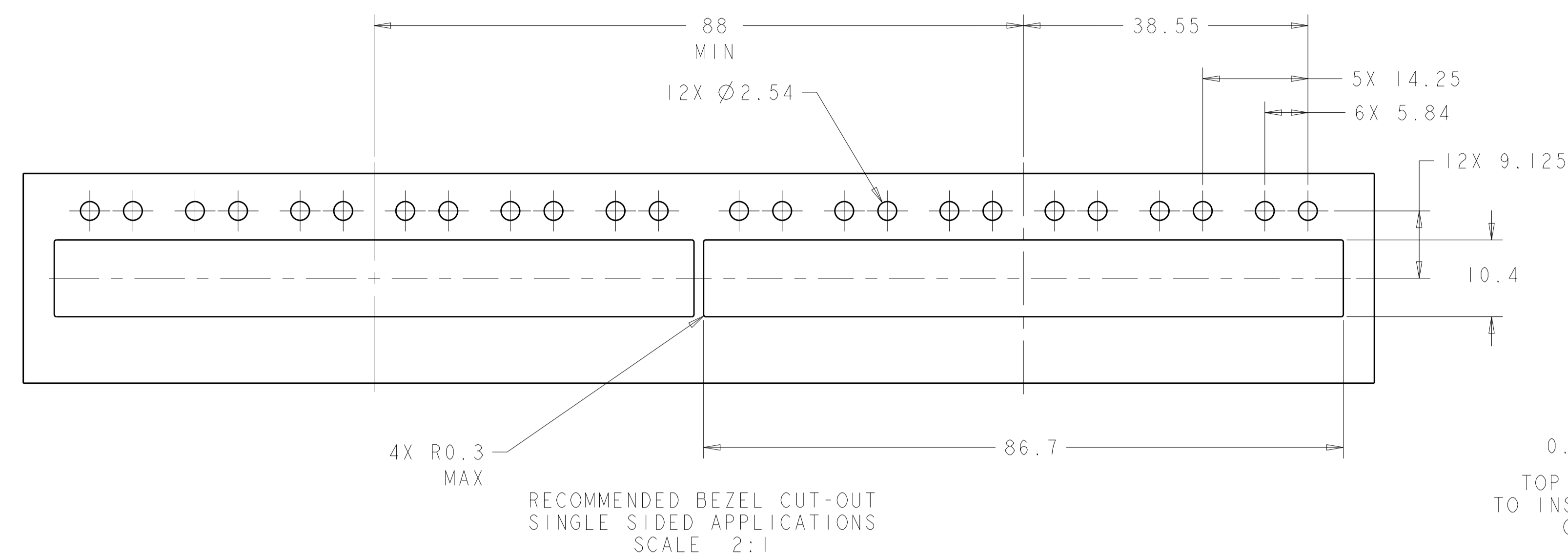


2143294-1
FINISHED ASSEMBLY
SCALE 4:1

2143294-1
PART NUMBER

THIS DRAWING IS A CONTROLLED DOCUMENT.		DWN: C. ROHLER 24FEB2010	TE Connectivity
DIMENSIONS: mm		CHK: M. SCHMITT 24FEB2010	
TOLERANCES UNLESS OTHERWISE SPECIFIED:		APVD: B. WERTZ 24FEB2010	NAME: SFP+ 1X6 CAGE ASSEMBLY
0 PLC ±0.1		PRODUCT SPEC: 108-2364	PRESS FIT, EXTERNAL EMI SPRINGS
1 PLC ±0.1		APPLICATION SPEC: 114-13120	WITH REDUCED LENGTH LIGHT PIPES
2 PLC ±0.1		SIZE: A1	RESTRICTED TO
3 PLC ±0.1		WEIGHT: -	SCALE: 4:1
4 PLC ±0.1		CUSTOMER DRAWING	SHEET 1 OF 4
ANGLES ±1°			REV A
FINISH: ±1°			

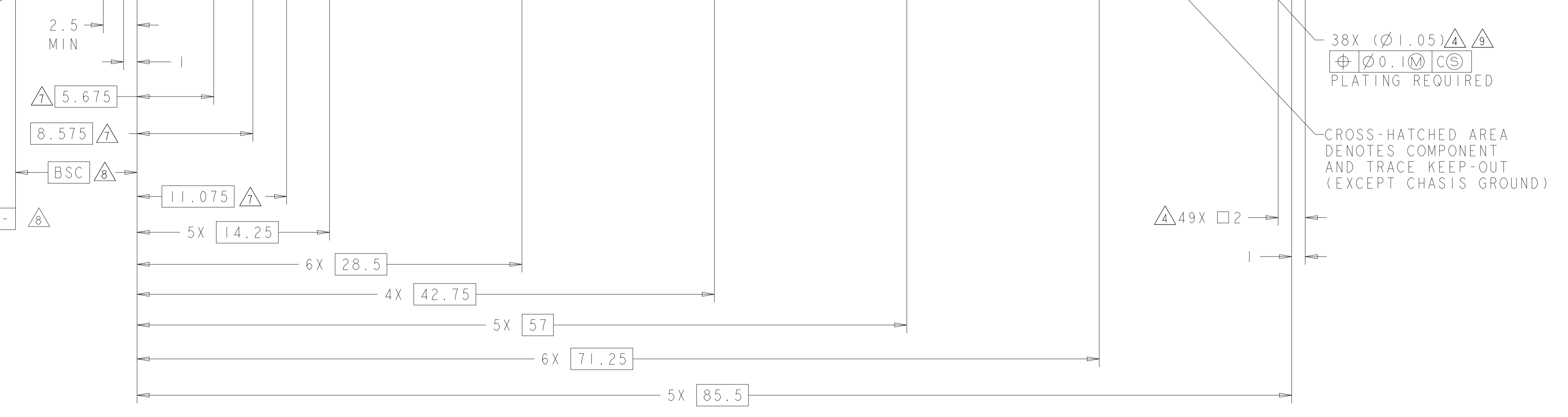
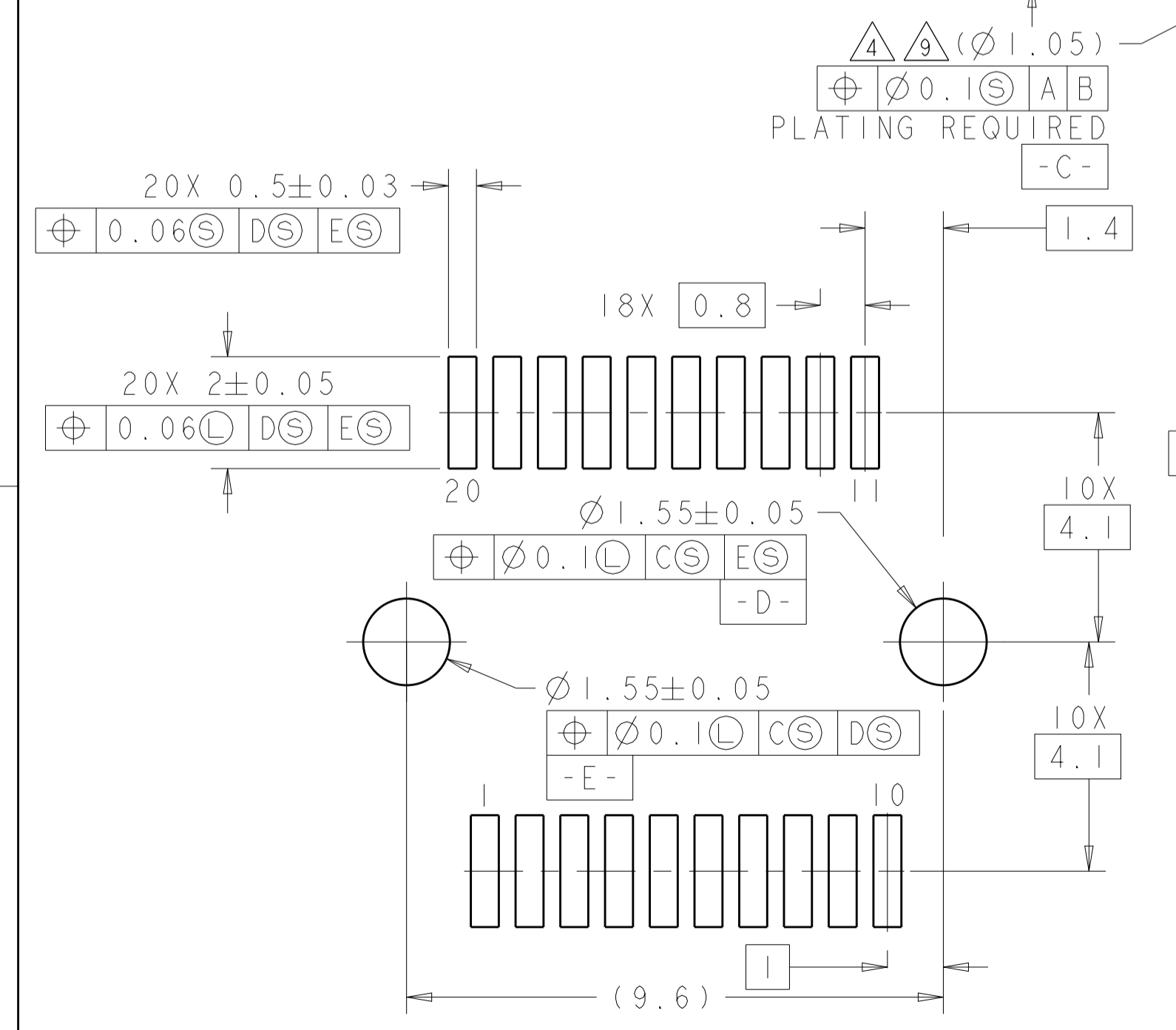
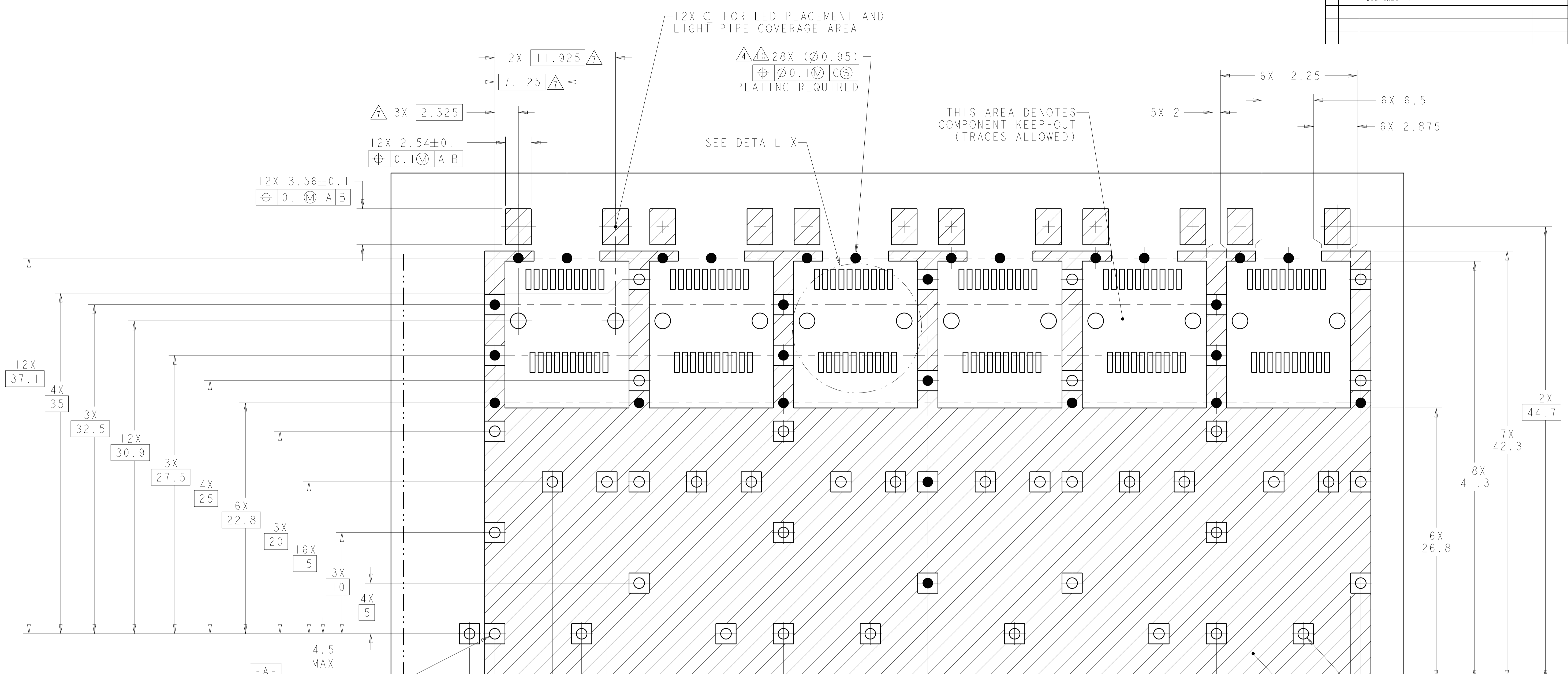
LOC		DIST		REVISIONS			
GP	00	P	LTN	DESCRIPTION	DATE	DMN	APVD
				SEE SHEET 1			



THIS DRAWING IS A CONTROLLED DOCUMENT.		DMN C. ROHLER 24FEB2010	 TE Connectivity
DIMENSIONS:		CHK M. SCHMITT 24FEB2010	
mm	TOLERANCES UNLESS OTHERWISE SPECIFIED:	APVD B. WERTZ 24FEB2010	NAME SFP+ 1X6 CAGE ASSEMBLY PRESS FIT, EXTERNAL EMI SPRINGS WITH REDUCED LENGTH LIGHT PIPES
Ø	0 PLC ±0.1	PRODUCT SPEC	SIZE CAGE CODE DRAWING NO RESTRICTED TO
	1 PLC ±0.1	108-2364	A100779C=2143294
	2 PLC ±0.1	APPLICATION SPEC	SCALE 4:1 SHEET 2 OF 4 REV A
	3 PLC ±0.1	114-13120	
	4 PLC ±0.1	WEIGHT	
	ANGLES ±1°	CUSTOMER DRAWING	
MATERIAL	FINISH		

LOC	DIST	REV	DATE	BY	APPV
GP	00				

REVISIONS			
NO.	DESCRIPTION	DATE	BY
1	SEE SHEET 1		

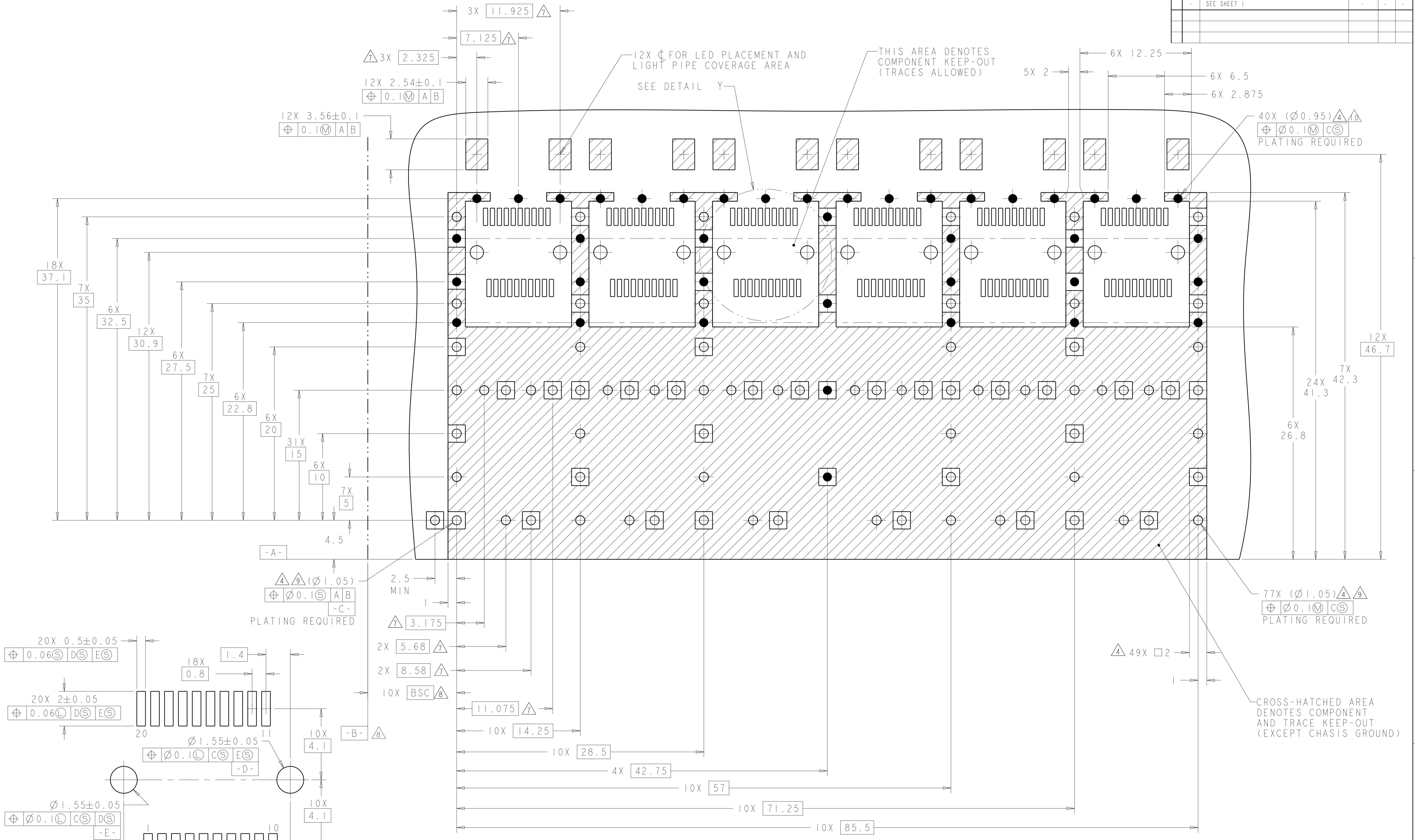


RECOMMENDED PCB CONFIGURATION WITH KEEP-OUT AREAS SINGLE SIDED APPLICATIONS SCALE 5:1

THIS DRAWING IS A CONTROLLED DOCUMENT.		OWN: C. ROHLER 24FEB2010	 TE Connectivity
DIMENSIONS: mm		CHK: M. SCHMITZ 24FEB2010	
TOLERANCES UNLESS OTHERWISE SPECIFIED:		APV: B. WERTZ 24FEB2010	NAME: SFP+ 1X6 CAGE ASSEMBLY PRESS FIT, EXTERNAL EMI SPRINGS WITH REDUCED LENGTH LIGHT PIPES
0 PLC ±0.1 1 PLC ±0.1 2 PLC ±0.1 3 PLC ±0.1 4 PLC ±0.1 ANGLES ±1°		PRODUCT SPEC: 108-2364 APPLICATION SPEC: 114-13120 WEIGHT: -	
MATERIAL: -		CUSTOMER DRAWING	SIZE: A1 CAGE CODE: 00779 DRAWING NO: 2143294 SCALE: 4:1 SHEET: 3 OF 4 REV: A

LOC	DIST	REV	DATE	APP'D
GP	00			

REVISIONS				
NO.	DESCRIPTION	DATE	BY	APP'D
1	SEE SHEET 1			



RECOMMENDED PC BOARD CONFIGURATION
WITH KEEP-OUT AREAS
BELLY TO BELLY APPLICATIONS Δ
SCALE 5:1

DETAIL Y
RECOMMENDED PT CONNECTOR LAYOUT
12X INDIVIDUALLY
SCALE 10:1

THIS DRAWING IS A CONTROLLED DOCUMENT.		OWN: C. ROHLER 24FEB2010	TE Connectivity
DIMENSIONS: mm		CHK: M. SCHMITT 24FEB2010	
TOLERANCES UNLESS OTHERWISE SPECIFIED:		APP'D: B. WERTZ 24FEB2010	NAME: SFP+ 1X6 CAGE ASSEMBLY PRESS FIT, EXTERNAL EMI SPRINGS WITH REDUCED LENGTH LIGHT PIPES
0 PLC \pm 0.1		PRODUCT SPEC: 108-2364	
1 PLC \pm 0.1		APPLICATION SPEC: 114-13120	SIZE: CAGE CODE DRAWING NO: A100779C=2143294 WEIGHT: - CUSTOMER DRAWING
2 PLC \pm 0.1		SCALE: 4:1	
3 PLC \pm 0.1		SHEET: 4 OF 4	
4 PLC \pm 0.1		REV: A	
ANGLES \pm 0.1			
FINISH: μ m			

Mouser Electronics

Authorized Distributor

Click to View Pricing, Inventory, Delivery & Lifecycle Information:

[TE Connectivity:](#)

[2143294-1](#)