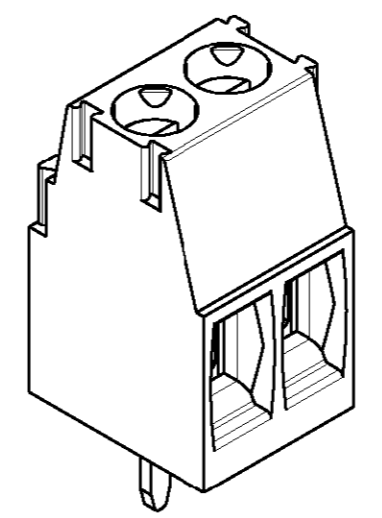
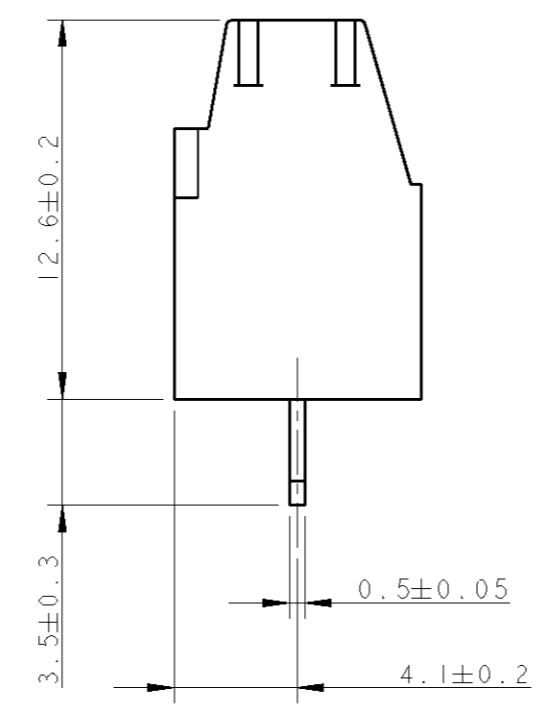
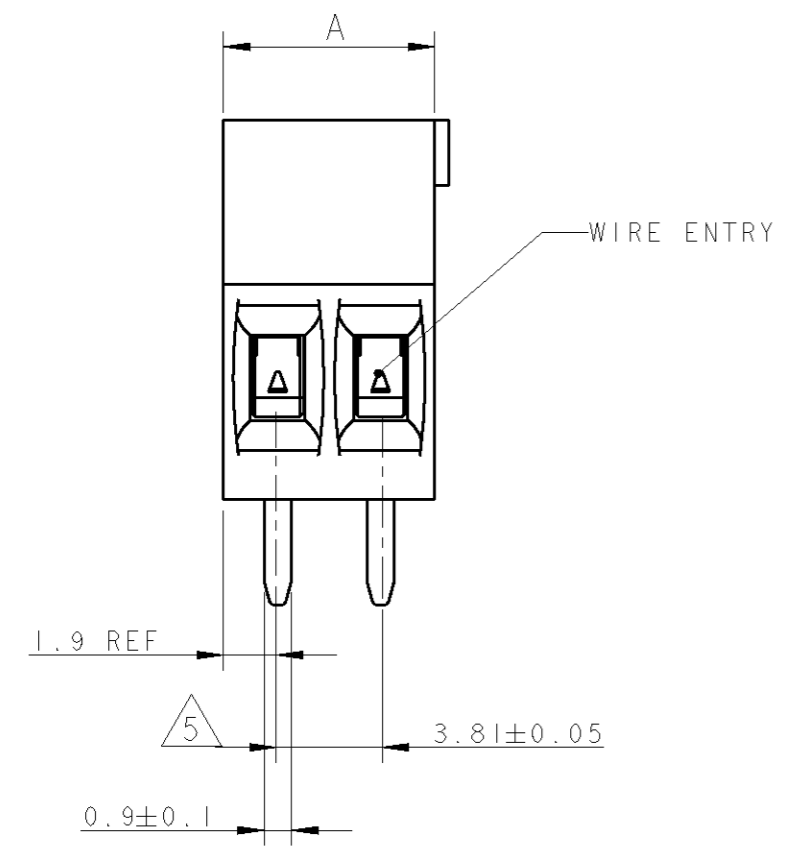
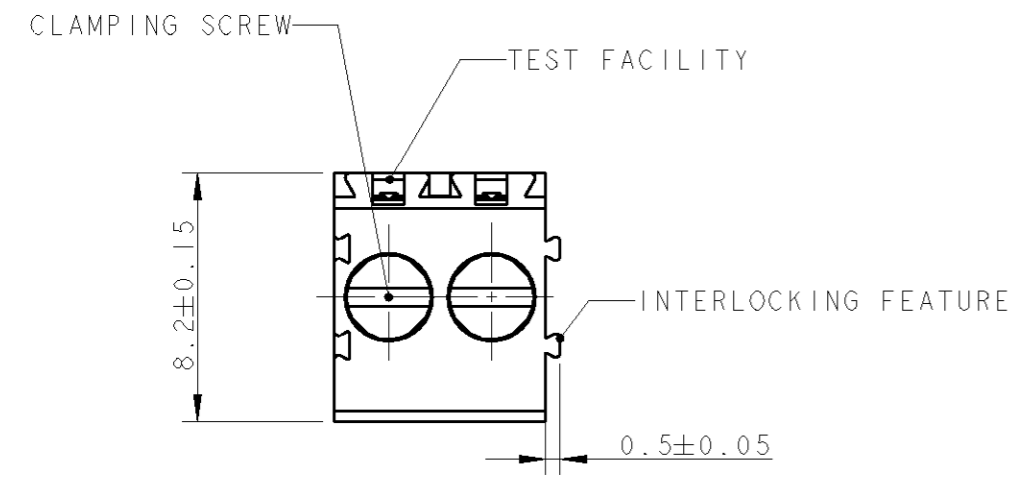


THIS DRAWING IS UNPUBLISHED. RELEASED FOR PUBLICATION 20  
 © COPYRIGHT BY ALL RIGHTS RESERVED.

| LOC | DIST | REVISIONS   |                           |         |        |  |
|-----|------|-------------|---------------------------|---------|--------|--|
| P   | LTR  | DESCRIPTION | DATE                      | DWN     | APVD   |  |
| FT  | 0    | B1          | REVISED PER ECO-11-005294 | 29APR11 | RK HMR |  |



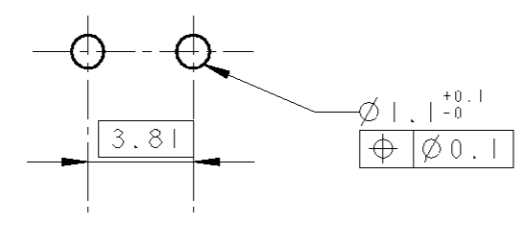
P/N 284392-2 AS SHOWN



- 1. MATERIALS AND FINISH  
 HOUSING : PA 6.6, UL 94-V0, COLOR GREEN.  
 CLAMP : BRASS, NICKEL PLATED  
 TERMINAL : BRASS, TIN PLATED  
 CLAMPING SCREW : M3, BRASS, NICKEL PLATED
- 2. SUITABLE FOR 1.6-2.4 mm. PCB BOARD THICKNESS.
- 3. END-TO-END STACKABLE W/INTERLOCK WITHOUT LOSS OF CENTERLINE SPACING
- 4. WIRE SIZE RANGE  
 14 - 30 AWG
- 5. NOT CUMULATIVE TOLERANCE

| DIM "A" | NO. OF POS | PART NUMBER |
|---------|------------|-------------|
| 95.25   | 25         | 2-284392-5  |
| 91.44   | 24         | 2-284392-4  |
| 87.63   | 23         | 2-284392-3  |
| 83.82   | 22         | 2-284392-2  |
| 80.01   | 21         | 2-284392-1  |
| 76.20   | 20         | 2-284392-0  |
| 72.39   | 19         | 1-284392-9  |
| 68.58   | 18         | 1-284392-8  |
| 64.77   | 17         | 1-284392-7  |
| 60.96   | 16         | 1-284392-6  |
| 57.15   | 15         | 1-284392-5  |
| 53.34   | 14         | 1-284392-4  |
| 49.53   | 13         | 1-284392-3  |
| 45.72   | 12         | 1-284392-2  |
| 41.91   | 11         | 1-284392-1  |
| 38.10   | 10         | 1-284392-0  |
| 34.29   | 9          | 284392-9    |
| 30.48   | 8          | 284392-8    |
| 26.67   | 7          | 284392-7    |
| 22.86   | 6          | 284392-6    |
| 19.05   | 5          | 284392-5    |
| 15.24   | 4          | 284392-4    |
| 11.43   | 3          | 284392-3    |
| 7.62    | 2          | 284392-2    |

RECOMMENDED PCB BOARD LAYOUT



|                   |  |   |  |  |  |  |  |
|-------------------|--|---|--|--|--|--|--|
| DIMENSIONS:<br>mm |  | TOLERANCES UNLESS OTHERWISE SPECIFIED:<br>0 PLC ±.3<br>1 PLC ±.3<br>2 PLC ±.25<br>3 PLC ±.<br>4 PLC ±.<br>ANGLES ±2 |  | DWN 01FEB2002<br>E. ZANOLINI<br>CHR 01FEB2002<br>E. ZANOLINI<br>APVD 01FEB2002<br>D. BIEVENOUR<br>PRODUCT SPEC<br>108-20166<br>APPLICATION SPEC<br>114-20079<br>WEIGHT - |  | <b>STE</b> TE Connectivity<br>NAME<br>TERMINAL BLOCK, PCB MOUNT, STRAIGHT<br>SIDE ENTRY WIRE, STACKING<br>W/ INTERLOCK, 3.81mm PITCH |  |
| MATERIAL 1        |  | FINISH 1  |  | CUSTOMER DRAWING   |  | SIZE A3<br>CAGE CODE 00779<br>DRAWING NO C=284392<br>RESTRICTED TO -   |  |
|                   |  |   |  | SCALE 4:1  |  | SHEET 1 OF 1 REV B1  |  |

# Mouser Electronics

Authorized Distributor

Click to View Pricing, Inventory, Delivery & Lifecycle Information:

[TE Connectivity:](#)

[2-284392-5](#)