

4

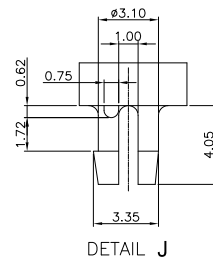
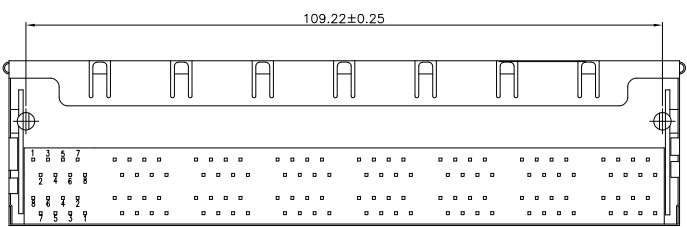
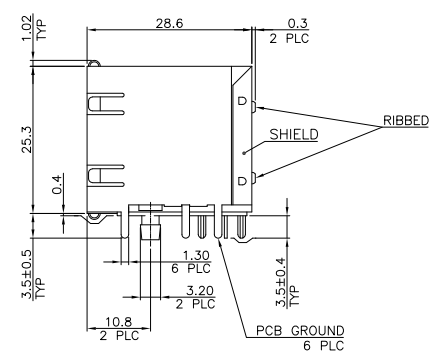
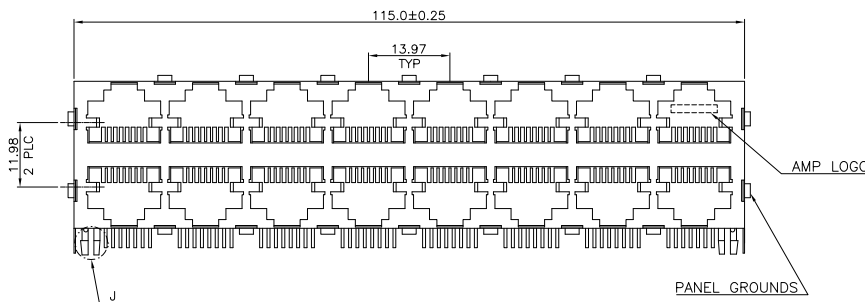
3

2

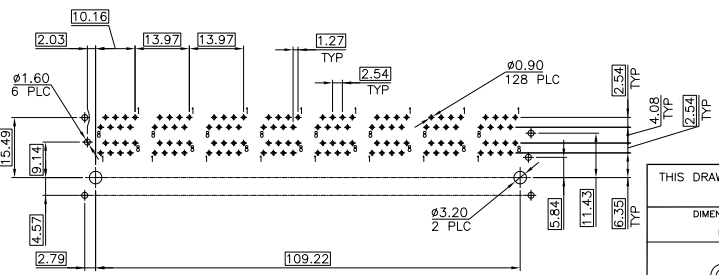
1

THIS DRAWING IS UNPUBLISHED. RELEASED FOR PUBLICATION
 © COPYRIGHT BY TYCO ELECTRONICS CORPORATION. ALL RIGHTS RESERVED.

LOC	DIST	REVISIONS				
P	LTR	DESCRIPTION	DATE	DWN	APVD	
DW	-	SEE SHEET 1.				



- NOTE:
- MATERIAL:
HOUSING: PBT WITH 30% GF, UL 94V-0, BLACK COLOR.
CONTACTS: PHOSPHOR BRONZE.
SHIELD: BRASS.
 - FINISH:
CONTACTS: (SEE TABLE) GOLD PLATED ON CONTACT AREA,
GOLD FLASH ON SOLDER TAIL, WITH ENTIRE
CONTACT UNDERPLATED 1.27µm [50µ"] MIN. NICKEL.
 - WAVE SOLDER CAPABLE TO 240°C PER TYCO TEST SPEC.
109-202, CONDITION A.



NO. OF PORTS	SHIELD PLATING	TIN PLATED ON PCB GROUNDS	MIN. GOLD THICKNESS	PART NUMBER
16	25µ" MIN. NICKEL	W/O	6µ"	2-1734473-8
			30µ"	2-1734473-7
	W/	15µ"	2-1734473-3	
		6µ"	2-1734473-2	

RECOMMENDED PCB LAYOUT (THICKNESS: 1.6mm)
 DIMENSION TOLERANCE: (1 PLC: ±0.1 2PLC: ±0.05)

THIS DRAWING IS A CONTROLLED DOCUMENT.

DIMENSIONS: MM	TOLERANCES UNLESS OTHERWISE SPECIFIED:	DWN	CHK	APVD	NAME
0 PLC ± 0.50	1 PLC ± 0.38				Tyco Electronics
2 PLC ± 0.25	3 PLC ± 0.10				Taipei, Taiwan
4 PLC ± -	ANGLES ± -				
MATERIAL SEE NOTE	FINISH SEE NOTE	PRODUCT SPEC	108-57535		
		QUALIFICATION TEST REPORT	501-57625		
		WEIGHT	90.5 GRAMS	SIZE	A3
		CAGE CODE	00779	DRAWING NO	1734473
		CUSTOMER DRAWING		RESTRICTED TO	-
		SCALE	-	SHEET	2 of 5
		REV	B2		

4

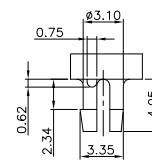
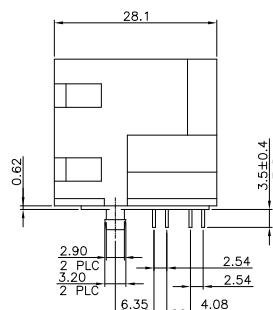
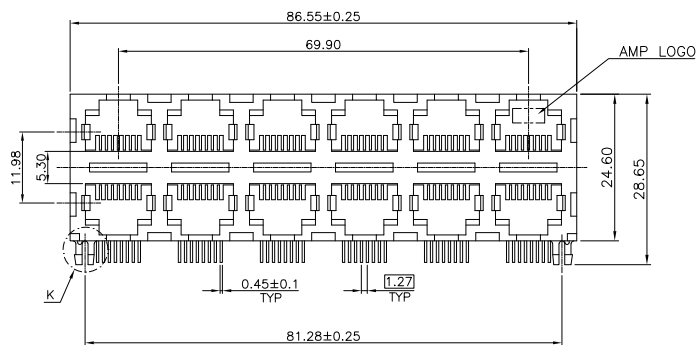
3

2

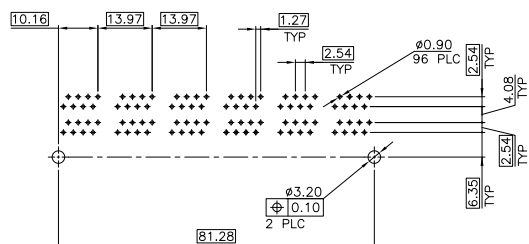
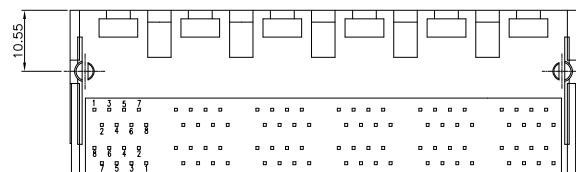
1

THIS DRAWING IS UNPUBLISHED. RELEASED FOR PUBLICATION
 © COPYRIGHT - BY TYCO ELECTRONICS CORPORATION. ALL RIGHTS RESERVED.

LOC	DIST	REVISIONS			
P	LTR	DESCRIPTION	DATE	DWN	APVD
DW	-	SEE SHEET 1.			



DETAIL K



RECOMMENDED PCB LAYOUT (THICKNESS: 1.6mm)
 DIMENSION TOLERANCE: (1 PLC: ±0.1 2PLC: ±0.05)

NOTE:

- MATERIAL:
HOUSING: PBT WITH 30% GF, UL 94V-0, BLACK COLOR.
CONTACTS: PHOSPHOR BRONZE.
- FINISH:
CONTACTS: (SEE TABLE) GOLD PLATED ON CONTACT AREA,
GOLD FLASH ON SOLDER TAIL, WITH ENTIRE
CONTACT UNDERPLATED 1.27µm [50µ"] MIN. NICKEL.
- WAVE SOLDER CAPABLE TO 240°C PER TYCO TEST SPEC.
109-202, CONDITION A.
- THIS PRODUCT WITHOUT SHIELD.

NO. OF PORTS	MIN. GOLD THICKNESS		PART NUMBER
	30µ"	15µ"	
12	7-1734473-3	7-1734473-2	
	6µ"	7-1734473-1	

THIS DRAWING IS A CONTROLLED DOCUMENT.		DWN	Tyco Electronics Corporation Taipei, Taiwan	
DIMENSIONS: MM	TOLERANCES UNLESS OTHERWISE SPECIFIED:	CHK	NAME	
0 PLC ± 0.50	1 PLC ± 0.38	APVD	PRODUCT SPEC	
2 PLC ± 0.25	3 PLC ± 0.10	108-57535		
4 PLC ± -	ANGLES ± -	QUALIFICATION TEST REPORT		
MATERIAL SEE NOTE	FINISH SEE NOTE	501-57625	SIZE	CAGE CODE
		70 GRAMS	A3	00779
		CUSTOMER DRAWING	DRAWING NO	1734473
			RESTRICTED TO	-
			SCALE	-
			SHEET	3 of 5
			REV	B2

4

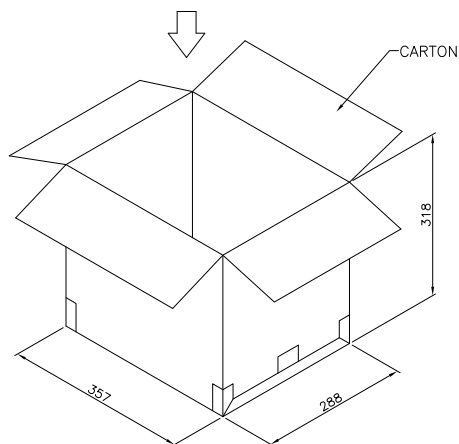
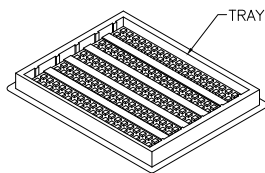
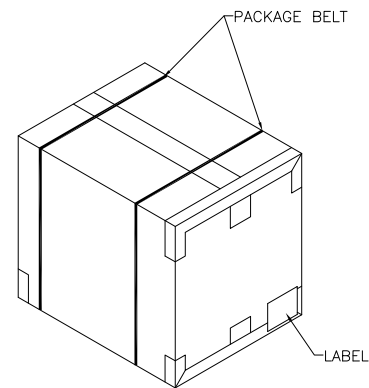
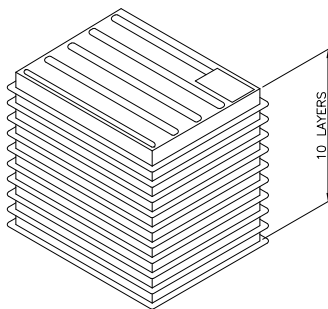
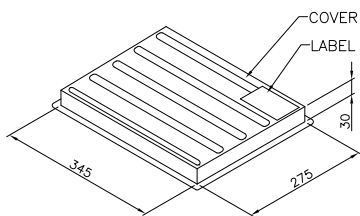
3

2

1

THIS DRAWING IS UNPUBLISHED. RELEASED FOR PUBLICATION
 © COPYRIGHT - BY TYCO ELECTRONICS CORPORATION. ALL RIGHTS RESERVED.

LOC	DIST	REVISIONS					
DW	-	P	LTR	DESCRIPTION	DATE	DWN	APVD
				SEE SHEET 1.			



12.5 Kg	10.5 Kg	15	10	150 PCS	6-1734473-X
12.5 Kg	10.5 Kg	15	10	150 PCS	1-1734473-X
GROSS WEIGHT	NET WEIGHT	PCS/TRAY	TRAYS/CARTON	QUANTITY	PART NUMBER

THIS DRAWING IS A CONTROLLED DOCUMENT.		DWN	Tyco Electronics Corporation Taipei, Taiwan		
DIMENSIONS: MM		CHK	NAME		
TOLERANCES UNLESS OTHERWISE SPECIFIED:		APVD	MODULAR JACK RJ45, STACKED, MULTI-PORT, SHIELDED, THRU-HOLE, PANEL GROUND		
0 PLC ± -		PRODUCT SPEC	SIZE CAGE CODE DRAWING NO RESTRICTED TO		
1 PLC ± -		APPLICATION SPEC	A3 00779 C=1734473 -		
2 PLC ± -		WEIGHT	CUSTOMER DRAWING SCALE SHEET 4 of 5 REV B2		
3 PLC ± -					
4 PLC ± -					
ANGLES ± -					
MATERIAL FINISH					

4

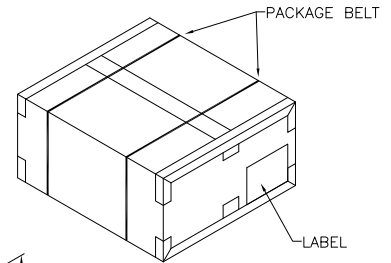
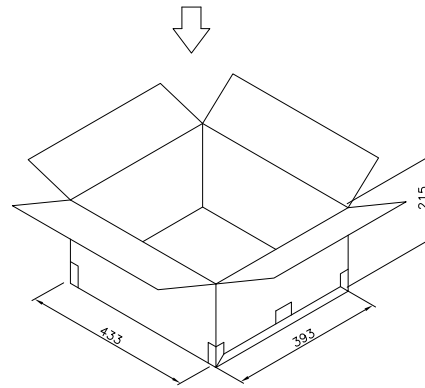
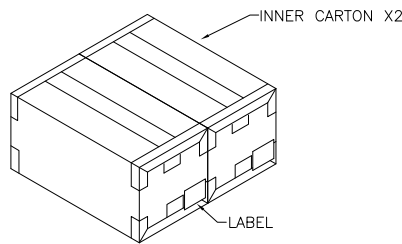
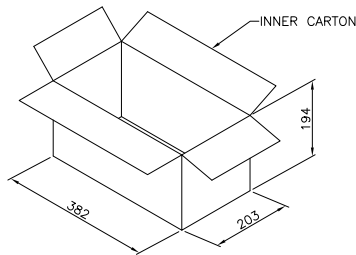
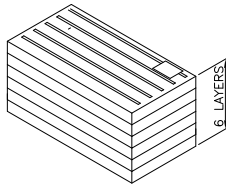
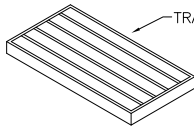
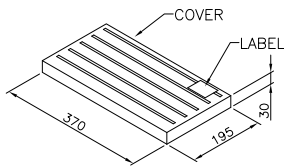
3

2

1

THIS DRAWING IS UNPUBLISHED. RELEASED FOR PUBLICATION
 © COPYRIGHT - BY TYCO ELECTRONICS CORPORATION. ALL RIGHTS RESERVED.

LOC	DIST	REVISIONS			
P	LTR	DESCRIPTION	DATE	DWN	APVD
DW	-	SEE SHEET 1.			



18 Kg	16.5 Kg	20	6	240 PCS	7-1734473-X
18 Kg	16.5 Kg	15	6	180 PCS	2-1734473-X
GROSS WEIGHT	NET WEIGHT	PCS/TRAY	TRAYS / CARTON	QUANTITY	PART NUMBER

THIS DRAWING IS A CONTROLLED DOCUMENT.		DWN
DIMENSIONS: MM		CHK
TOLERANCES UNLESS OTHERWISE SPECIFIED:		APVD
0 PLC ± -		PRODUCT SPEC
1 PLC ± -		APPLICATION SPEC
2 PLC ± -		WEIGHT
3 PLC ± -		CUSTOMER DRAWING
4 PLC ± -		
ANGLES ± -		
MATERIAL	FINISH	

Tyco Electronics		Tyco Electronics Corporation Taipei, Taiwan	
NAME			
MODULAR JACK RJ45, STACKED, MULTI-PORT, SHIELDED, THRU-HOLE, PANEL GROUND			
SIZE	CAGE CODE	DRAWING NO	RESTRICTED TO
A3	00779	C=1734473	-
SCALE		SHEET	REV
-		5 of 5	B2