

Interface module - DFLK 26 - 2280255


Please be informed that the data shown in this PDF Document is generated from our Online Catalog. Please find the complete data in the user's documentation. Our General Terms of Use for Downloads are valid (<http://phoenixcontact.com/download>)



The VARIOFACE feed-through module implements a 1:1 connection between screw connection terminal blocks and an IDC/FLK pin strip (2.54 mm, number of positions: 26).



Key Commercial Data

Packing unit	1 pc
GTIN	 4 017918 054366
Weight per Piece (excluding packing)	83.47 g
Custom tariff number	85369010
Country of origin	Germany

Technical data

Dimensions

Width	39 mm
Height	83.4 mm
Depth	49 mm

Ambient conditions

Ambient temperature (operation)	-20 °C ... 50 °C
Ambient temperature (storage/transport)	-20 °C ... 70 °C

General

Max. perm. operating voltage	< 50 V AC
	60 V DC
Max. perm. current (per branch)	1 A
Max. permissible current (all branches)	26 A (T _A = 50°C)
Number of positions	26

Interface module - DFLK 26 - 2280255

Technical data

General

Status display	No
Mounting position	any
Degree of protection	IP20
Designation	Air clearances and creepage distances
Standards/regulations	DIN EN 50178
	IEC 60664
	IEC 62103
Rated insulation voltage	63 V
Rated surge voltage	0.6 kV (Functional insulation)
Degree of pollution	2
Overvoltage category	II

Connection data for connection 1

Connection name	Field level
Connection in acc. with standard	IEC / EN
Connection method	Screw connection
Stripping length	8 mm
Screw thread	M3
Conductor cross section solid	0.2 mm ² ... 4 mm ²
Conductor cross section flexible	0.2 mm ² ... 2.5 mm ²
Conductor cross section AWG	24 ... 12

Connection data for connection 2

Connection name	Controller level
Connection method	IDC/FLK pin strip (2.54 mm)
Number of connections	1
Number of positions	26

Standards and Regulations

Designation	Air clearances and creepage distances
Standards/regulations	DIN EN 50178
	IEC 60664
	IEC 62103
Degree of pollution	2
Overvoltage category	II

Interface module - DFLK 26 - 2280255

Classifications

eCl@ss

eCl@ss 4.0	27250313
eCl@ss 4.1	27250313
eCl@ss 5.0	27250313
eCl@ss 5.1	27250313
eCl@ss 6.0	27242608
eCl@ss 7.0	27141152
eCl@ss 8.0	27141152
eCl@ss 9.0	27141152

ETIM

ETIM 2.0	EC001434
ETIM 3.0	EC001604
ETIM 4.0	EC001604
ETIM 5.0	EC002780

UNSPSC

UNSPSC 6.01	30211824
UNSPSC 7.0901	39121421
UNSPSC 11	39121421
UNSPSC 12.01	39121421
UNSPSC 13.2	39121421

Approvals

Approvals

Approvals

EAC

Ex Approvals

Approvals submitted

Approval details

Interface module - DFLK 26 - 2280255

Approvals

EAC

Accessories

Accessories

System cable

Cable - FLK 26/EZ-DR/ 50/KONFEK - 2299385



Round cable set, with two 26-pos. socket strips, (1:1 connection), cable length: 0.5 m

Cable - FLK 26/EZ-DR/ 100/KONFEK - 2299398



Round cable set, with two 26-pos. socket strips (1:1 connection), cable length: 1 m

Cable - FLK 26/EZ-DR/ 150/KONFEK - 2299408



Round cable set, with two 26-pos. socket strips (1:1 connection), cable length: 1.5 m

Cable - FLK 26/EZ-DR/ 300/KONFEK - 2299424



Round cable set, with two 26-pos. socket strips (1:1 connection), cable length: 3 m

Interface module - DFLK 26 - 2280255

Accessories

Cable - FLK 26/EZ-DR/ 400/KONFEK - 2299437



Round cable set, with two 26-pos. socket strips (1:1 connection), cable length: 4 m

Cable - FLK 26/EZ-DR/ 600/KONFEK - 2299440



Round cable set, with two 26-pos. socket strips (1:1 connection), cable length: 6 m

Cable - FLK 26/EZ-DR/ 800/KONFEK - 2299453



Round cable set, with two 26-pos. socket strips (1:1 connection), cable length: 8 m

Cable - FLK 26/EZ-DR/1000/KONFEK - 2299466



Round cable set, with two 26-pos. socket strips (1:1 connection), cable length: 10 m

Cable - FLK EZ-DR.../.../... - 2295059

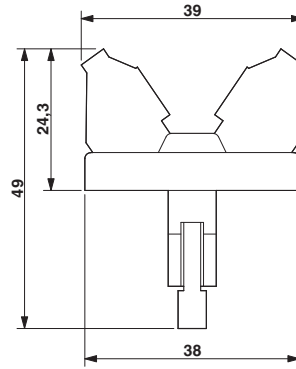


Round cable, with preassembly, not shielded, variable cable length

Drawings

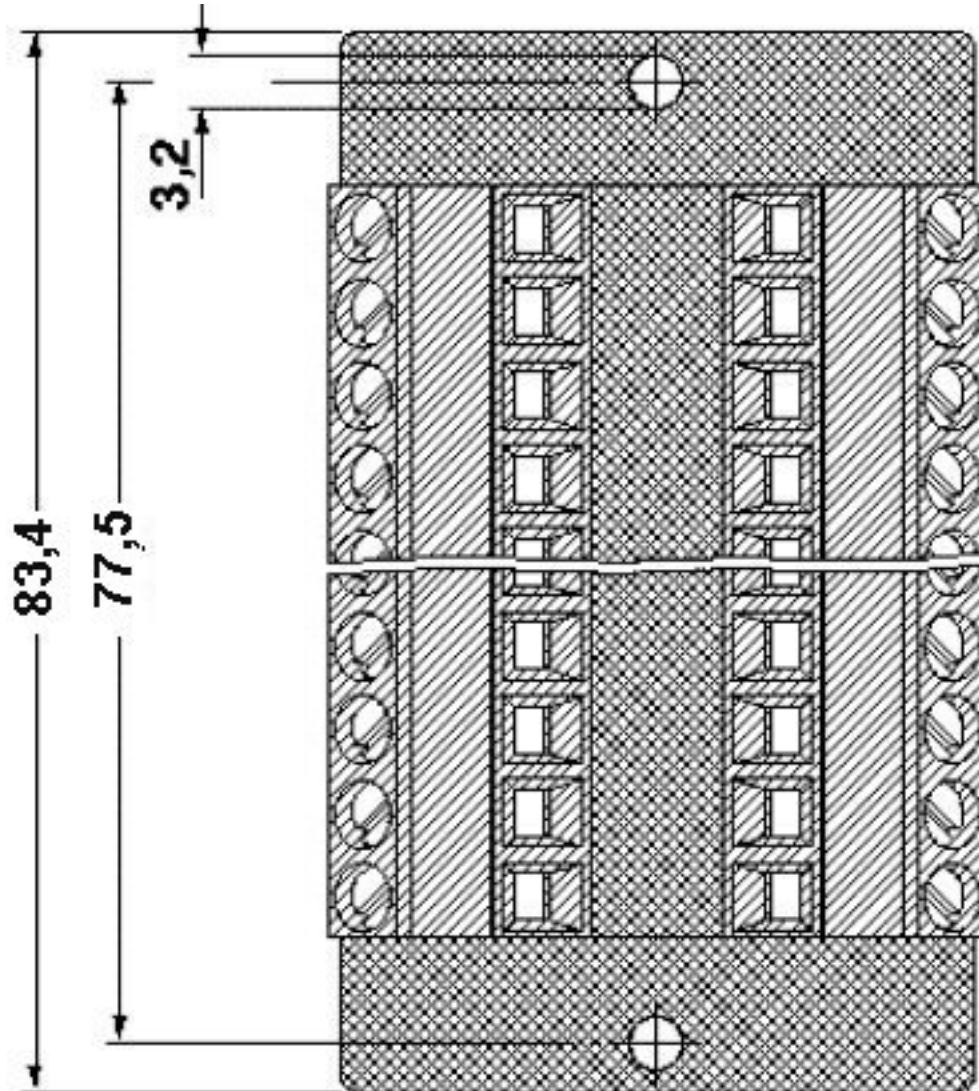
Interface module - DFLK 26 - 2280255

Dimensional drawing



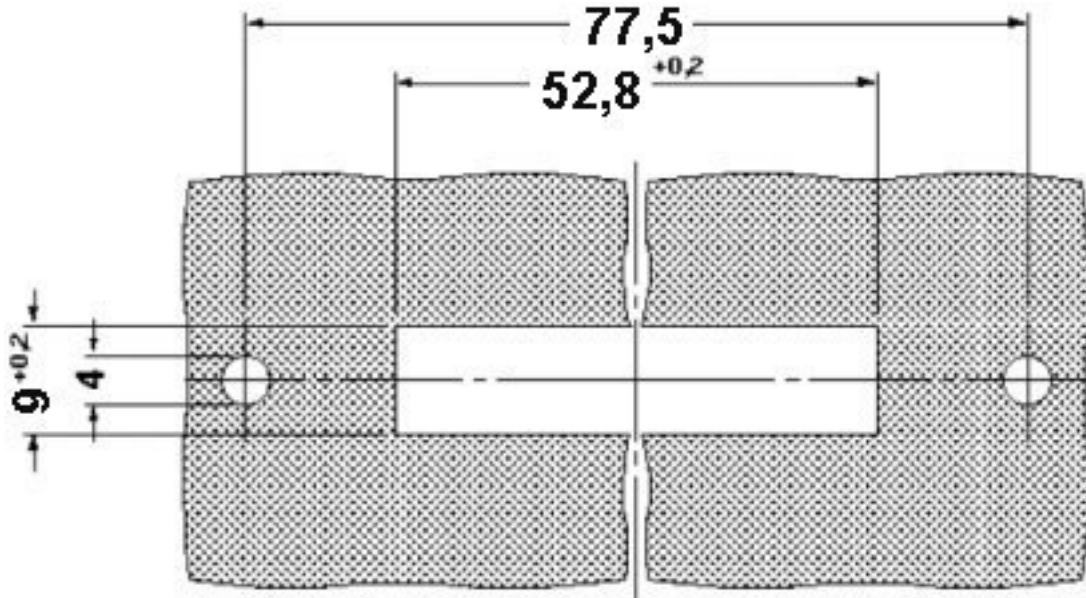
Interface module - DFLK 26 - 2280255

Dimensional drawing



Interface module - DFLK 26 - 2280255

Dimensional drawing



Mouser Electronics

Authorized Distributor

Click to View Pricing, Inventory, Delivery & Lifecycle Information:

[Phoenix Contact:](#)

[2280255](#)