

## Power supply unit - EMG 45-NZG/G 5/SI - 2954963


Please be informed that the data shown in this PDF Document is generated from our Online Catalog. Please find the complete data in the user's documentation. Our General Terms of Use for Downloads are valid (<http://phoenixcontact.com/download>)



Voltage regulator module with fixed-voltage regulator, input 10 V-16 V AC/ 12 V-23 V DC, output 5 V DC/1 A



### Key Commercial Data

Packing unit	1 pc
GTIN	 4 017918 117856
Weight per Piece (excluding packing)	183.3 g
Custom tariff number	85044082
Country of origin	Germany

### Technical data

#### Dimensions

Width	45 mm
Height	86 mm
Depth	75 mm

#### Ambient conditions

Degree of protection	IP20
Ambient temperature (operation)	0 °C ... 55 °C

#### Input data

Nominal input voltage	12 V AC 10 %
Nominal input voltage range	12 V AC ... 13.2 V AC
AC frequency range	60 Hz ... 50 Hz
Nominal power consumption	approx. 41 VA

## Power supply unit - EMG 45-NZG/G 5/SI - 2954963

### Technical data

#### Input data

Input fuse	1.25 A (normal-blow (5 x 20))
------------	-------------------------------

#### Output data

Nominal output voltage	5 V DC $\pm 4$ %
Nominal output current ( $I_N$ )	1 A
Residual ripple	$\leq 150$ mV <sub>PP</sub>
Type of protection	Thermo-electronic disconnect
Protective circuit/component	Varistor

#### General

Net weight	178 g
Operating voltage display	Green LED
Operating mode	100% operating factor
Mounting position	Vertical, horizontal
Assembly instructions	Can be aligned with spacing = 5 mm

#### Connection data, input

Connection method	Screw connection
Conductor cross section solid min.	0.2 mm <sup>2</sup>
Conductor cross section solid max.	4 mm <sup>2</sup>
Conductor cross section flexible min.	0.2 mm <sup>2</sup>
Conductor cross section flexible max.	2.5 mm <sup>2</sup>
Conductor cross section AWG min.	24
Conductor cross section AWG max.	14
Stripping length	8 mm
Screw thread	M3

#### Connection data, output

Connection method	Screw connection
Conductor cross section solid min.	0.2 mm <sup>2</sup>
Conductor cross section solid max.	4 mm <sup>2</sup>
Conductor cross section flexible min.	0.2 mm <sup>2</sup>
Conductor cross section flexible max.	2.5 mm <sup>2</sup>
Conductor cross section AWG min.	24
Conductor cross section AWG max.	14
Stripping length	8 mm
Screw thread	M3

## Power supply unit - EMG 45-NZG/G 5/SI - 2954963

### Classifications

#### eCl@ss

eCl@ss 4.0	27040702
eCl@ss 4.1	27040702
eCl@ss 5.0	27242213
eCl@ss 5.1	27242213
eCl@ss 6.0	27049003
eCl@ss 7.0	27049003
eCl@ss 8.0	27049003

#### ETIM

ETIM 2.0	EC001039
ETIM 3.0	EC001039
ETIM 4.0	EC002045
ETIM 5.0	EC002045

#### UNSPSC

UNSPSC 6.01	30211502
UNSPSC 7.0901	39121004
UNSPSC 11	39121004
UNSPSC 12.01	39121004
UNSPSC 13.2	39121004

### Accessories

#### Accessories

Marking material - EMG-GKS 12 - 2947035

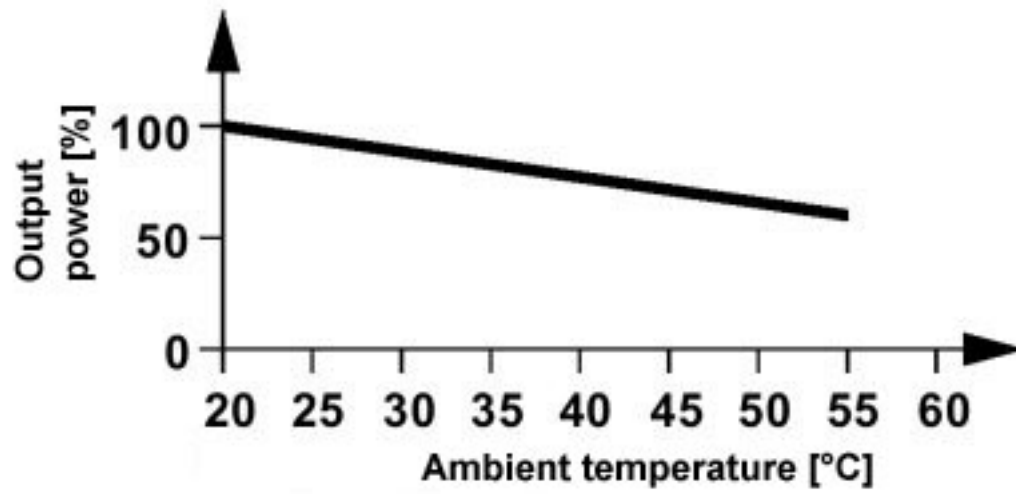


Equipment marker, width 12 mm

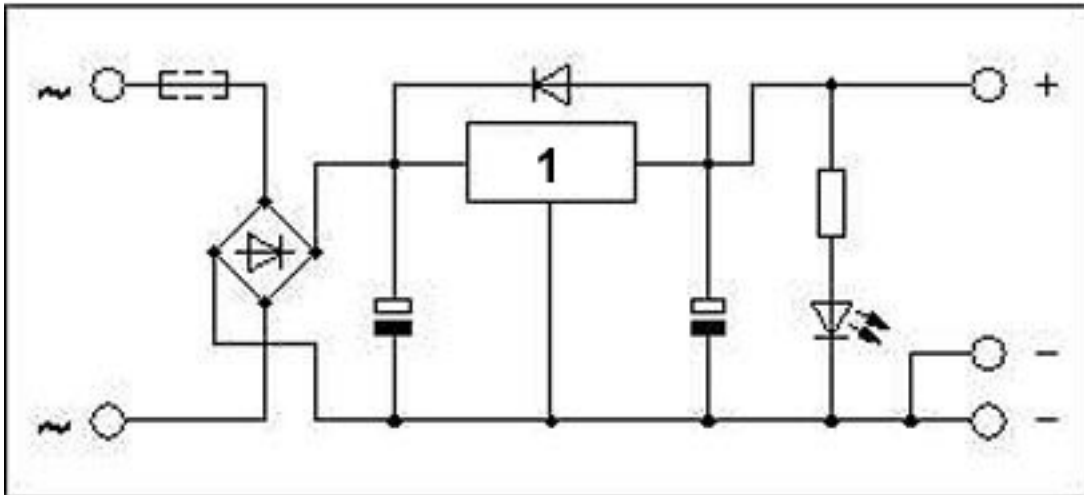
### Drawings

# Power supply unit - EMG 45-NZG/G 5/SI - 2954963

Diagram



Circuit diagram



1 = regulator

# Mouser Electronics

Authorized Distributor

Click to View Pricing, Inventory, Delivery & Lifecycle Information:

[Phoenix Contact:](#)

[2954963](#)