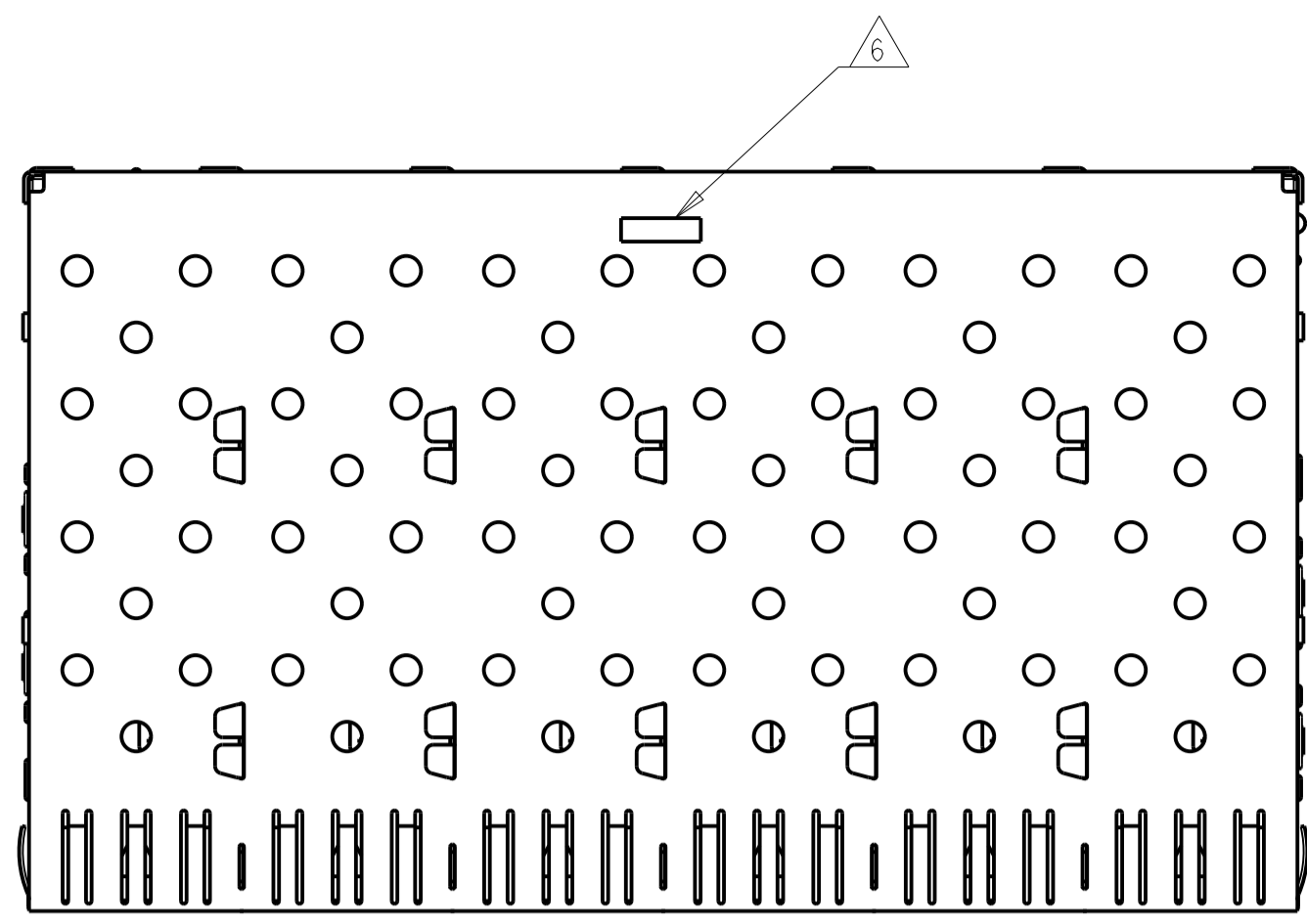
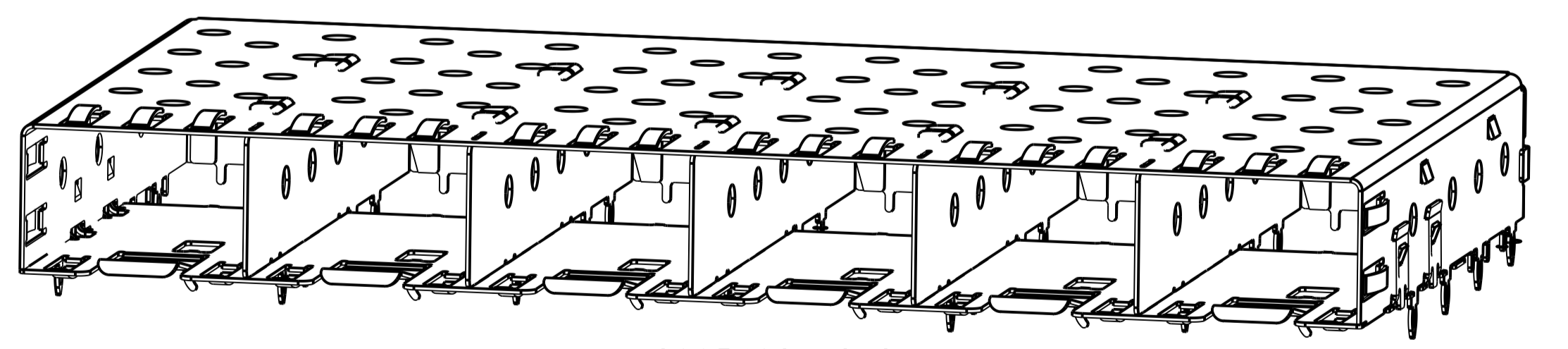
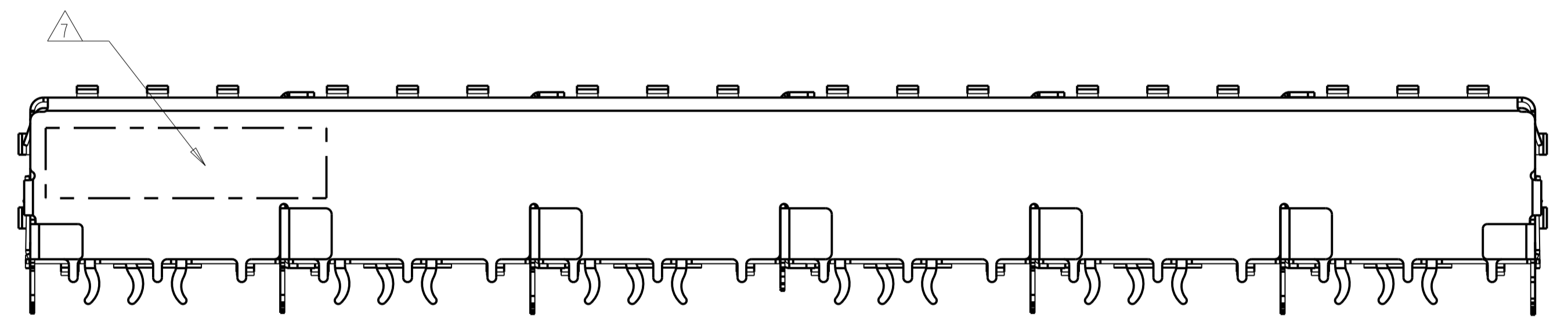
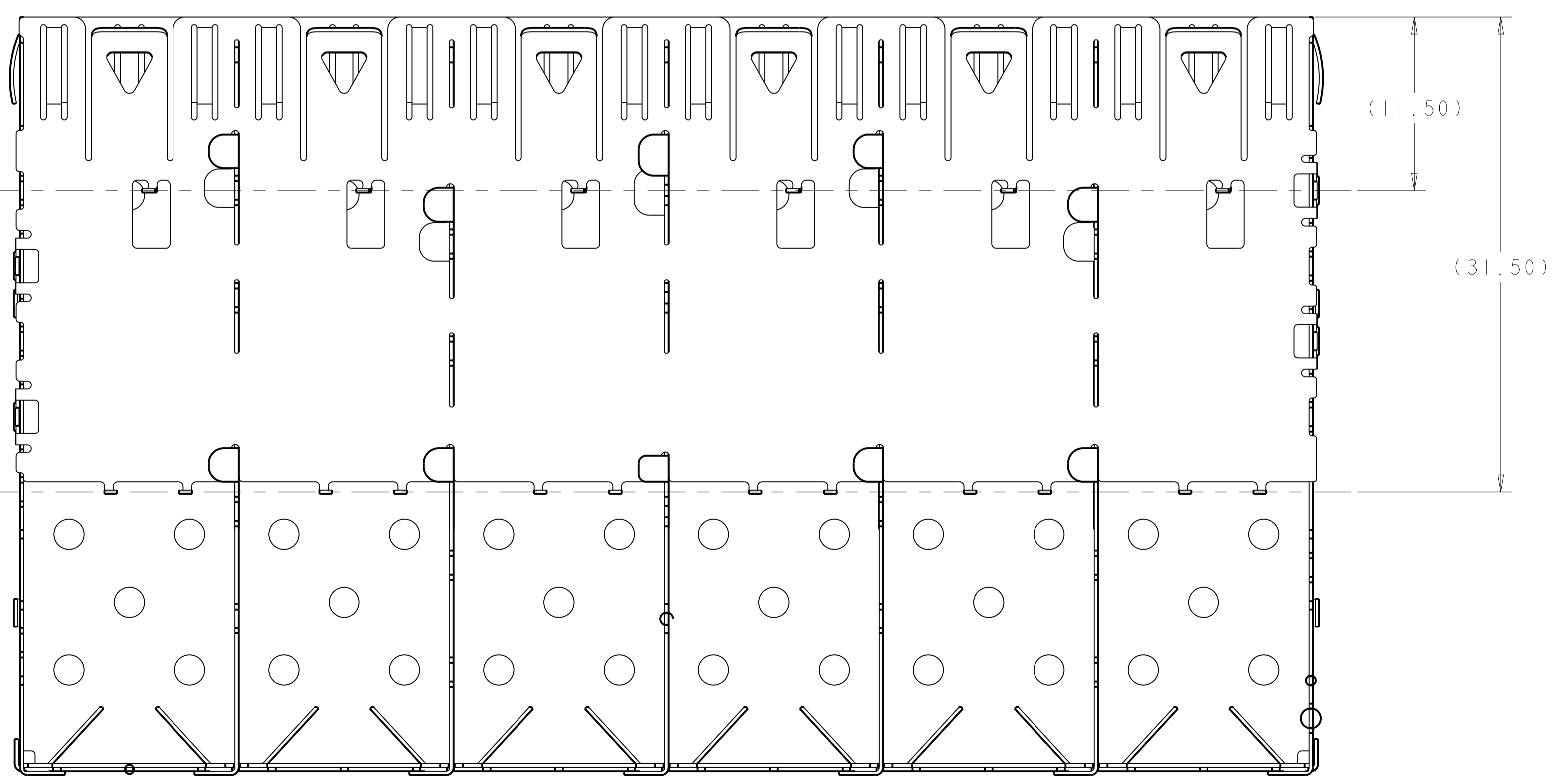
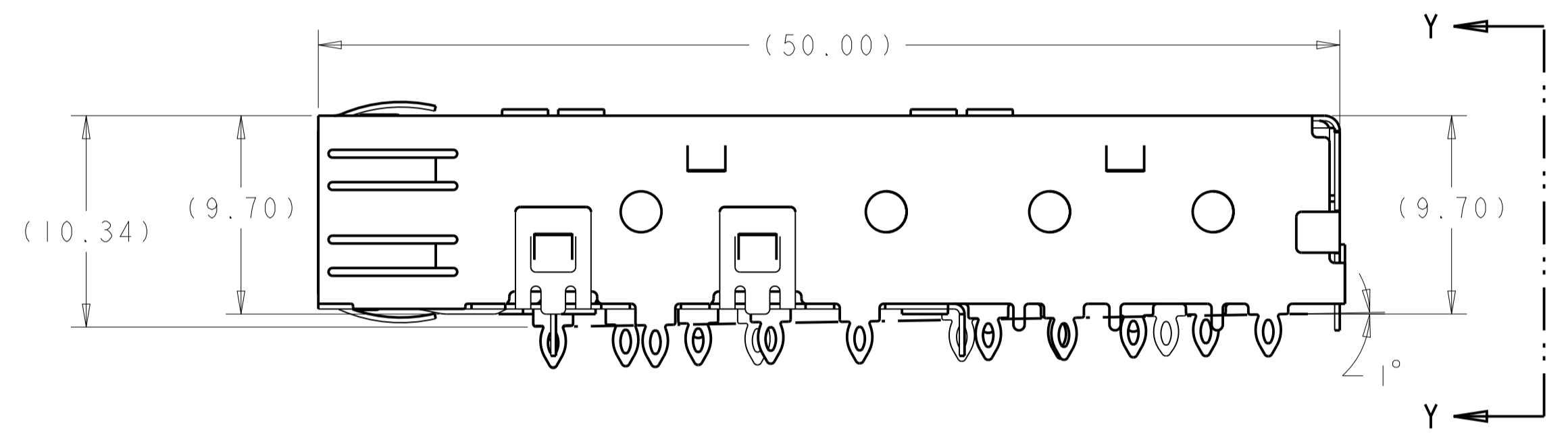
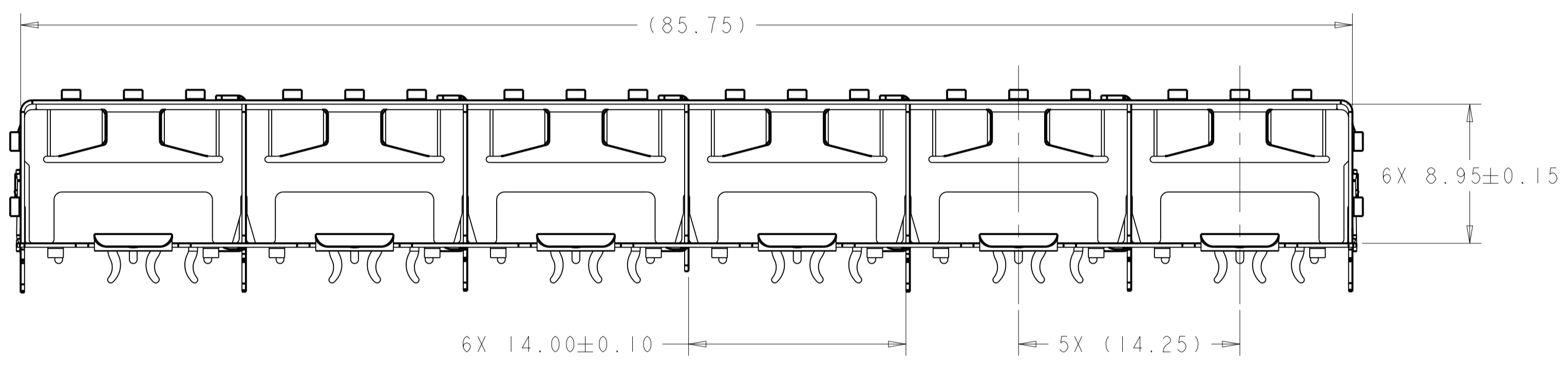


LOC	DIST	REVISIONS			
		REV	DATE	BY	CHKD
GP	00	B	03AUG10	HMR	JP
		C	20FEB2014	JW	SH
		CI	11JUL2014	JW	SH



SCALE 2:1

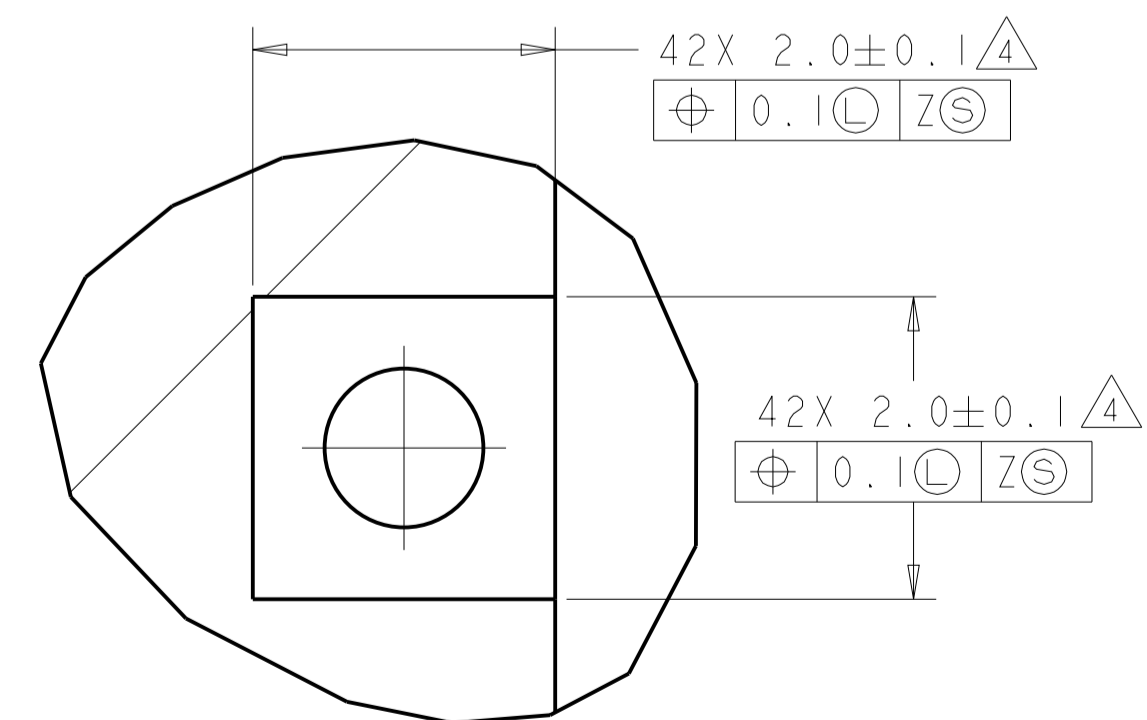
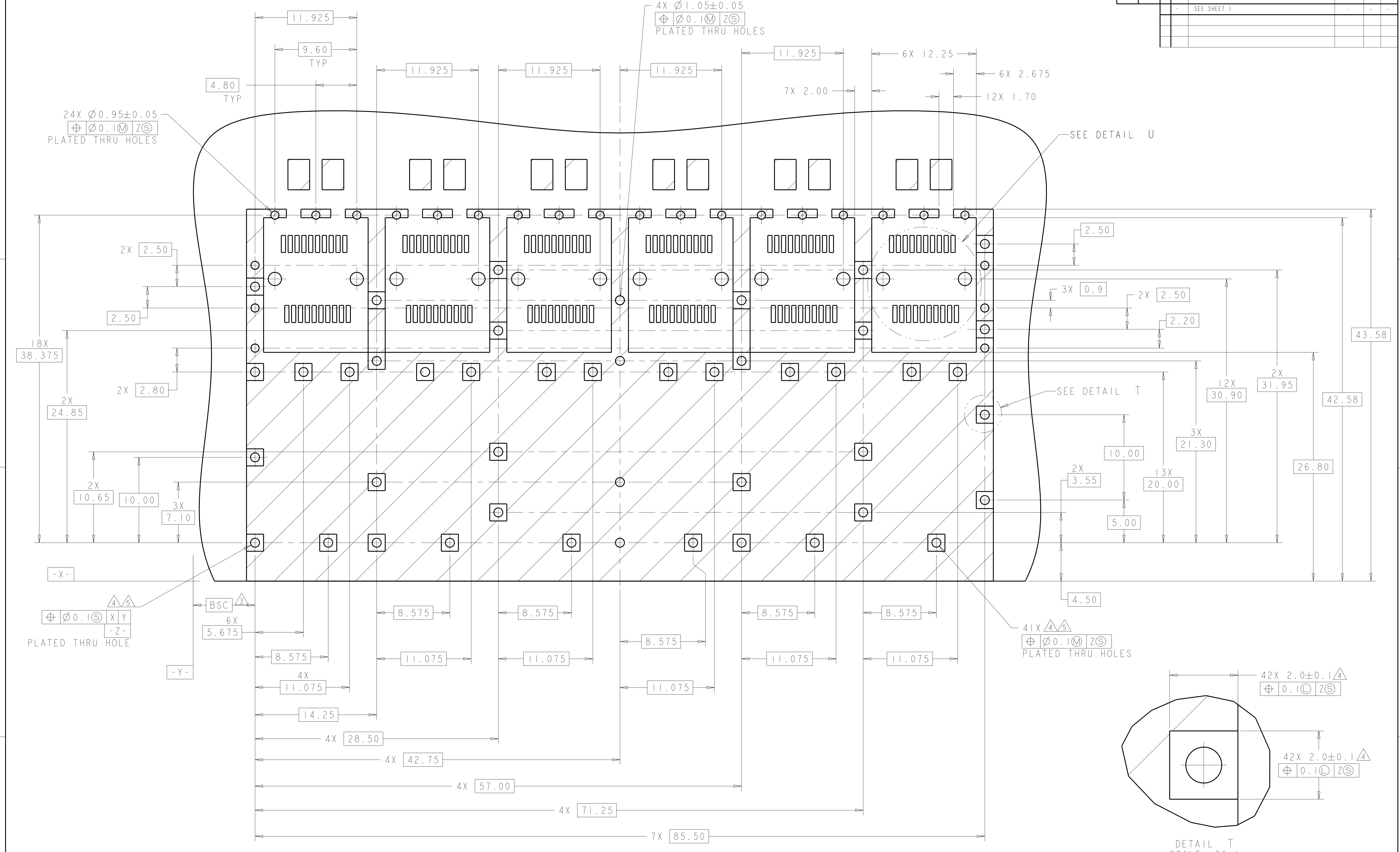
- △ MATERIAL: COPPER ALLOY
- △ TIN PLATING PER ASTM B 545, 1.25µm MINIMUM THICKNESS. ALL OVER NICKEL FLASH PER QQ-N-290. NON PLATED EDGES ARE PERMISSIBLE.
- △ DATUM AND BASIC DIMENSIONS ESTABLISHED BY CUSTOMERS.
- △ PADS AND VIAS CHASSIS GROUND.
- △ REFERENCE APPLICATION SPEC 114-13120, HOLE A, FOR RECOMMENDED DRILL HOLE DIAMETER AND PLATING THICKNESSES
- △ COMPANY LOGO IN APPROXIMATE AREA SHOWN
- △ DATE CODE AND PART NUMBER IN APPROXIMATE LOCATION SHOWN
- △ NICKEL SILVER ALLOY(NO PLATING)



2007498-18-2  
SCALE 3:1

NO	△	DESCRIPTION	PART NUMBER
1	△	1X6 CAGE ASSEMBLY	2007498-2
2	△	1X6 CAGE ASSEMBLY	2007498-1
FINISH		MATERIAL	DESCRIPTION
THIS DRAWING IS A CONTROLLED DOCUMENT.		DWN: B. MCMASTER 03DEC07 CHK: J. KOPPENHEFFER 03DEC07 APVD: J. KOPPENHEFFER 03DEC07	TE Connectivity ASSEMBLY, CAGE, PRESS FIT, 1X6, PCI, SFP
DIMENSIONS: mm		PRODUCT SPEC: - APPLICATION SPEC: - WEIGHT: -	
TOLERANCES UNLESS OTHERWISE SPECIFIED:		SIZE: CAGE CODE DRAWING NO: A100779C=2007498	RESTRICTED TO: -
MATERIAL: -		CUSTOMER DRAWING	SCALE: 4:1 SHEET 1 OF 3 REV: CI

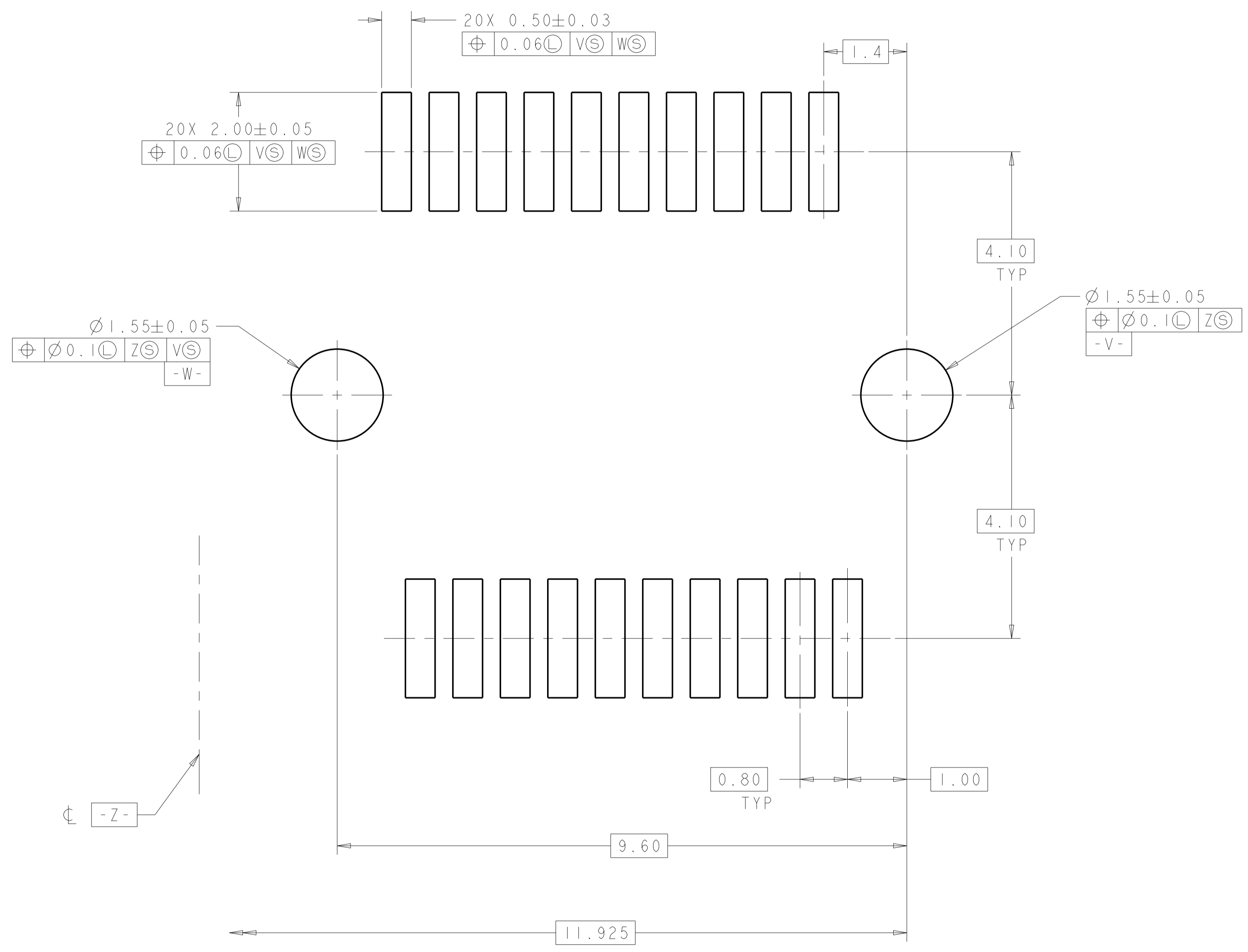
LOC		DIST		REVISIONS			
GP	00	P	LTN	DESCRIPTION	DATE	DMN	APVD
-	-	-	-	SEE SHEET 1	-	-	-



RECOMMENDED PCB CONFIGURATION  
 SCALE 5:1

THIS DRAWING IS A CONTROLLED DOCUMENT.		DMN: B. MCMASTER 03DEC07	TE Connectivity
DIMENSIONS: mm		CHK: J. KOPPENHEFFER 03DEC07	
TOLERANCES UNLESS OTHERWISE SPECIFIED:		APVD: J. KOPPENHEFFER 03DEC07	NAME: ASSEMBLY, CAGE, PRESS FIT, 1X6, PCI, SFP
0 PLC ±	1 PLC ±	PRODUCT SPEC	SIZE: CAGE CODE DRAWING NO
2 PLC ±	3 PLC ±	APPLICATION SPEC	RESTRICTED TO
4 PLC ±	ANGLES ±	WEIGHT	A100779C=2007498
MATERIAL	FINISH	CUSTOMER DRAWING	SCALE 4:1 SHEET 2 OF 3 REV C1

LOC	DIST	REVISIONS			
P	LTN	DESCRIPTION	DATE	DWN	APVD
-	-	SEE SHEET 1	-	-	-



DETAIL U  
SCALE 20:1

THIS DRAWING IS A CONTROLLED DOCUMENT.		DWN: B. MCMASTER 03DEC07	TE Connectivity
DIMENSIONS: mm		CHK: J. KOPPENHEFFER 03DEC07	
		APVD: J. KOPPENHEFFER 03DEC07	NAME: ASSEMBLY, CAGE, PRESS FIT, 1X6, PCI, SFP
TOLERANCES UNLESS OTHERWISE SPECIFIED:		PRODUCT SPEC	SIZE: A100779C=2007498
0 PLC ±	1 PLC ±	APPLICATION SPEC	RESTRICTED TO
2 PLC ±	3 PLC ±	WEIGHT	SCALE: 4:1 SHEET 3 OF 3 REV: C1
4 PLC ±	ANGLES ±	CUSTOMER DRAWING	