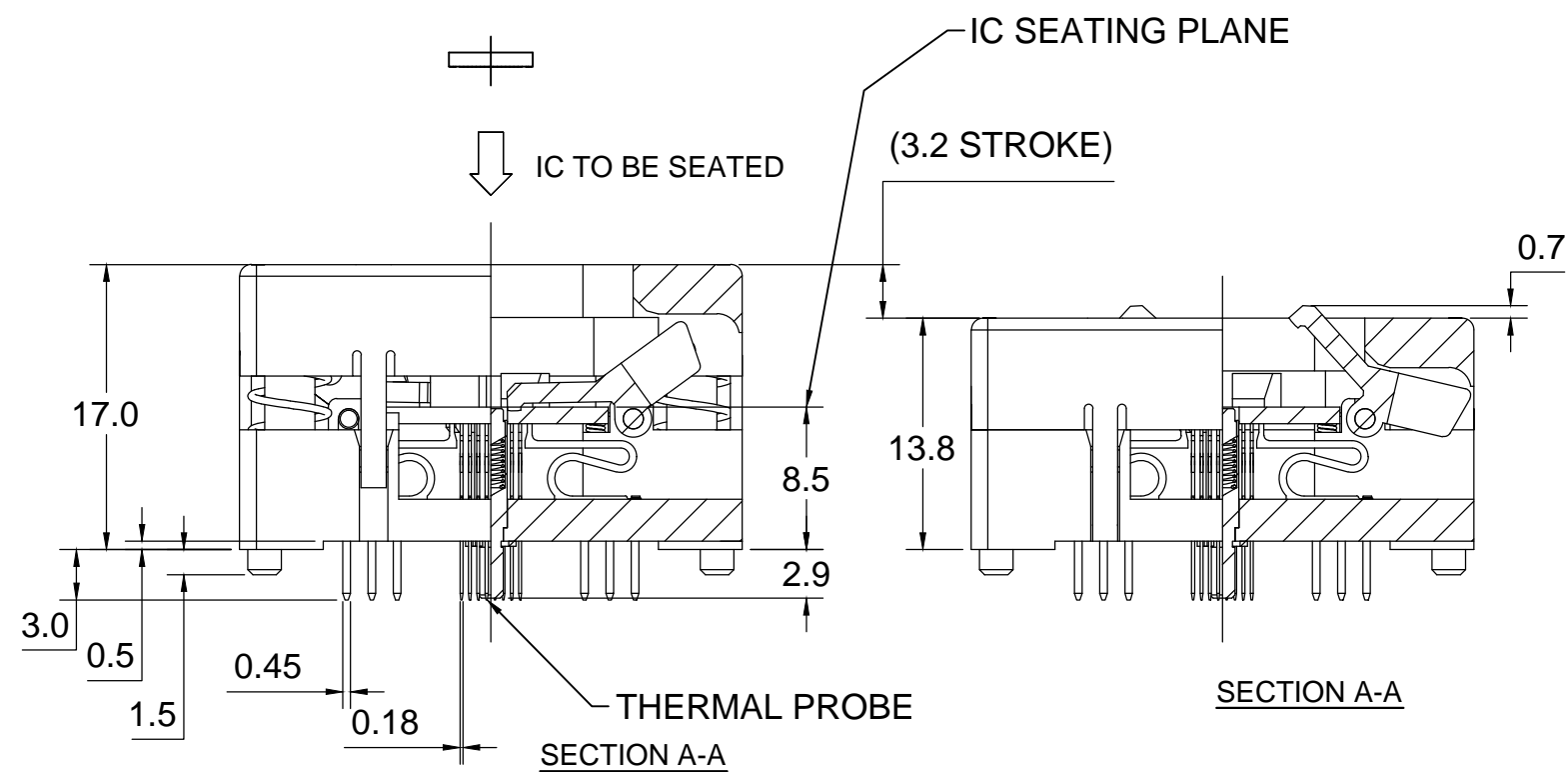
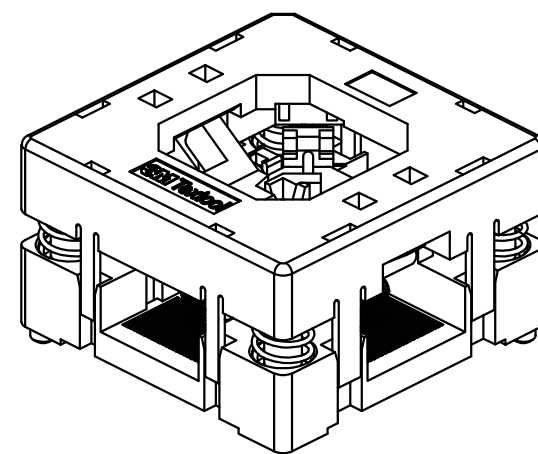
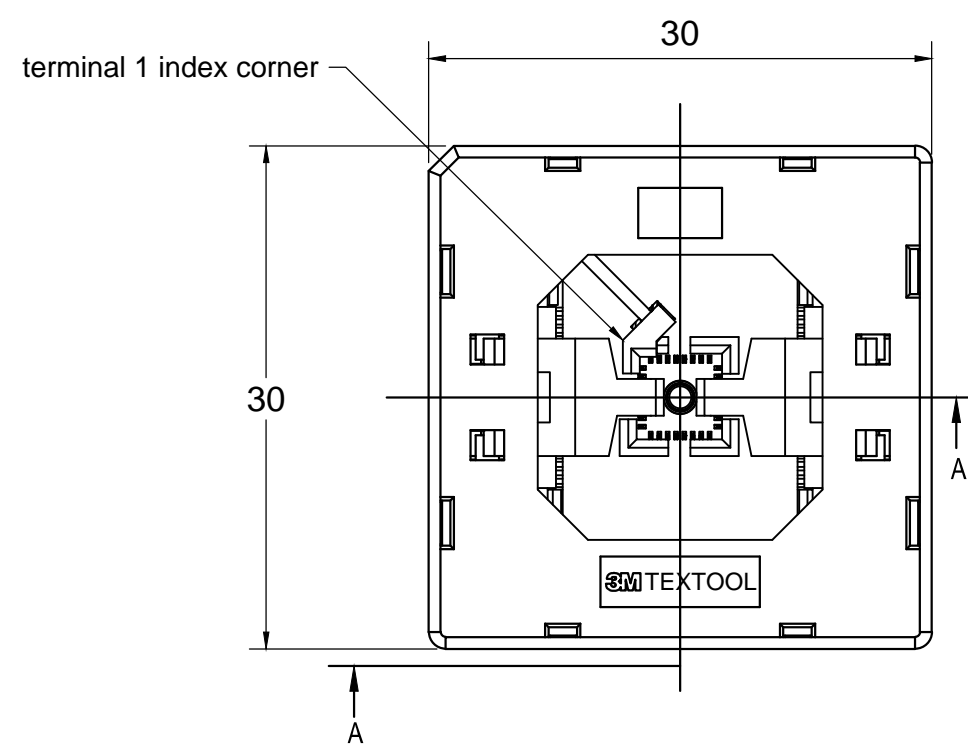


3M™ TEXTTOOL™ OPEN-TOP SOCKETS FOR QFN APPLICATIONS



NOTES:

1. MATERIALS:

SPRINGS	SS	PLATING : Au
CONTACTS	Be Cu	COLOR : BLACK
IC GUIDES	PES	COLOR : BLACK
PRESSURE PAD	PES	COLOR : BLACK
COVER	PPS or equiv.	COLOR : BLACK
BASE	PES	COLOR : BLACK

2. SEE THE REGULATORY INFORMATION APPENDIX (RIA) IN THE "RoHS COMPLIANCE" SECTION WWW.3MCONNECTOR.COM FOR COMPLIANCE INFORMATION (RIA E1 & C1 APPLY).

3. FOR PRODUCT SPECIFICATIONS AND WARRANTY INFORMATION SEE:

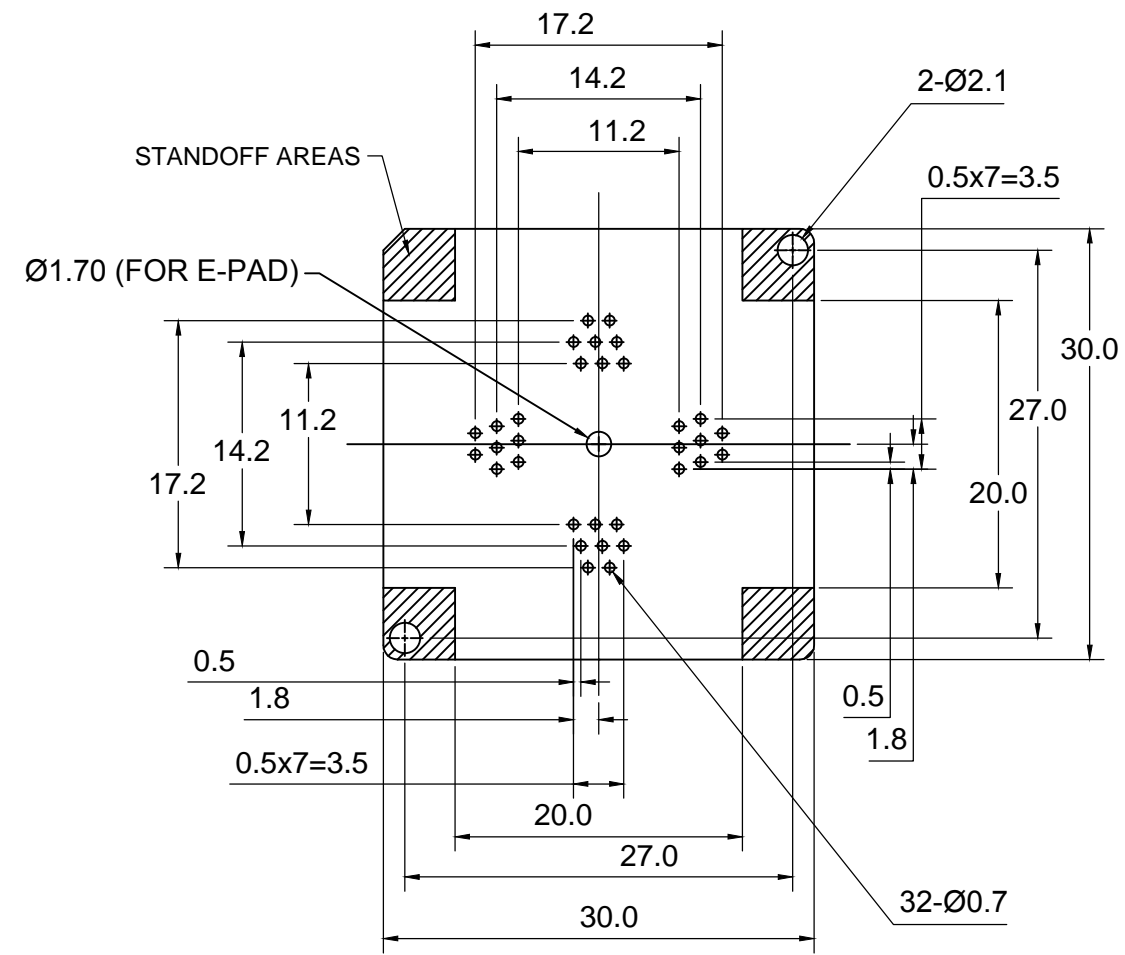
WWW.3MCONNECTOR.COM PN 232-5205-01

DESIGN REFERENCE		NEXT ASSEMBLY		A	37213	INITIAL RELEASE	ARM	
DISTRIBUTION CODES		TOLERANCES EXCEPT AS NOTED		REV	ECO	ISSUE DATE AND DESCRIPTION	DRFT	CHKD
DIVISION		INCHES		DRFT		DATE	MFG	DATE
DO NOT SCALE DRAWING		MILLIMETERS		CHKD		DATE	APPVL	DATE
SCALE 5/1		THIRD ANGLE PROJECTION		3M Center St. Paul, MN 55144 © 3M COPYRIGHT 2012 This document is the copyrighted property of the 3M Company and may not be reproduced without 3M written permission or used for other than 3M authorized purposes.				
INTERPRET PER ASME Y14.5 - 1994		MAX SURFACE ROUGHNESS		QFN TEST SOCKET, 0.5mm, 32 pos, EVEN ROW, 5X5 PKG, WITH TP				
<input type="checkbox"/> ALL SURFACES <input checked="" type="checkbox"/> MARKED ONLY		125 <input checked="" type="checkbox"/>		CAGE NUMBER	SIZE	DRAWING NO.	REV.	
<input type="checkbox"/> ANGLES ± 1°		.0 ± .1 .00 ± .02 .000 ± .005 .0000 ± .0002		C	C	78-5100-2468-6	A	
		MODEL TEXTTOOL - QFN		DET. LISTS <input type="checkbox"/> YES <input checked="" type="checkbox"/> NO		SHT 1 OF 2		

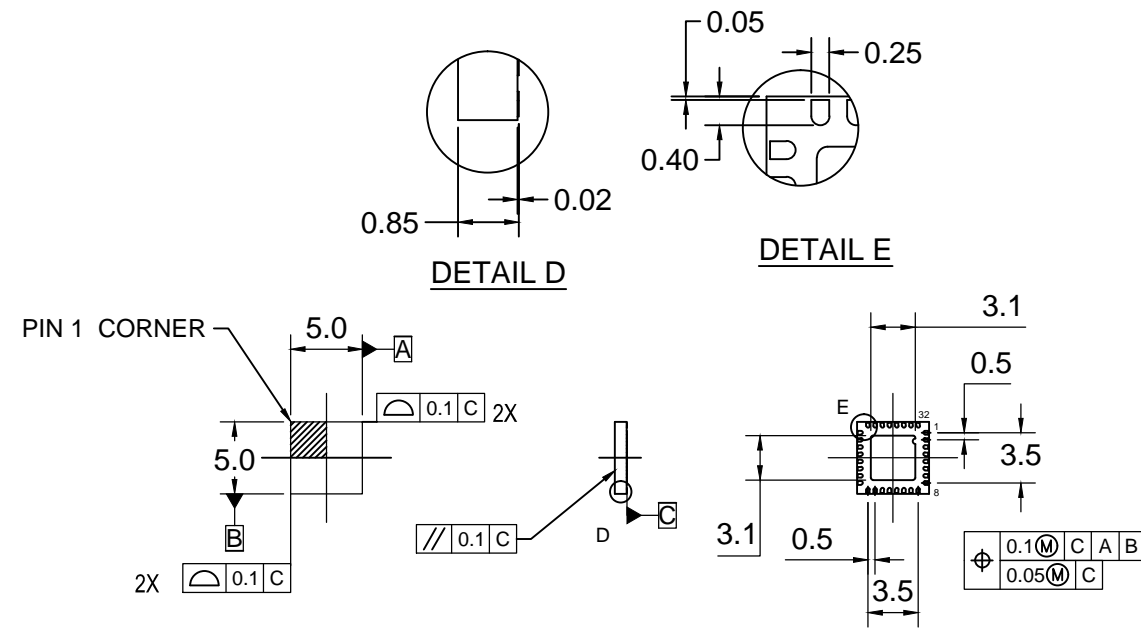
DRAWING NUMBER 78-5100-2468-6

REVISION A

3M™ TEXTTOOL™ OPEN-TOP SOCKETS FOR QFN APPLICATIONS



FOOTPRINT AS VIEWED LOOKING DOWN FROM TOP OF SOCKET



RECOMMENDED IC (REF.)

DESIGN REFERENCE	NEXT ASSEMBLY	REV	ECO	ISSUE DATE AND DESCRIPTION	DRFT	CHKD
DISTRIBUTION CODES		DRFT		DATE	MFG	DATE
		CHKD		DATE	APPVL	DATE
DIVISION	DIVISION CODE	3M		3M Center St. Paul, MN 55144	© 3M COPYRIGHT 2012 This document is the copyrighted property of the 3M Company and may not be reproduced without 3M written permission or used for other than 3M authorized purposes.	
DO NOT SCALE DRAWING	SCALE 5 1	TOLERANCES EXCEPT AS NOTED		TITLE QFN TEST SOCKET, 0.5mm, 32 pos, EVEN ROW, 5X5 PKG, WITH TP		
THIRD ANGLE PROJECTION	INTERPRET PER ASME Y14.5 - 1994	INCHES .0 ± .1 .00 ± .02 .000 ± .005 .0000 ± .0002		CAGE NUMBER C		
MAX SURFACE ROUGHNESS 125 <input checked="" type="checkbox"/> ALL SURFACES <input checked="" type="checkbox"/> MARKED ONLY		MILLIMETERS 0 ± .1 .0 ± .005 .00 ± .0002		DRAWING NO. 78-5100-2468-6		REV. A
		ANGLES ± 1°		MODEL TEXTTOOL - QFN		DET. LISTS <input type="checkbox"/> YES <input checked="" type="checkbox"/> NO
				SHT 2 OF 2		

Mouser Electronics

Authorized Distributor

Click to View Pricing, Inventory, Delivery & Lifecycle Information:

3M:

[232-5205-01](#)