



**MICRO SWITCH**  
 FREEPORT ILLINOIS U S A  
 A DIVISION OF HONEYWELL  
 FED MFG. CODE 91889

**SWITCH—TOGGLE  
 FLUSH KEY**

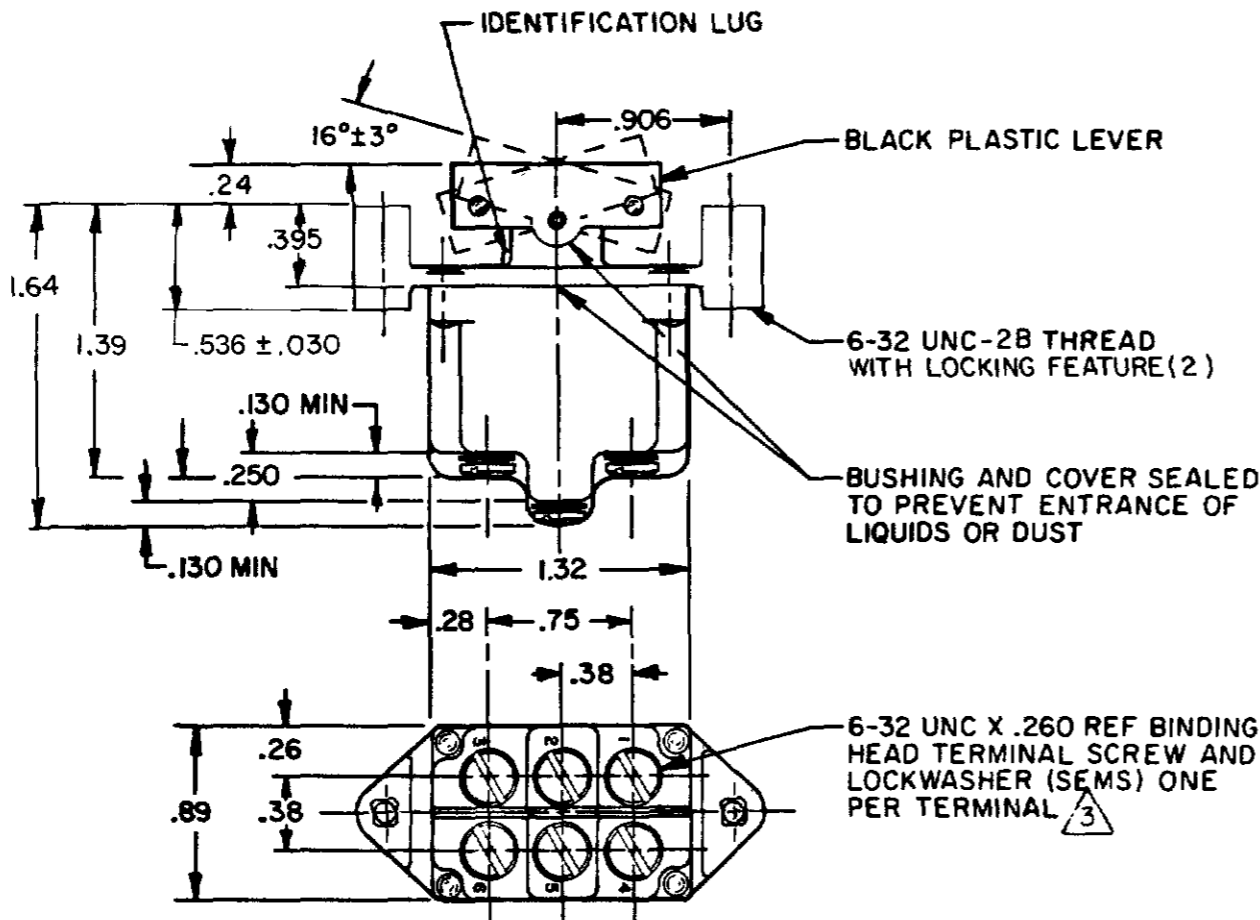
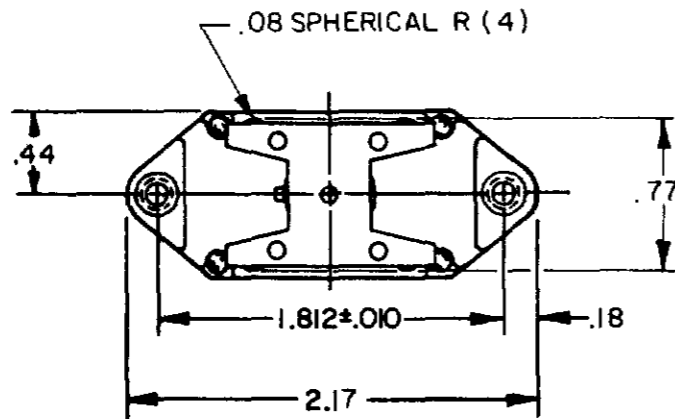
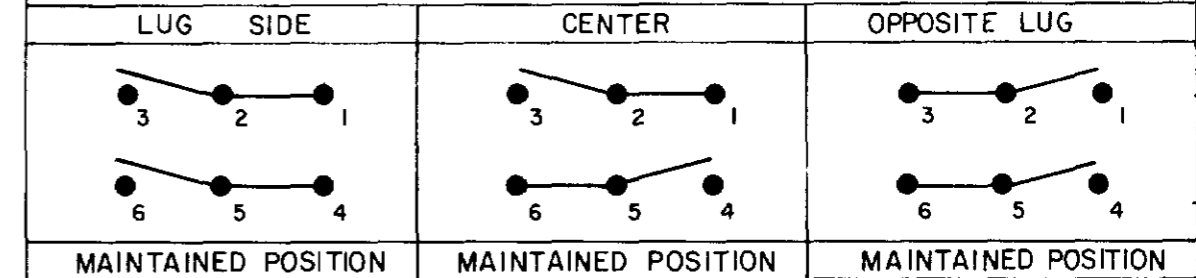
CATALOG LISTING  
**2TP8-10**

THIS DRAWING COVERS A PROPRIETARY ITEM AND IS THE PROPERTY OF MICRO SWITCH A DIVISION OF HONEYWELL THIS DRAWING IS NOT TO BE COPIED OR USED WITHOUT THE APPROVAL OF MICRO SWITCH

**ELECTRICAL DATA**

15A-125, 250 OR 277 VAC   
 1/2HP-125VAC, 1HP-250, 277 VAC  
 5A-125VAC "L" CODE L191 

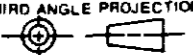
**CIRCUIT DIAGRAM**



**NOTES**

- 1 - THESE SWITCHES WILL WITHSTAND TEMPERATURE OF 160°F
- 2 - MICRO SWITCH CATALOG LISTING MARKED ON SIDE OF SWITCH
- 3 - SCREWS FURNISHED UNASSEMBLED

DRAWING NUMBER: 2TP8-10  
 PAGE 1 OF 1  
 RELEASE NO. PR-9476  
 REPLACES:  
 ISSUE: 14  
 CHECK:  
 REVISIONS:  
 A: OBS CO 47730  
 B: SMA JUNE 80  
 C: RE INST PR 9476  
 D: K AG 15 OCT 80  
 E: CO 49167  
 F: J A P 16 JUL 81  
 G: WJM 11 AUG 81  
 H: CO 57496  
 I: W J K 25 SEP 85  
 J: CO 58717-B  
 K: W J K 22 OCT 86  
 L: CO 60389  
 M: W J K 10 NOV 88  
 N: CO 77897  
 O: J A P 15 JUN 94  
 P: 200032  
 Q: J J A 2 JAN 00  
 R: 202714  
 S: C S I 3 APR 01  
 RASTER: FO-32854-B  
 DRAWN: KAG 15 OCT 80  
 CHECK: GWA 15 OCT 80

THIRD ANGLE PROJECTION 

SCALE FULL

DO NOT SCALE PRINT

**TOLERANCES**  
 APPLY TO DESIGN UNITS. CONVERSIONS ARE ONLY FOR REFERENCE UNLESS NOTED TOLERANCES ARE ±

NO PLACES	ONE PLACE	TWO PLACES	THREE PLACES	ANGLES
X	X,X	X,X,X	X,X,X,X	X
1/100	0.1/0.01	0.01/0.001	0.001/0.0001	0.01/0.001
0.0125	0.00125	0.000125	0.0000125	0.00125

DESIGN UNITS:  METRIC  US CUSTOMARY

RAW MATERIAL—COMMERCIAL STANDARD  
 MICRO SWITCH STANDARDS APPLY  
 DIMENSIONS ARE TO BE MET BEFORE PROTECTIVE COATINGS ARE APPLIED

WEIGHT 14 LB EST