

Limit value switches - MCR-SWS-I - 2766478

Please be informed that the data shown in this PDF Document is generated from our Online Catalog. Please find the complete data in the user's documentation. Our General Terms of Use for Downloads are valid (<http://phoenixcontact.com/download>)



MCR threshold value switches, with adjustable hysteresis and relay/transistor output, input signal 0(4)..20 mA


The illustration shows version MCR-SWS-U

Why buy this product

- Adjustable hysteresis
- Monitoring of three signal states
- Limit value indication
- Relay/transistor output
- 0 ... 10 V or 0 ... 20 mA input



Key commercial data

Packing unit	1 pc
GTIN	 4 017918 066727
Weight per Piece (excluding packing)	154.0 g
Custom tariff number	85389091
Country of origin	Germany

Technical data

Note

Utilization restriction	EMC: class A product, see manufacturer's declaration in the download area
-------------------------	---

Dimensions

Width	17.5 mm
Height	99 mm
Depth	114.5 mm

Ambient conditions

Limit value switches - MCR-SWS-I - 2766478

Technical data

Ambient conditions

Ambient temperature (operation)	-20 °C ... 65 °C
---------------------------------	------------------

Input data

Description of the input	Current input
Current input signal	0 mA ... 20 mA
	4 mA ... 20 mA
Max. input current	22 mA
Input resistance current input	≤ 120 Ω
Min setting range of the current threshold value	0 A ... 20 mA
Setting range of the hysteresis	0.2 mA ... 20 mA (setting accuracy: ± 60 µA)
Internal hysteresis	± 60 µA (around the lower/upper switching point)
Setting option	Setting potentiometer, scaled 270° potentiometer

Switching output

Output name	Transistor output, pnp
Number of outputs	3
Output voltage range	20 V DC ... 30 V DC
Continuous load current	100 mA
Output name	Relay output
Contact type	1 PDT
Contact material	AgNi 0,15 + HTV (hard gold-plated)
Maximum switching voltage	250 V AC (30 V DC)
Mechanical service life	10 ⁷ cycles
Status display	LED

Power supply

Supply voltage range	20 V DC ... 30 V DC
Max. current consumption	typ. 60 mA

Connection data

Connection method	Pluggable screw connection
Conductor cross section solid min.	0.2 mm ²
Conductor cross section solid max.	2.5 mm ²
Conductor cross section AWG/kcmil min.	24
Conductor cross section AWG/kcmil max.	14
Conductor cross section stranded min.	0.2 mm ²
Conductor cross section stranded max.	2.5 mm ²
Stripping length	8 mm
Screw thread	M3

General

No. of channels	1
Maximum temperature coefficient	≤ 0.02 %/K

Limit value switches - MCR-SWS-I - 2766478

Technical data

General

Step response (10-90%)	< 25 ms
Color	green
Housing material	Polyamide PA non-reinforced
Mounting position	any
Conformance	CE-compliant
UL, USA / Canada	UL 508 Recognized

Classifications

eCl@ss

eCl@ss 4.0	27200303
eCl@ss 4.1	27200303
eCl@ss 5.0	27200303
eCl@ss 5.1	27200303
eCl@ss 6.0	27200303
eCl@ss 7.0	27210122
eCl@ss 8.0	27210122

ETIM

ETIM 2.0	EC001440
ETIM 3.0	EC001440
ETIM 4.0	EC001440
ETIM 5.0	EC001440

UNSPSC

UNSPSC 6.01	30211506
UNSPSC 7.0901	39121008
UNSPSC 11	39121008
UNSPSC 12.01	39121008
UNSPSC 13.2	39121008

Approvals

Approvals

Approvals

UL Recognized / cUL Recognized / GOST / cULus Recognized

Ex Approvals

Limit value switches - MCR-SWS-I - 2766478

Approvals

Approvals submitted

Approval details

UL Recognized

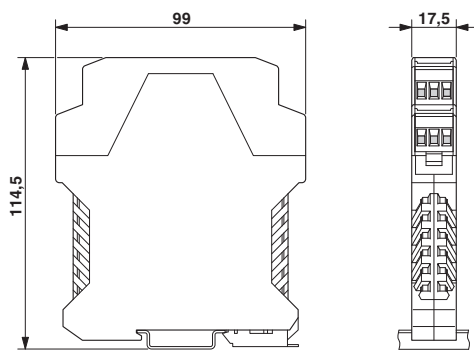
cUL Recognized

GOST

cULus Recognized

Drawings

Dimensioned drawing



Circuit diagram

