

MCR-C-U-I- 0-DC

Order No.: 2814472

The illustration shows version MCR-C-II-00-DC



<http://eshop.phoenixcontact.de/phoenix/treeViewClick.do?UID=2814472>

MCR 3-way isolating amplifier, for electrical isolation of analog signals, input signal: 0 V ... 10 V, output signal: 0 mA ... 20 mA

Commercial data	
GTIN (EAN)	4017918156176
sales group	H501
Pack	5 pcs.
Customs tariff	85437090
Weight/Piece	0.0871 KG
Catalog page information	Page 364 (IF-2009)

Product notes

WEEE/RoHS-compliant since: 07/25/2007



<http://www.download.phoenixcontact.com>
Please note that the data given here has been taken from the online catalog. For comprehensive information and data, please refer to the user documentation. The General Terms and Conditions of Use apply to Internet downloads.

Technical data

Input data	
Description of the input	Voltage input
Configurable/programmable	No
Voltage input signal	0 V ... 10 V
Max. input voltage	30 V
Input resistance of voltage input	200 kΩ

Output data

Output name	Current output
Configurable/programmable	No
Current output signal	0 mA ... 20 mA
Max. output current	30 mA
Load/output load current output	$\leq 500 \Omega$
Linear transmission range (in reference to the output range end value)	-5 % ... 105 %

Power supply

Range of supply voltages	20 V DC ... 30 V DC
Typical current consumption	< 15 mA (without load)

Connection data

Type of connection	Pluggable screw connection
Conductor cross section solid min.	0.2 mm ²
Conductor cross section solid max.	2.5 mm ²
Conductor cross section stranded min.	0.2 mm ²
Conductor cross section stranded max.	2.5 mm ²
Conductor cross section AWG/kcmil min.	24
Conductor cross section AWG/kcmil max	14
Stripping length	8 mm
Screw thread	M3

General data

No. of channels	1
Width	12.5 mm
Height	99 mm
Depth	114.5 mm
Transmission error, max.	$\leq 0.2 \%$ (of end value)
Transmission error, typical	< 0.1 %
Max. scale factor error	< 0.2 %
Maximum temperature coefficient	< 0.015 %/K
Limit frequency (3 dB)	30 Hz
Step response (10-90%)	11 ms
Protective circuitry	Transient protection
Ambient temperature (operation)	-25 °C ... 60 °C

Color	green
Housing material	Polyamide PA non-reinforced
Mounting position	Any
Conformity	CE compliant

Certificates / Approvals



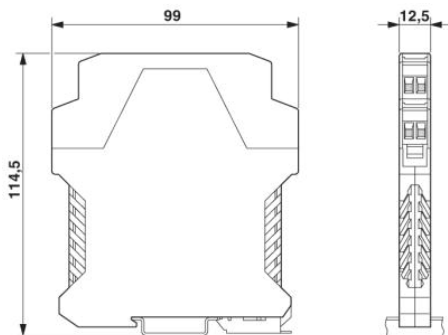
Certification CUL, GOST, UL

Accessories

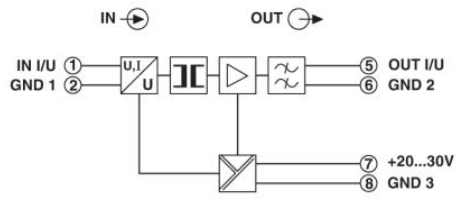
Item	Designation	Description
Bridges		
2820916	DB 50- 90 BK	Wire bridge, Color: black
2821180	DB 50- 90 BU	Wire bridge, Color: blue
2820929	DB 50- 90 GY	Wire bridge, Color: gray

Diagrams/Drawings

Dimensioned drawing



Circuit diagram



Address

PHOENIX CONTACT Inc., USA
586 Fulling Mill Road
Middletown, PA 17057, USA
Phone (800) 888-7388
Fax (717) 944-1625
<http://www.phoenixcon.com>



© 2010 Phoenix Contact
Technical modifications reserved;