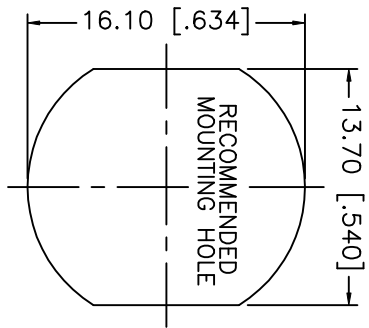
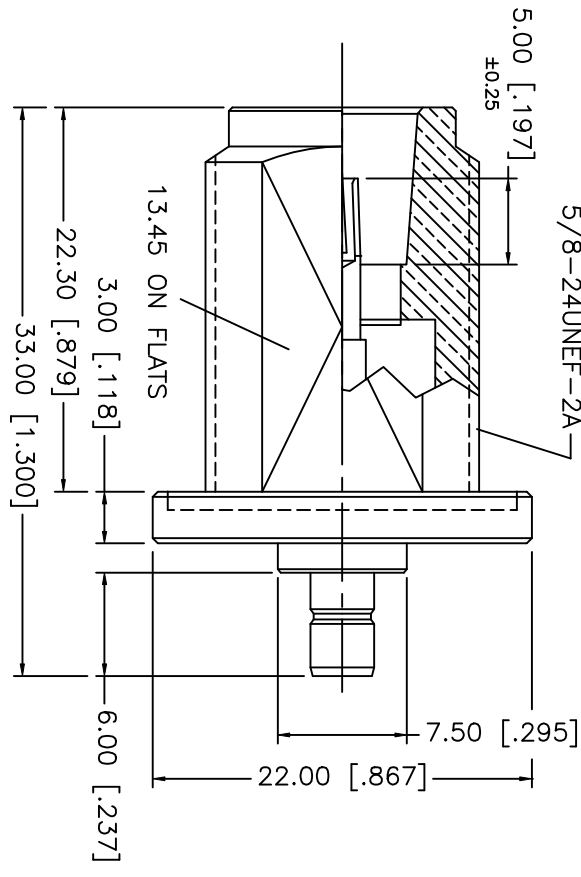
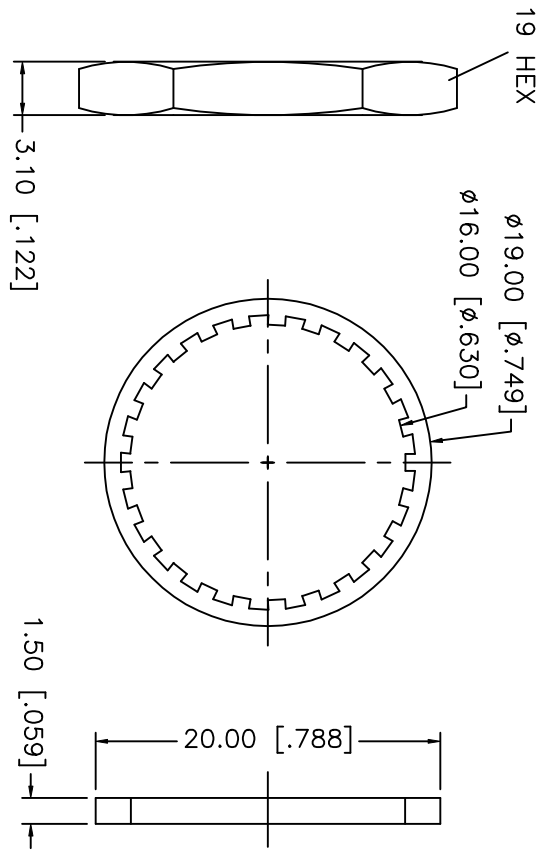


REV.	DATE	DESCRIPTION
NC	03/31/02	INITIAL RELEASE



NOTE:  
1. MAX. PANEL THICKNESS = 6.8mm

8	HEX NUT	BRASS	NICKEL	UNLESS OTHERWISE SPECIFIED DIMENSIONS ARE IN MILLIMETERS		APPROVALS	DATE	TITLE							
7	LOCK WASHER	BRASS	NICKEL	DIMENSIONS IN [ ] ARE IN INCHES FOR CUSTOMER REFERENCE ONLY		DRAWN G.R.S.	03/31/02	N BULKHEAD JACK TO SMB JACK ADAPTOR							
6	GASKET	SILICONE	RED	UNLESS OTHERWISE SPECIFIED TOLERANCES FOR INCHES ARE: .XXX = ± 0.005" .XX = ± 0.010" .X = ± 0.020"											
4	BODY	BRASS	NICKEL	ISSUED											
3	CONTACT PIN	BER. COPPER	GOLD												
2	INSULATOR	TEFLON	NATURAL												
1	HOUSING	BRASS	NICKEL												
DESCRIPTION				MATERIAL		FINISH		DO NOT SCALE DRAWING		SCALE	NA	PART NO.	242183	SHEET	1 OF 1

**Amphenol - Connex**  
CONNECTOR CORPORATION

# Mouser Electronics

Authorized Distributor

Click to View Pricing, Inventory, Delivery & Lifecycle Information:

[Amphenol:](#)

[242183](#)