

2CPS

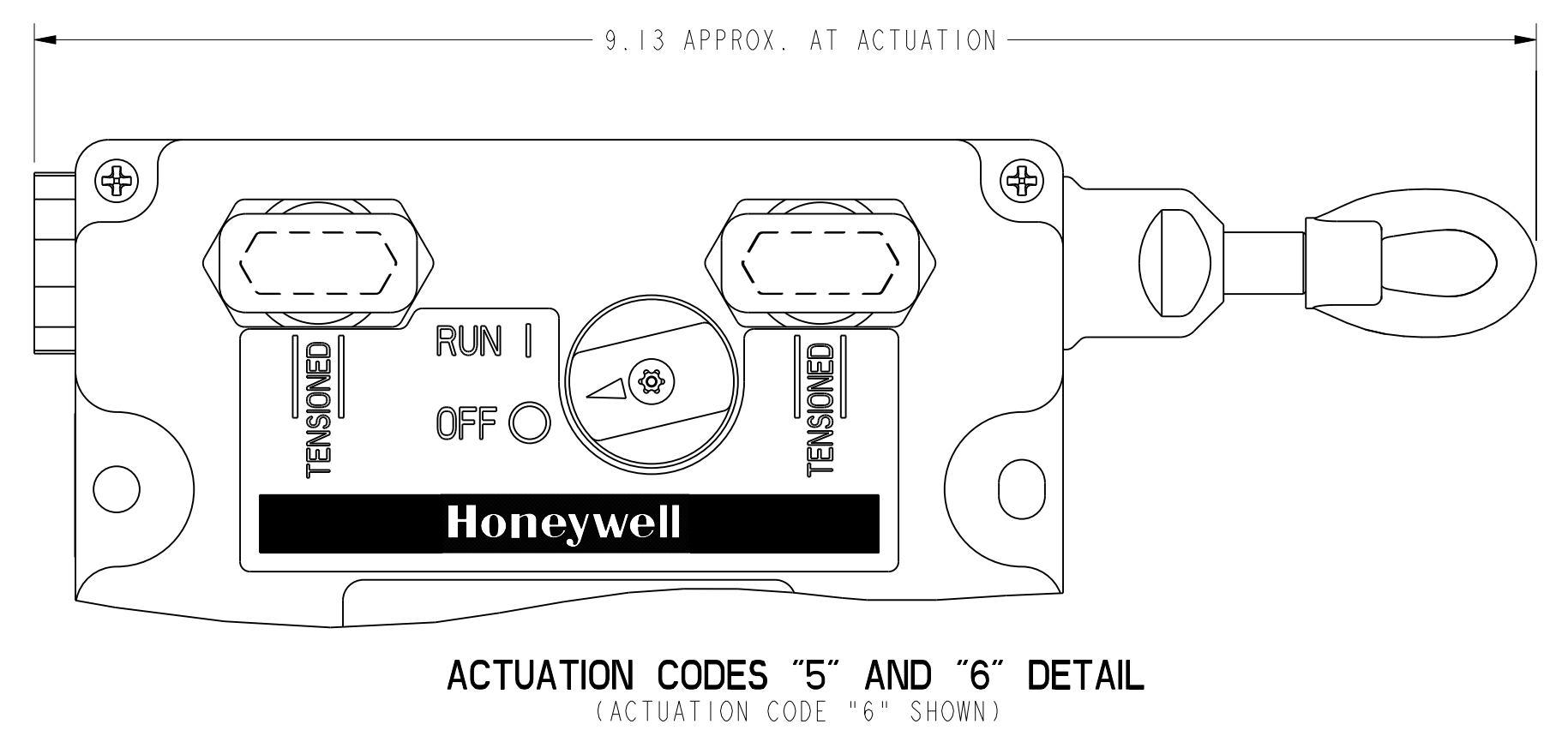
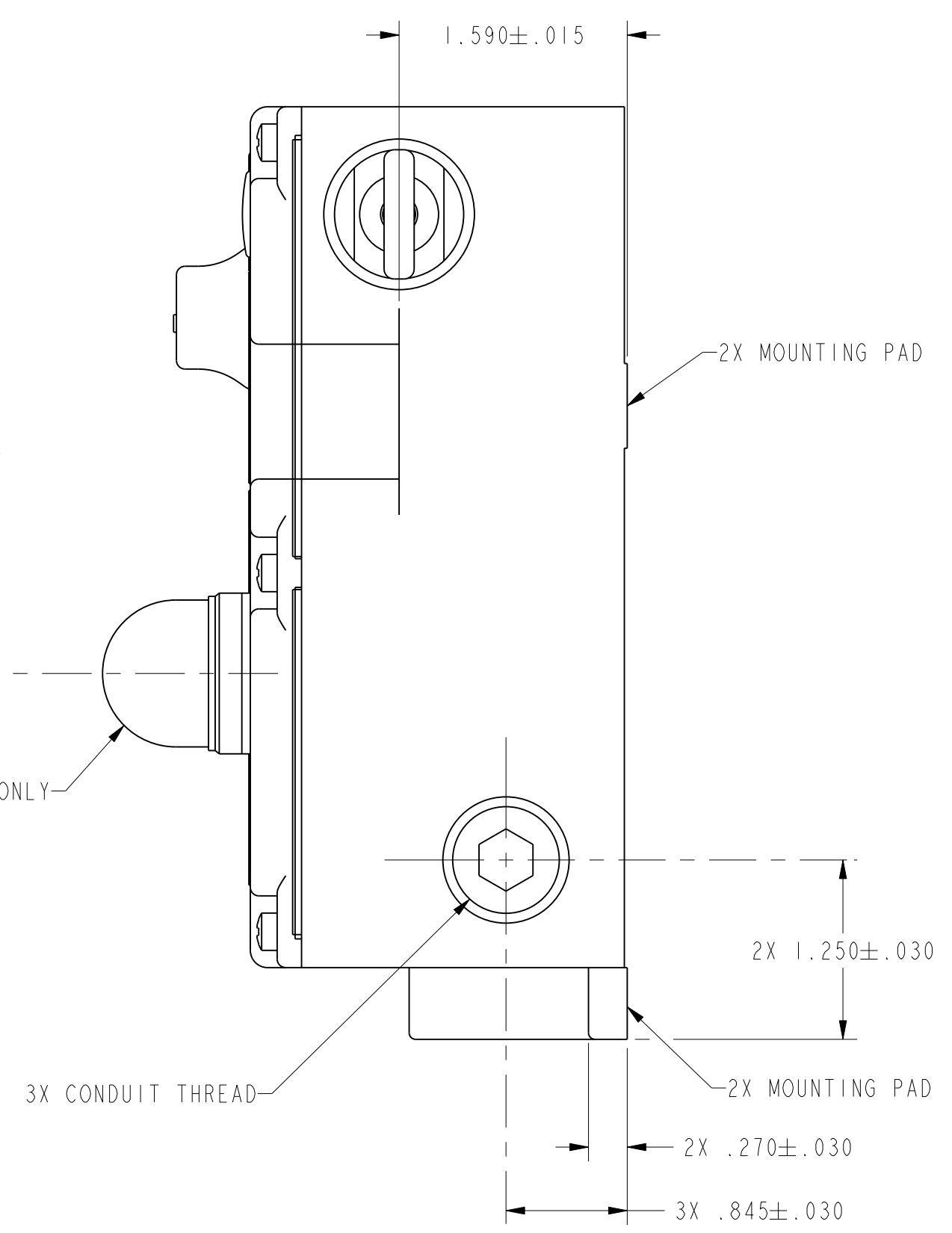
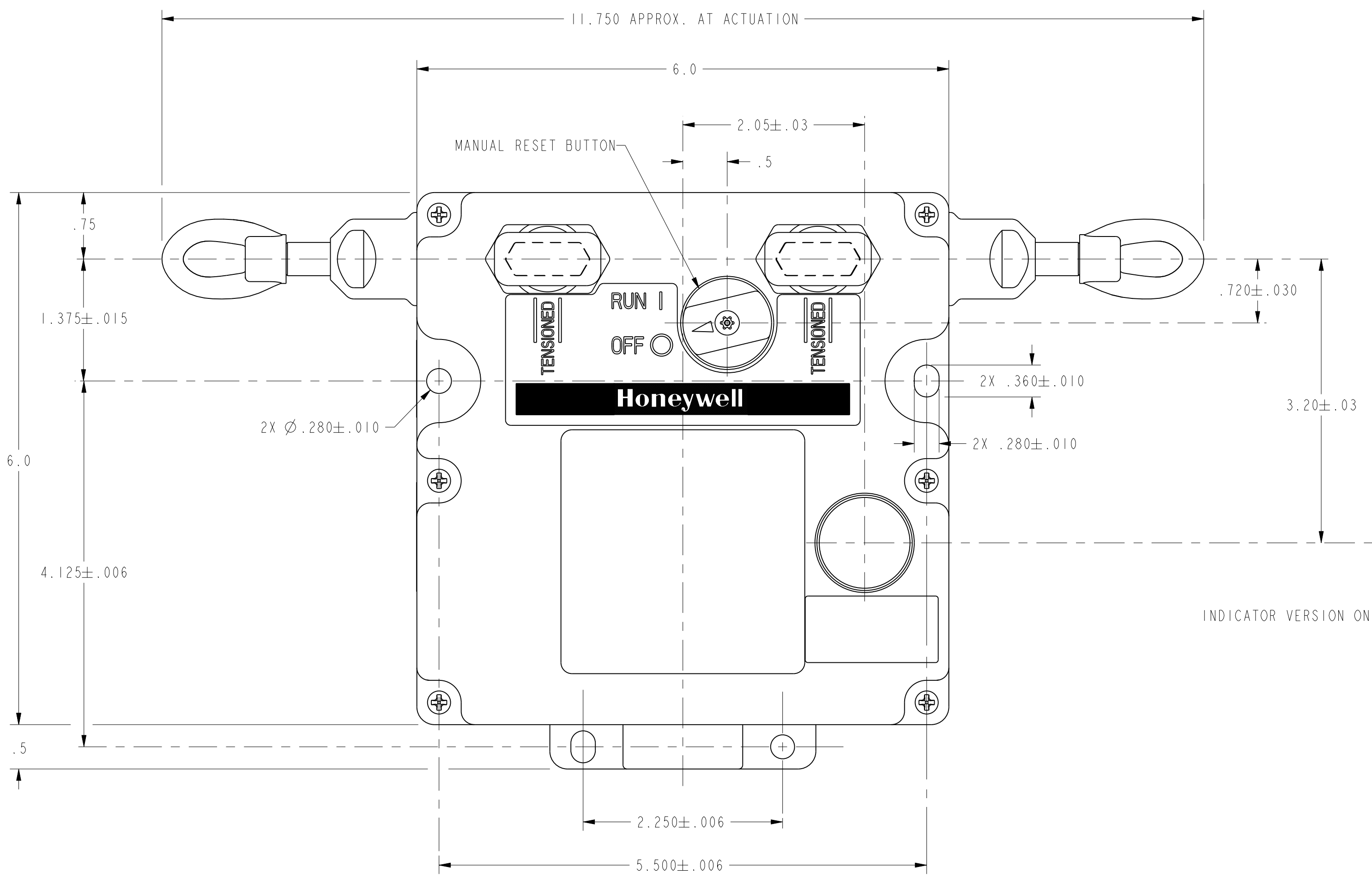
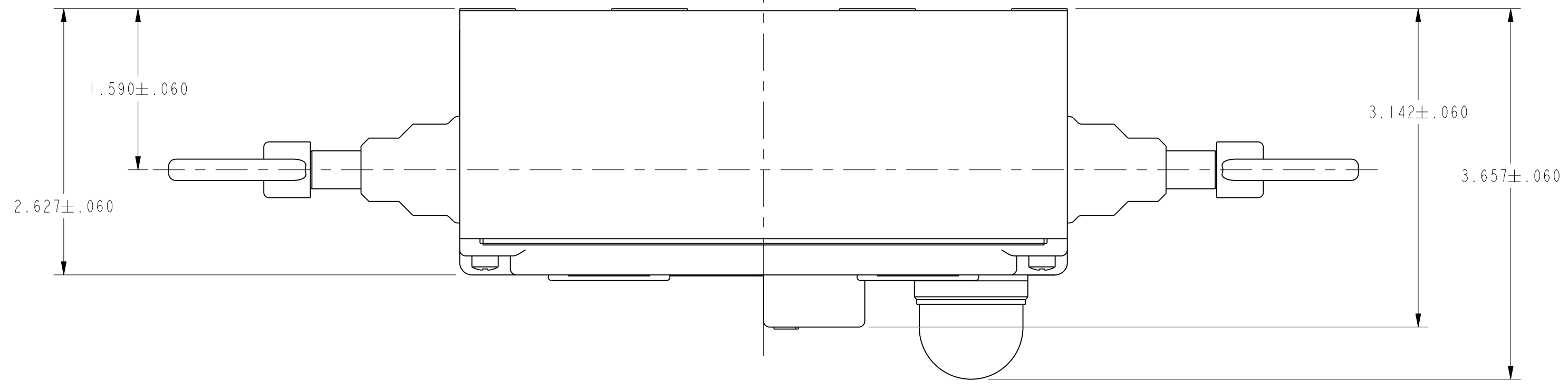
BODY CODE	
A	1/2" NPT
B	PG13,5
C	20mm
D	PF 1/2

CONTACT BLOCK MOUNTING CODE	
1	STANDARD, CONTACT BLOCKS MOUNTED TO HOUSING
2	REMOVABLE CONTACT BLOCKS W/RECEPTACLES

BASIC SWITCH CODE	
A	2NO - 2NC DIRECT ACTING (SWITCH 1: 1NO - 1NC) (SWITCH 2: 1NO - 1NC)
B	1NO - 3NC DIRECT ACTING (SWITCH 1: 1NO - 1NC) (SWITCH 2: 2NC)

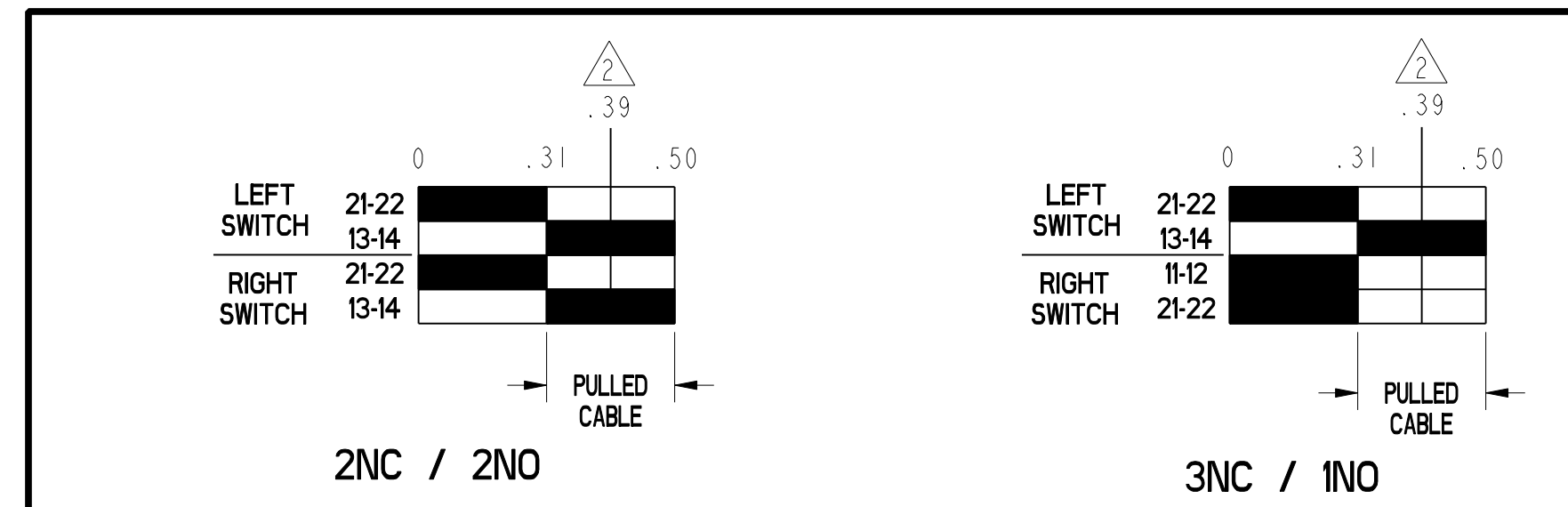
ACTUATION CODE	
4	MAINTAINED BOTH SIDES w/o BROKEN CABLE DETECTION
5	MAINTAINED LEFT SIDE, NO ACTUATION RIGHT SIDE w/o BROKEN CABLE DETECTION
6	MAINTAINED RIGHT SIDE, NO ACTUATION LEFT SIDE w/o BROKEN CABLE DETECTION

INDICATOR-PILOT LIGHT CODE	
A	24V LED CLUSTER
B	120V LED CLUSTER



- NOTES**
- 1 - NOMENCLATURE IS PROVIDED FOR IDENTIFICATION OF EXISTING LISTINGS. NOT ALL COMBINATIONS ARE POSSIBLE
 - 2 - POSITIVE OPENING TO IEC/EN60947-5-1
 - 3 - ACTUATION SHAFT OPERATE FORCE: 40 LBS
 - 4 - HARDWARE PACKET CONSISTING OF TWO CONDUIT THREAD PLUGS AND ONE "J" HOOK TURNBUCKLE FOR EACH ACTUATOR INCLUDED WITH PRODUCT

ELECTRICAL RATING				ENVIRONMENTAL		APPROVALS	
AC		DC		IP 67	NEMA 1, 4, 12 & 13		
A300 Ue	AC15 Ie	O300 Ue	DC13 Ie	TEMP RANGE:	-40°C TO 85°C -40°F TO 185°F		
(VOLTS)	(AMPS)	(VOLTS)	(AMPS)	STORAGE:	-40°C TO 85°C -40°F TO 185°F	IEC/EN60947-5-1	
120	6	24	2.8	SHOCK:	15G PER IEC 68-2-27		
240	3	125	.55	VIBRATION:	5G PER IEC 68-2-6		
Ith = 10A							



UNLESS OTHERWISE SPECIFIED TOLERANCES ARE:		DRAWN		TSM		10AUG01	
NO PLACE	X	±.040	±.1	CHECK	SAV	10AUG01	
ONE PLACE	.X	±.030	±0.4	THIS DRAWING COVERS A PROPRIETARY ITEM AND IS THE PROPERTY OF HONEYWELL. THIS DRAWING IS NOT TO BE COPIED OR USED WITHOUT THE PERMISSION OF HONEYWELL.			
TWO PLACE	.XX	±.015	±0.15				
THREE PLACE	.XXX	±.005	±				
ANGLES		±	±				
RAW MATERIAL-COMMERCIAL STANDARD		THIRD ANGLE PROJECTION		DIMENSIONS ARE TO BE MET BEFORE PROTECTIVE COATINGS ARE APPLIED		SCALE	
		PTC 3D		ASME Y14.5M-1994		SHEET 1 OF 1	

Honeywell			
TITLE SWITCH, ASSEMBLY			
SIZE D	DWG TYPE I	DRAWING NAME 2CPS SERIES CHART 3	REV 3

Mouser Electronics

Authorized Distributor

Click to View Pricing, Inventory, Delivery & Lifecycle Information:

[Honeywell:](#)

[2CPSA2A4A](#) [2CPSA1A4B](#) [2CPSA2A4B](#)