

PSI-MOS-CNET/FO 850 E

Order No.: 2313711



<http://eshop.phoenixcontact.de/phoenix/treeViewClick.do?UID=2313711>

Fiber optic converter with integrated optical diagnostics, for ControlNet, 5 Mbps data rate, termination device, interfaces: 1 x CNET, 1 x Alarm, 1 x FO (B-FOC), 850 nm, for HCS/glass fiber (multi-mode)



Commercial data	
GTIN (EAN)	4046356513845
sales group	H622
Pack	1 pcs.
Customs tariff	85176200
Weight/Piece	0.44444 KG
Catalog page information	Page 273 (NTK-2010)

Product notes

WEEE/RoHS-compliant since:
09/02/2010



<http://www.download.phoenixcontact.com>
Please note that the data given here has been taken from the online catalog. For comprehensive information and data, please refer to the user documentation. The General Terms and Conditions of Use apply to Internet downloads.

Technical data

Serial interface	
Interface 1	ControlNet interface, according to EN 50170
File format/coding	Serial asynchronous UART/NRZ
Transmission length	≤ 1000 m

Type of connection	BNC 75 Ω
Conductor cross section solid min.	0.2 mm ²
Conductor cross section solid max.	2.5 mm ²
Conductor cross section stranded min.	2.5 mm ²
Conductor cross section stranded max.	0.2 mm ²
Conductor cross section AWG/kcmil min.	24
Conductor cross section AWG/kcmil max	12
Serial transmission speed	5 Mbps

Optical interface FO

Transmit capacity, minimum	-17.9 dBm (50/125 μm)
	-14.1 dBm (62,5/125 μm)
	-5.1 dBm (200/230 μm)
Minimum receiver sensitivity	-32.50 dBm (50/125 μm)
	-32.50 dBm (62,5/125 μm)
	-32.10 dBm (200/230 μm)
Wavelength	850 nm
Transmission length incl. 3 dB system reserve	≤ 1200 m (with F-K 200/230 8 dB/km with quick mounting connector)
	≤ 3100 m (with F-G 50/125 2.5 dB/km)
	≤ 3000 m (with F-G 62,5/125 3.0 dB/km)
Type of connection	B-FOC

Fault warning output

Maximum switching voltage	max. 60 V DC
Limiting continuous current	0.5 A

Power supply

Nominal supply voltage	24 V DC ± 25%
Supply voltage range	18 V DC ... 32 V DC (via pluggable COMBICON screw terminal block)
Typical current consumption	85 mA (24 V DC)

General data

Bit delay	< 3 Bit
Bit distortion, input	± 35 %
Bit distortion, output	< 6.25 %
Width	35 mm

Height	102 mm
Depth	117 mm
Ambient temperature (storage/transport)	-40 °C ... 85 °C
Ambient temperature (operation)	-20 °C ... 60 °C
Electrical isolation	ControlNet // VCC
Electromagnetic compatibility	Conformance with EMC Directive 2004/108/EC
Noise emission	EN 55011
Noise immunity	EN 61000-6-2
Degree of protection	IP20
Net weight	185 g
Housing material	PA 6.6-FR
Color	green
MTBF	297 Years (Telcordia standard, 25°C temperature, 21% operating cycle (5 days a week, 8 hours a day))
	47 Years (Telcordia standard, 40°C temperature, 34.25% operating cycle (5 days a week, 12 hours a day))
Conformance	CE-compliant
ATEX	Ex II 3 G Ex nA II T4 X
	Ex II (2) GD [Ex op is] IIC (PTB 06 ATEX 2042 U)

Certificates / Approvals

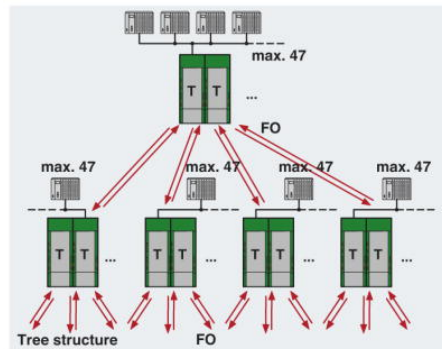
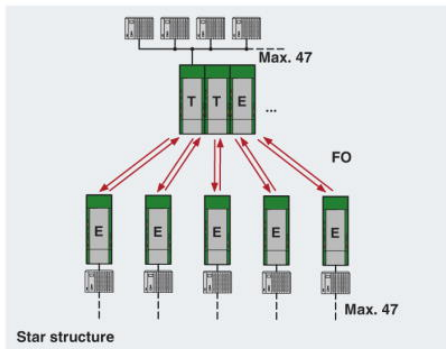
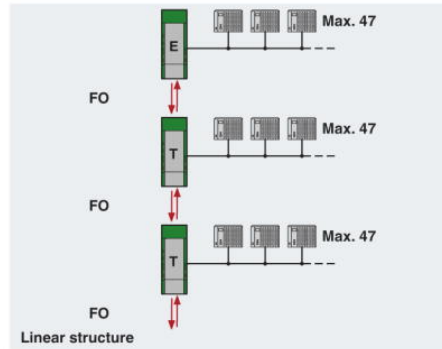
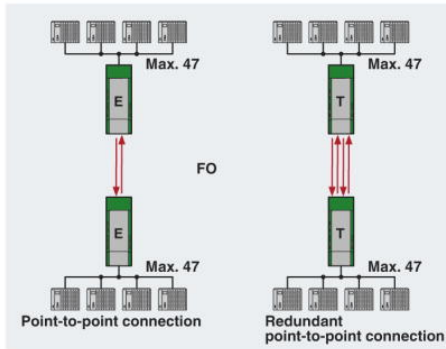
Certification Ex: PTB

Accessories

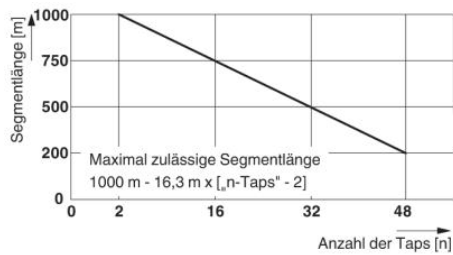
Item	Designation	Description
General		
2709561	ME 17,5 TBUS 1,5/ 5-ST-3,81 GN	DIN rail connector for DIN rail power supply unit, gold-plated contacts, for DIN rail mounting, 5-pos.
2866983	MINI-SYS-PS-100-240AC/24DC/1.5	DIN rail power supply unit, primary-switched mode, slim design, output: 24 V DC / 1.5 A

Diagrams/Drawings

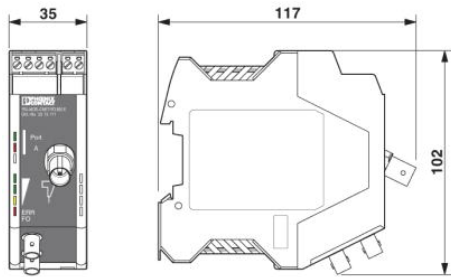
Application drawing



Diagram



Dimensioned drawing



Address

PHOENIX CONTACT Inc., USA
586 Fulling Mill Road
Middletown, PA 17057, USA
Phone (800) 888-7388
Fax (717) 944-1625
<http://www.phoenixcon.com>



© 2010 Phoenix Contact
Technical modifications reserved;