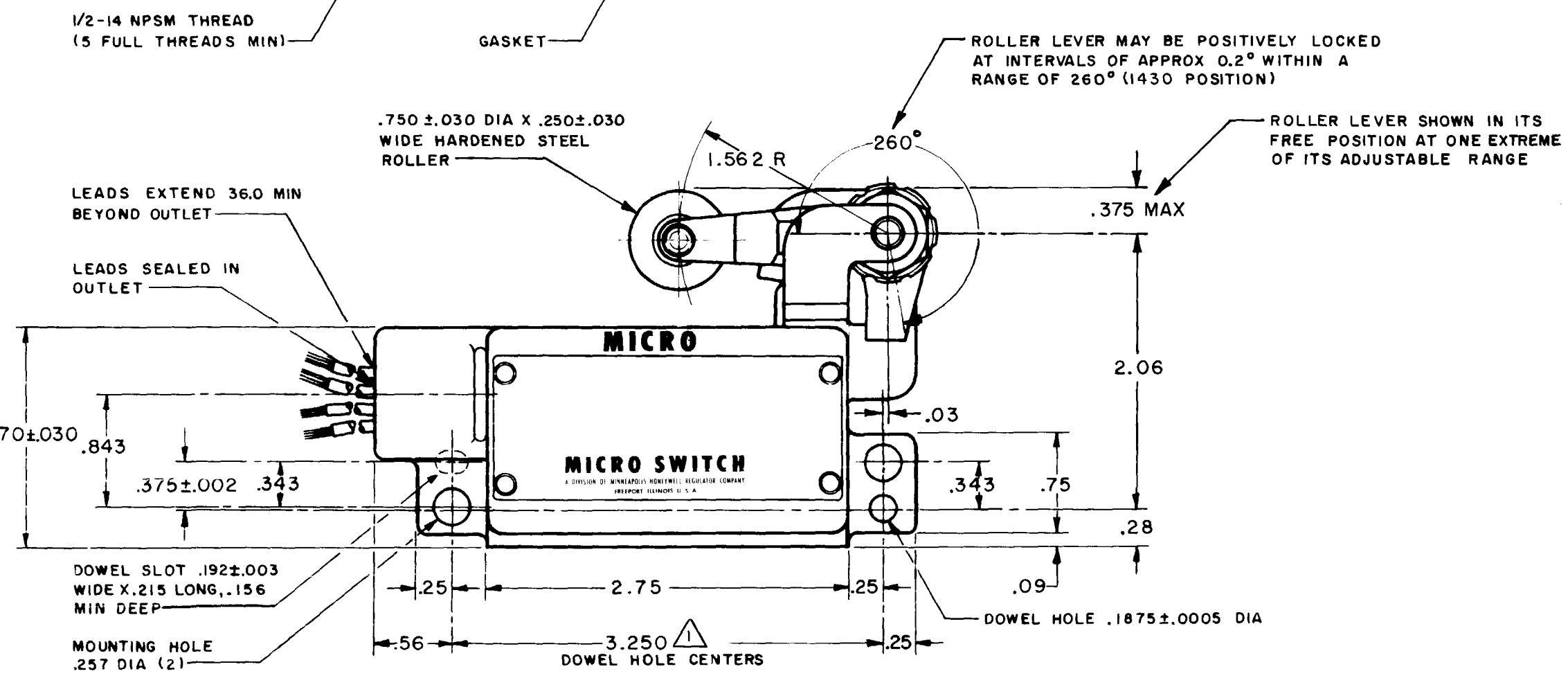
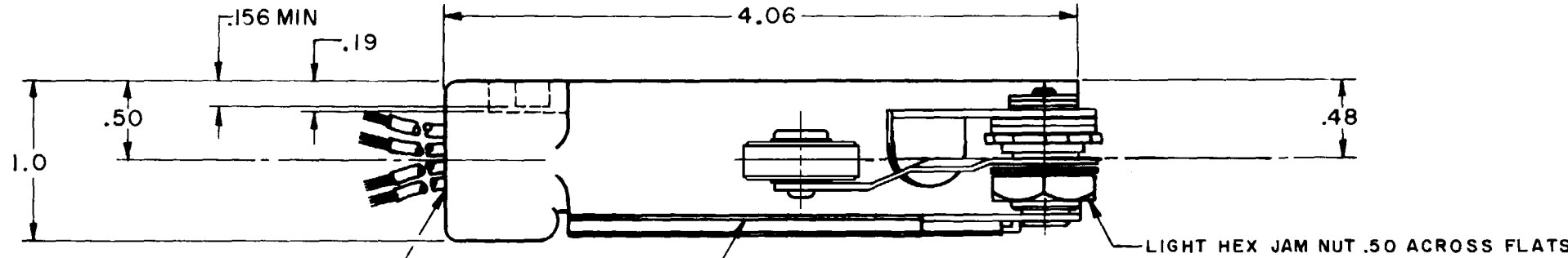
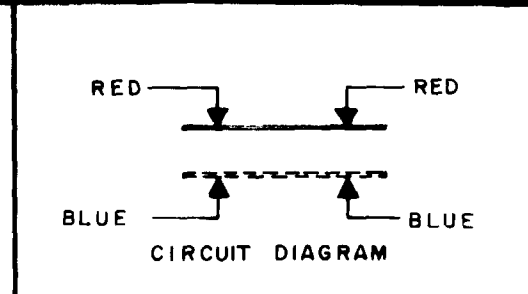


MICRO SWITCH

A DIVISION OF MINNEAPOLIS HONEYWELL REGULATOR COMPANY
 FREEPORT, ILLINOIS
 FED. MFR. CODE 91929

SWITCH - ENCLOSED

CATALOG LISTING
2LN1-3-RH



NOTE
 ▲ - DOWEL HOLES WILL ACCEPT .187 MAX DIA DOWEL PINS ON 3.250 X .375 ±.002 CENTERS

THIS DRAWING COVERS A PROPRIETARY ITEM AND IS THE PROPERTY OF MICRO SWITCH, A DIVISION OF MINNEAPOLIS-HONEYWELL REGULATOR CO. THIS DRAWING IS NOT TO BE COPIED OR USED WITHOUT THE APPROVAL OF MICRO SWITCH.

CHARACTERISTICS	ELECTRICAL DATA	SCALE FULL
OPERATING FORCE ----- 3 LB MAX	CONTACT ARRANGEMENT (SEE CIRCUIT DIAGRAM)	DO NOT SCALE PRINT
DIFFERENTIAL FORCE ----- 1/4 LB MIN	-L25- 10 A-125 OR 250 VAC 1/2 HP-125 VAC RJ	UNLESS OTHERWISE SPECIFIED
RELEASE FORCE ----- 1/2 LB MIN		DIMENSIONS ARE IN INCHES
PRETRAVEL ----- .125 MAX		TOLERANCES ARE:
DIFFERENTIAL TRAVEL ----- .078 MAX		ONE PLACE (.0) ±.030
OVERTRAVEL ----- .344 MIN		TWO PLACE (.00) ±.015
		THREE PLACE (.000) ±.005
		ANGLES ±
		WEIGHT

FORMTEK DRAWN LMH 5 SEP 61
 CHECKED DKN 22 SEP 61
 REVISIONS
 E COB1513B JAK 13 MAR 97
 D CO55988 WEG 10 JUNE 66
 C CO21551 M B F 14 NOV 63
 B CO18546 L M H 5 SEP 61
 A CO16227
 ISSUE 37
 DRAWING NUMBER M
 2LN1-3-RH
 (M) 2LN1-3RH
 ISSUE 2
 REPLACES
 RELEASE NO.

Mouser Electronics

Authorized Distributor

Click to View Pricing, Inventory, Delivery & Lifecycle Information:

[Honeywell:](#)

[2LN1-3-RH](#)