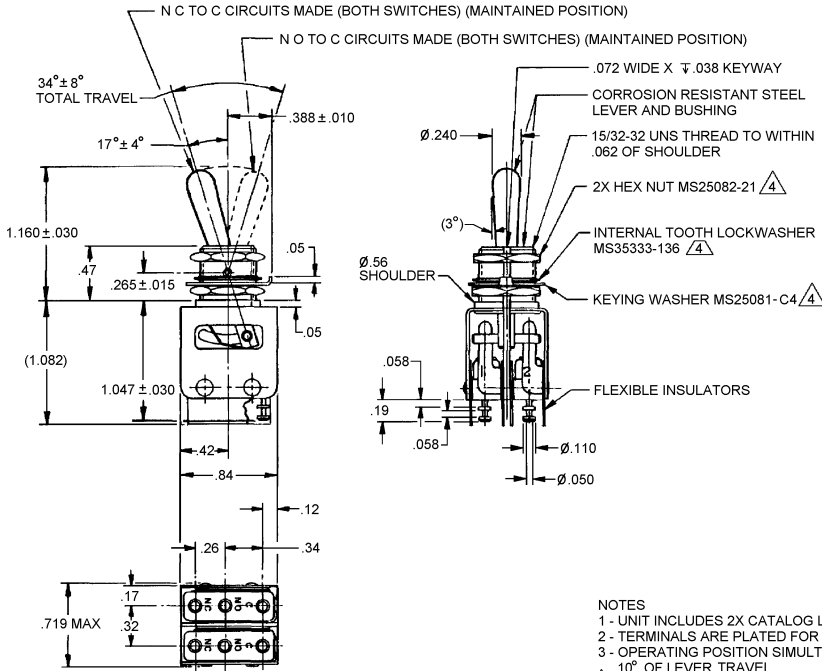


MICRO SWITCH
a Honeywell Division
FED. MFG. CODE 91929

**ASSEMBLY -
TOGGLE SWITCH**

CATALOG LISTING
23AT73-T2
MILITARY P / N
M8805 / 26-001



- NOTES
- 1 - UNIT INCLUDES 2X CATALOG LISTING 21SM284-T2 (MS25085-2) BASIC SWITCH
 - 2 - TERMINALS ARE PLATED FOR SOLDERING
 - 3 - OPERATING POSITION SIMULTANEITY OF BOTH BASIC SWITCHES MUST BE WITHIN 10° OF LEVER TRAVEL
 - 4 - HARDWARE FURNISHED ASSEMBLED WITH SWITCH OR IN PACKET PER MIL-PRF-8805
 - 5 - REPLACEMENT MOUNTING HARDWARE PACKET 15PA311-AT

THIS DRAWING COVERS A PROPRIETARY ITEM AND IS THE PROPERTY OF MICRO SWITCH, A DIVISION OF HONEYWELL. THIS DRAWING IS NOT TO BE COPIED OR USED WITHOUT THE APPROVAL OF MICRO SWITCH

THIRD ANGLE PROJECTION

CHARACTERISTICS	ELECTRICAL DATA		
	CONTACT ARRANGEMENT 2X S P D T		
	SEA LEVEL	50,000 FT	
LOAD	28 VDC	115 VAC	28 VDC
RESISTIVE	5	5	5
INDUCTIVE	3	5	2.5
LAMP	2.4	1.5	2.4

SCALE	FULL
DO NOT SCALE PRINT	
UNLESS OTHERWISE SPECIFIED TOLERANCES ARE	
ONE PLACE	(.01) ± .030
TWO PLACE	(.00) ± .015
THREE PLACE	(.000) ± .005
ANGLES	±
WEIGHT	

ANSI Y14.5M-1982 APPLIES

CATALOG LISTING
23AT73-T2
ISSUE
M
PAGE 1 OF 1
RELEASE NO. PR-1271
REPLACES
CHECK
REVISIONS
A 206069
DLT 6 AUG 02
CHECK
DRAWN
DLT 6 AUG 02
S.A.V. 6 AUG 02
CHECK
RASTER