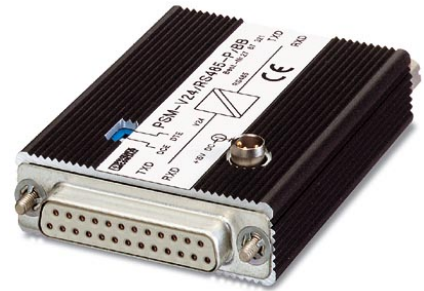


## PSM-V24/RS485-P/BB/I

Order No.: 2761198

The illustration shows version PSM-V24/RS485-P/BB



<http://eshop.phoenixcontact.de/phoenix/treeViewClick.do?UID=2761198>

Interface converter, for converting RS-232 (V.24) to RS-485, with galvanic isolation, change-over of data direction via DTR

### Commercial data

EAN	4017918064617
Pack	1 pcs.
Customs tariff	85176200
Weight/Piece	0.1183 KG
Catalog page information	Page 383 (IF-2002)

<http://www.download.phoenixcontact.com>  
Please note that the data given here has been taken from the online catalog. For comprehensive information and data, please refer to the user documentation. The General Terms and Conditions of Use apply to Internet downloads.

### Technical data

#### Power supply

Nominal supply voltage	12 V 5 % (via PIN 18/7)
Range of supply voltages	15 V DC ... 18 V DC
Typical current consumption	Approx. 70 mA

#### General data

Transmission channels	2 (1/1), RxD, TxD, half-duplex
Bit delay	$\leq 7 \mu\text{s}$
Bit distortion	$\leq 4 \%$
Width	54.5 mm
Height	18 mm
Depth	86 mm
Ambient temperature (operation)	0 °C ... 50 °C
Electrical isolation	RS-232 // RS-485, supply // RS-485

Test voltage data interface/power supply	1 kV DC
Housing material	Aluminum, anodized

### Certificates / Approvals

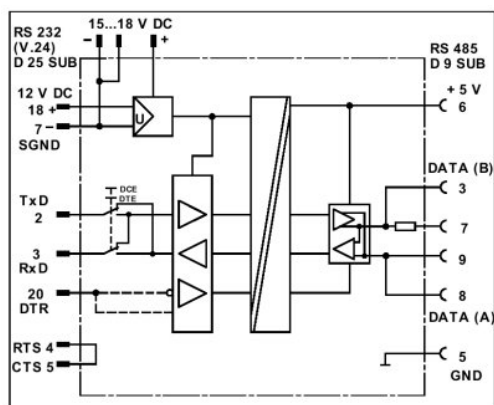


Certification

GOST

### Drawings

Circuit diagram



**Address**

PHOENIX CONTACT GmbH & Co. KG  
Flachsmarktstr. 8  
32825 Blomberg, Germany  
Phone +49 5235 3 00  
Fax +49 5235 3 41200  
<http://www.phoenixcontact.de>



© 2009 Phoenix Contact  
Technical modifications reserved;