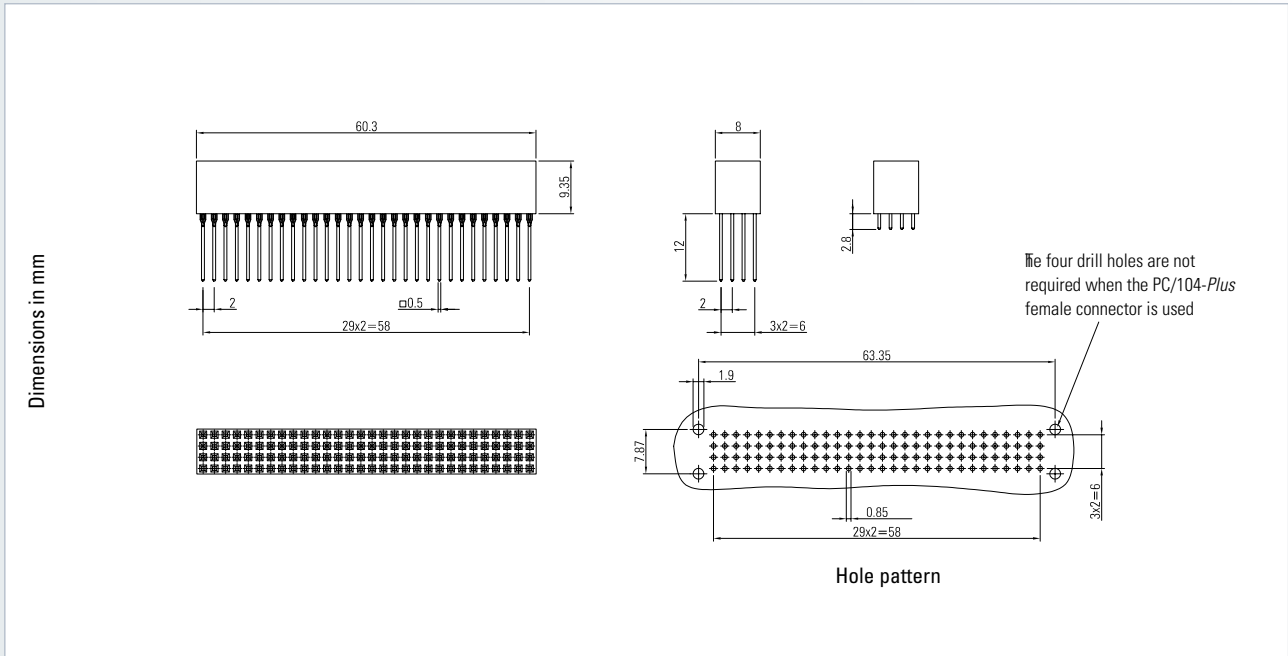


PC/104, PC/104-Plus, VarPol connector

PC/104-Plus

Female connector



	Press-fit technology – Performance level III		Solder technology – Performance level III
	Termination length		
No. of contacts			
	Part number		
120	264-60303-02	264-60303-12	264-40303-02

Accessories

- Press-fit tool (see page 214)
- Support tool (see page 215)
- Shroud (see page 174)

On request

- Other contact numbers

