

4

3

2

1

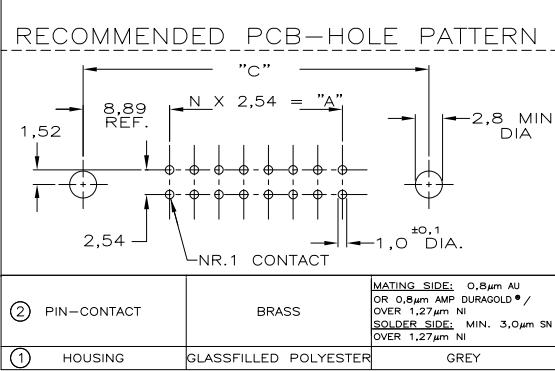
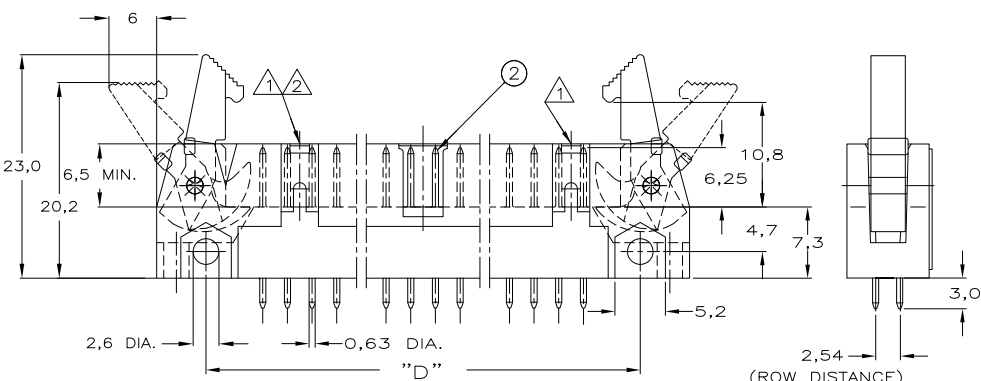
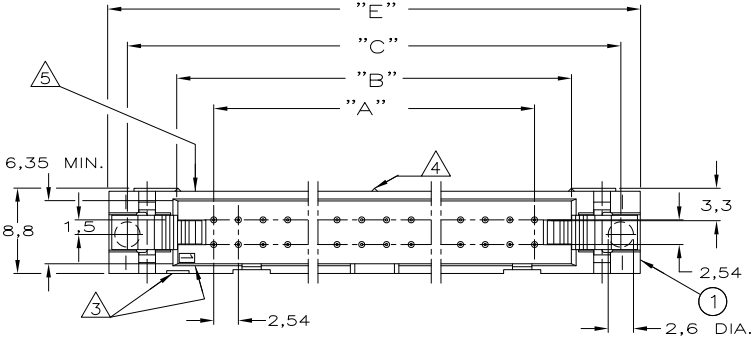
THIS DRAWING IS UNPUBLISHED. RELEASED FOR PUBLICATION. ALL RIGHTS RESERVED.

METRIC LOC H DIST -

REVISED PER ECO-11-005150		DATE	DWN	APVD	
P	LTR	DESCRIPTION	DATE	DWN	APVD
B1			06APR11	RK	HMR

NOTES

- ① SNAP-IN POLARIZERS PN. 927636-2 OR 927637-2 CAN BE APPLIED.
- ② THERE IS NO WINDOW FOR SNAP-IN POLARIZERS AT THIS END IN 10 AND 14 POS. HEADERS.
- ③ INDICATION OF FIRST POSITION.
- ④ THERE IS NO CENTER STAND-OFF IN 10-26 POS. HEADERS.
- ⑤ PARTNUMBER AND PROD.-DATE ON SUITABLE SURFACE X-828 588-X DD.MM.YY



100,6	90,4	96,5	86,4	78,7	64	6-828588-4
95,5	85,3	91,4	81,3	73,7	60	6-828588-0
82,8	72,6	78,7	68,6	61,0	50	5-828588-0
70,1	59,9	66,0	55,9	48,3	40	4-828588-0
62,5	52,3	58,4	48,3	40,6	34	3-828588-4
52,3	42,2	48,3	38,1	30,5	26	2-828588-6
44,7	34,5	40,6	30,5	22,9	20	2-828588-0
39,6	29,5	35,6	25,4	17,8	16	1-828588-6
37,1	26,9	33,0	22,9	15,2	14	1-828588-4
32,0	21,8	27,9	17,8	10,2	10	1-828588-0
DIM."E"	DIM."D"	DIM."C"	DIM."B"	DIM."A"	NR. OF POSITIONS	PARTNUMBER
VARIABLE CONNECTOR DIMENSIONS						

THIS DRAWING IS A CONTROLLED DOCUMENT.

DIMENSIONS:	TOLERANCES UNLESS OTHERWISE SPECIFIED:
mm	
0 PLC	±
1 PLC	±
2 PLC	±
3 PLC	±
4 PLC	±
ANGLES	±
FINISH	

DWN	J.V.LIEMPT	28-11-93
CHK	R.VERSTIJNEN.	
APVD	L.V.SOEST.	
PRODUCT SPEC		
APPLICATION SPEC		
WEIGHT		



AMP-LATCH HEADER 180 DEG VERSION WITH LATCHES

SIZE	CAGE CODE	DRAWING NO	RESTRICTED TO
A3	00779	C-828588	
CUSTOMER DRAWING		SCALE	SHEET 1 of 1 REV B1