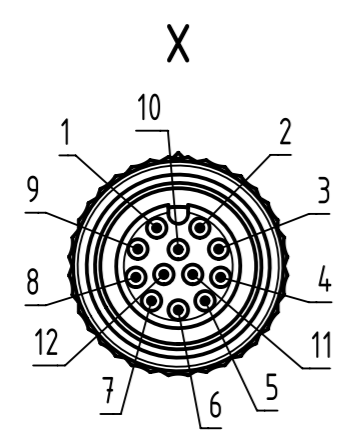
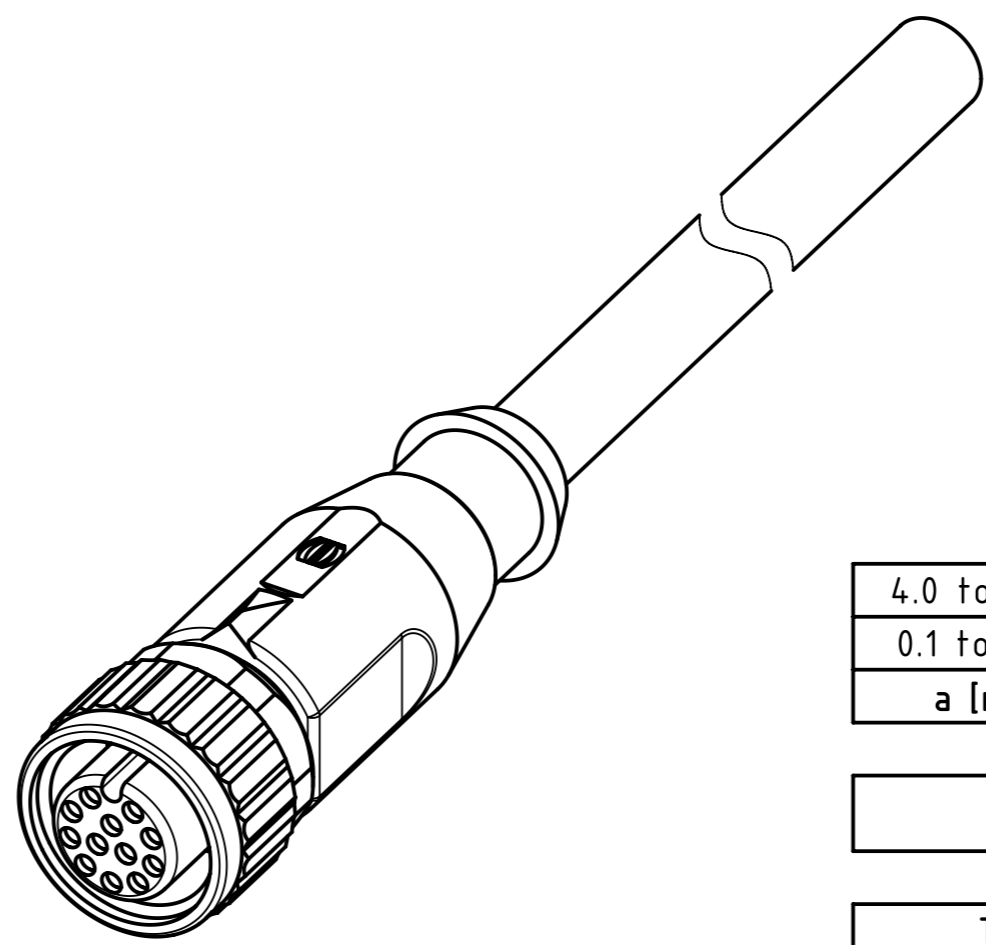


M12 A-coded 12-poles, female straight connector



Loading-Plan:

- 1 brown
- 2 blue
- 3 white
- 4 green
- 5 pink
- 6 yellow
- 7 black
- 8 grey
- 9 red
- 10 violet
- 11 grey-pink
- 12 red-blue



- Protection level: IP67
 - Temperature range: -30°C ... +80°C

length in "1m" step	100	XXX=000
	99	XXX=990
	.	.
	12	XXX=120
length in "0.1m" step	11	XXX=110
	10	XXX=100
	9.9	XXX=099
	9.8	XXX=098
	.	.
	0.4	XXX=004
	0.3	XXX=003
	0.2	XXX=002
	0.1	XXX=001
Step	a [m]	XXX

4.0 to 100	+1%
0.1 to 3.9	+0.04
a [m]	Tolerance

Part no.	21348500CXXXXX
----------	----------------

Type of cable	XX
PVC grey, 12x0.14mm ²	XX=79
PUR black, 12x0.14mm ²	XX=78

All rights reserved Department EC PD - RO HARTING Electronics GmbH D-32339 Espelkamp	All Dimensions in mm Original Size DIN A3	Scale 2:1 Free size tol.	Ref. Sub.
	Created by TAMAS Inspected by AVRAM Standardisation KOHLER Date 2014-07-18 State Final Release	Title M12 A-coded Cable Assembly Type TB Number 21348500CXXXXX	

Mouser Electronics

Authorized Distributor

Click to View Pricing, Inventory, Delivery & Lifecycle Information:

[HARTING:](#)

[21348500C79050](#) [21348500C79010](#)