

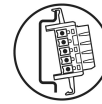
# MINI MCR-SL-UI-F-SP

Order No.: 2810243



<http://eshop.phoenixcontact.de/phoenix/treeViewClick.do?UID=2810243>

MCR analog frequency transducers for converting analog standard signals into frequency signals or PWM signals, with spring-cage connection



## Commercial data

|                          |                    |
|--------------------------|--------------------|
| GTIN (EAN)               |                    |
| sales group              | H520               |
| Pack                     | 1 pcs.             |
| Customs tariff           | 85389091           |
| Catalog page information | Page 365 (IF-2011) |

## Product notes

WEEE/RoHS-compliant since: 04/11/2006



<http://www.download.phoenixcontact.com>  
Please note that the data given here has been taken from the online catalog. For comprehensive information and data, please refer to the user documentation. The General Terms and Conditions of Use apply to Internet downloads.

## Technical data

### Input data

|                           |     |
|---------------------------|-----|
| Configurable/programmable | Yes |
|---------------------------|-----|

|                                   |                                    |
|-----------------------------------|------------------------------------|
| Voltage input signal              | 0 V ... 5 V                        |
|                                   | 1 V ... 5 V                        |
|                                   | 0 V ... 10 V                       |
|                                   | 2 V ... 10 V                       |
| Current input signal              | 0 mA ... 20 mA                     |
|                                   | 4 mA ... 20 mA                     |
|                                   | 0 mA ... 10 mA                     |
|                                   | 2 mA ... 10 mA                     |
| Max. input voltage                | 30 V DC                            |
| Max. input current                | 100 mA                             |
| Input resistance of voltage input | Approx. 110 k $\Omega$             |
| Input resistance current input    | Approx. 50 $\Omega$                |
| Step response (10-90%)            | < 15 ms (< 1 s with larger filter) |

#### Power supply

|                          |   |
|--------------------------|---|
| Nominal supply voltage   | 24 V DC   |
| Supply voltage range     | 19.2 V DC ... 30 V DC (to bridge the supply voltage, the DIN rail connector (ME 6,2 TBUS-2 1,5/5-ST-3,81 GN, Order No. 2869728) can be used. It can be snapped onto a 35 mm DIN rail according to EN 60715) |
| Max. current consumption | < 10 mA (at 24 V DC)  |
| Power consumption        | < 200 mW  |

#### Connection data

|  |                     |
|--|---------------------|
| Connection method                      | Spring-cage conn.   |
| Conductor cross section solid min.     | 0.2 mm <sup>2</sup> |
| Conductor cross section solid max.     | 2.5 mm <sup>2</sup> |
| Conductor cross section stranded min.  | 0.2 mm <sup>2</sup> |
| Conductor cross section stranded max.  | 2.5 mm <sup>2</sup> |
| Conductor cross section AWG/kcmil min. | 24                  |
| Conductor cross section AWG/kcmil max  | 12                  |
| Stripping length                       | 8 mm                |

#### General data

|                            |          |
|----------------------------|----------|
| Width                      | 6.2 mm   |
| Height                     | 93.1 mm  |
| Depth                      | 102.5 mm |
| Maximum transmission error | ≤ 0.2 %  |

|   |  |
|---|--|
| Maximum temperature coefficient         | < 0.02 %/K                                 |
| Ambient temperature (operation)         | -20 °C ... 65 °C                           |
| Ambient temperature (storage/transport) | -40 °C ... 85 °C                           |
| Degree of protection                    | IP20                                       |
| Electrical isolation                    | Basic insulation according to EN 61010     |
| Surge voltage category                  | II   |
| Pollution degree                        | 2  |
| Rated insulation voltage                | 50 V AC/DC                                 |
| Test voltage, input/output/supply       | 1.5 kV (50 Hz, 1 min.)                     |
| Electromagnetic compatibility           | Conformance with EMC Directive 2004/108/EC |
| Noise emission                          | EN 61000-6-4                               |
| Noise immunity                          | EN 61000-6-2:2005                          |
| Color                                   | green                                      |
| Housing material                        | PBT  |
| Mounting position                       | Any  |
| Conformance                             | CE-compliant                               |
| ATEX                                    | Ex II 3 G Ex nA II T4 X                    |
| UL, USA / Canada                        | UL 508 Recognized                          |
| GL                                      | GL EMC 2 D                                 |

### Certificates / Approvals



|                   |             |
|-------------------|-------------|
| Certification     | CUL, GL, UL |
| Certification Ex: | PxC-EX      |

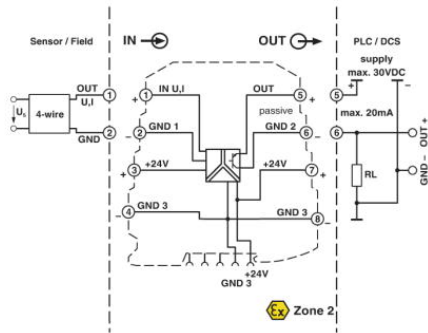
### Accessories

| Item           | Designation                    | Description   |
|----------------|--------------------------------|---|
| <b>General</b> |                                |   |
| 2869728        | ME 6,2 TBUS-2 1,5/5-ST-3,81 GN | DIN rail connector (TBUS), 5-pos., for bridging the supply voltage, can be snapped onto NS 35/... DIN rails according to EN 60715 |

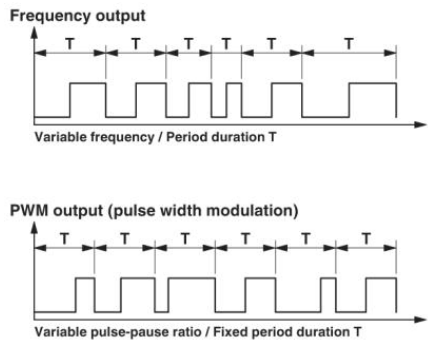
|         |                                |   |
|---------|--------------------------------|---|
| 2864134 | MINI MCR-SL-PTB                | MCR power terminal block for supplying several MINI Analog modules via the DIN rail connectors, with screw connection, current consumption up to max. 2 A       |
| 2864147 | MINI MCR-SL-PTB-SP             | MCR power terminal block for supplying several MINI-ANALOG modules via the DIN rail connectors, with spring-cage connection, current consumption up to max. 2 A |
| 2866653 | MINI-PS-100-240AC/24DC/1.5/EX  | DIN rail power supply unit, primary-switched mode, slim design, output: 24 V DC / 1.5 A, ATEX approval  |
| 2866983 | MINI-SYS-PS-100-240AC/24DC/1.5 | DIN rail power supply unit, primary-switched mode, slim design, output: 24 V DC / 1.5 A   |

**Diagrams/Drawings**

Block diagram

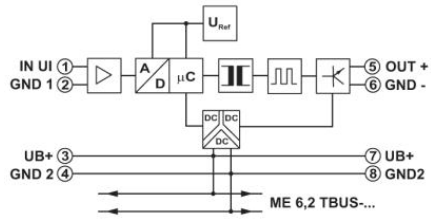


Diagram



Circuit diagram

---



**Address**

PHOENIX CONTACT Inc., USA  
586 Fulling Mill Road  
Middletown, PA 17057, USA  
Phone (800) 888-7388  
Fax (717) 944-1625  
<http://www.phoenixcon.com>



© 2011 Phoenix Contact  
Technical modifications reserved;