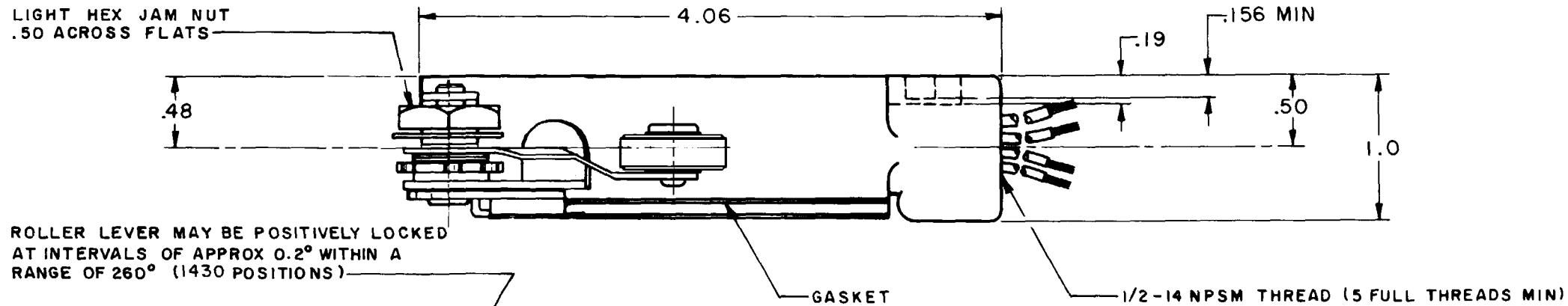
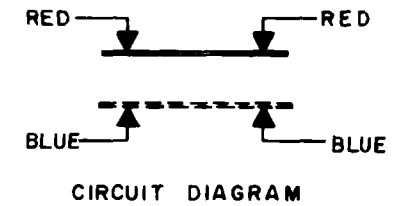


(M) 2LN1-5-LH
ISSUE 1

MICRO SWITCH
A DIVISION OF MINNEAPOLIS HONEYWELL REGULATOR COMPANY
FREEPORT, ILLINOIS
FED. MFR. CODE 91929

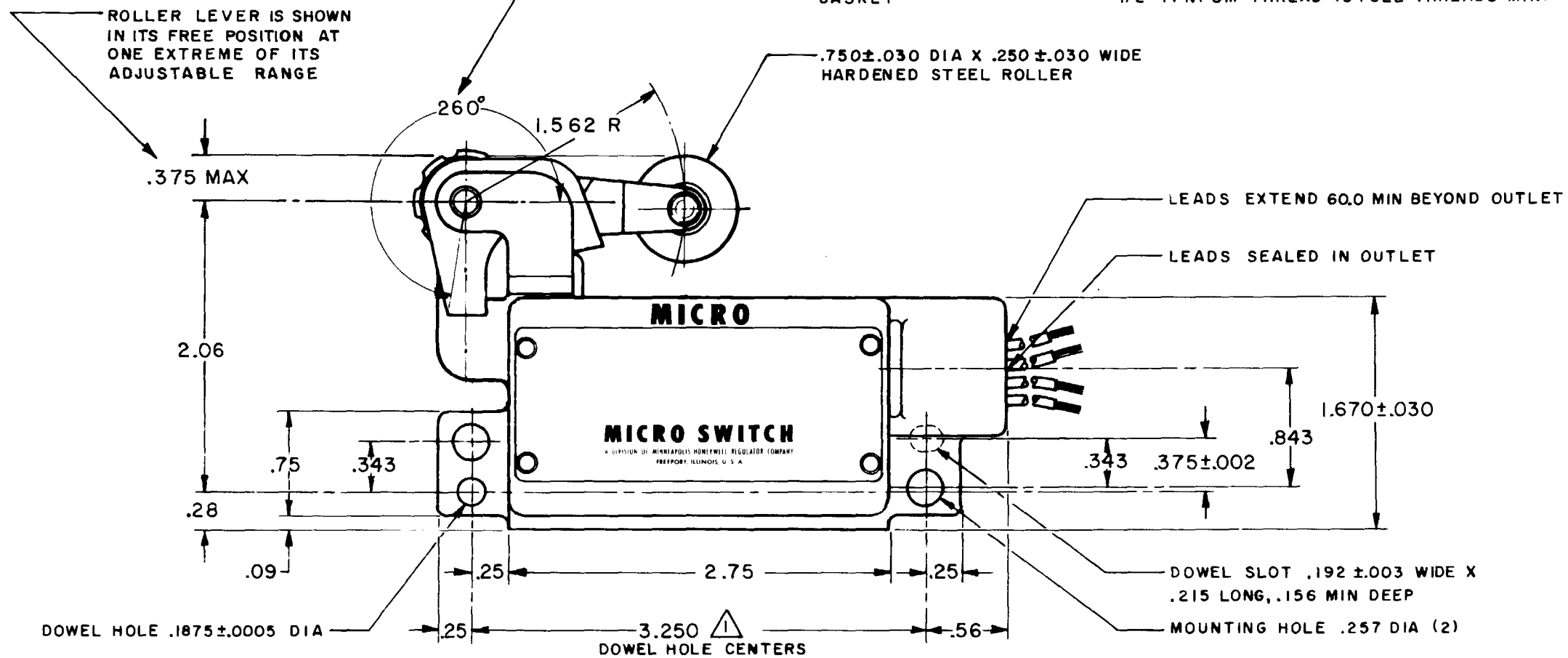
SWITCH-ENCLOSED

CATALOG LISTING
2LN1-5-LH



ROLLER LEVER MAY BE POSITIVELY LOCKED AT INTERVALS OF APPROX 0.2° WITHIN A RANGE OF 260° (1430 POSITIONS)

ROLLER LEVER IS SHOWN IN ITS FREE POSITION AT ONE EXTREME OF ITS ADJUSTABLE RANGE



NOTE -
△ DOWEL HOLES WILL ACCEPT .187 MAX DIA DOWEL PINS ON 3.250 X .375 ± .002 CENTERS

M 2LN1-5-LH

DRAWING NUMBER
ISSUE

REVISIONS

A	CO16227	L M H	6 SEP 61
B	CO18546	V D F	14 NOV 63
C	CO21551	W E G	10 JUNE 66
D	CO55988	M A M	31 OCT 84
E	CO81513B	J A K	13 MAR 97

FORMTEK
DRAWN

THIS DRAWING COVERS A PROPRIETARY ITEM AND IS THE PROPERTY OF MICRO SWITCH, A DIVISION OF MINNEAPOLIS-HONEYWELL REGULATOR CO. THIS DRAWING IS NOT TO BE COPIED OR USED WITHOUT THE APPROVAL OF MICRO SWITCH.

CHARACTERISTICS	ELECTRICAL DATA	SCALE FULL
OPERATING FORCE-----3 LB MAX	CONTACT ARRANGEMENT (SEE CIRCUIT DIAGRAM)	DO NOT SCALE PRINT
DIFFERENTIAL FORCE-----1/4 LB MIN	-L25- 10 A-125 OR 250 VAC 1/2 HP-125 VAC RJ	UNLESS OTHERWISE SPECIFIED
RELEASE FORCE-----1/2 LB MIN		DIMENSIONS ARE IN INCHES
PRETRAVEL-----.125 MAX		TOLERANCES ARE:
DIFFERENTIAL TRAVEL-----.078 MAX		ONE PLACE (.0) ±.030
OVERTRAVEL-----.344 MIN		TWO PLACE (.00) ±.015
		THREE PLACE (.000) ±.005
		ANGLES ±
		WEIGHT

Mouser Electronics

Authorized Distributor

Click to View Pricing, Inventory, Delivery & Lifecycle Information:

[Honeywell:](#)

[2LN1-5-LH](#)