

## Bus coupler - IBS IL 24 BK-LK/45-2MBD-PAC - 2862220

Please be informed that the data shown in this PDF Document is generated from our Online Catalog. Please find the complete data in the user's documentation. Our General Terms of Use for Downloads are valid (<http://phoenixcontact.com/download>)



Inline, Bus coupler, INTERBUS remote bus, F-SMA connector, Transmission speed in the local bus 2 MBit/s, Degree of protection IP20, including Inline connector and labeling field



### Key Commercial Data

Packing unit	1 pc
Weight per Piece (excluding packing)	320.0 g
Custom tariff number	85389091
Country of origin	Germany

### Technical data

#### Note

Utilization restriction	EMC: class A product, see manufacturer's declaration in the download area
-------------------------	---

#### Dimensions

Width	85 mm
Height	119.8 mm
Depth	71.5 mm

#### Ambient conditions

Ambient temperature (operation)	-25 °C ... 55 °C
Ambient temperature (storage/transport)	-25 °C ... 85 °C
Permissible humidity (operation)	75 % ... 85 %
Permissible humidity (storage/transport)	75 % ... 85 %
Air pressure (operation)	80 kPa ... 106 kPa (up to 3000 m above sea level)
Air pressure (storage/transport)	70 kPa ... 106 kPa (up to 3000 m above sea level)
Degree of protection	IP20

## Bus coupler - IBS IL 24 BK-LK/45-2MBD-PAC - 2862220

### Technical data

#### General

Mounting type	DIN rail
Net weight	220 g
Note on weight specifications	Without plug

#### Interfaces

Fieldbus system	INTERBUS
Designation	INTERBUS
Connection method	F-SMA connector
Note on connection method	slanted
Transmission speed	2 MBit/s
Transmission physics	FO
Fieldbus system	Lokalbus
Designation	Inline local bus
Connection method	Inline data jumper
Transmission speed	2 MBit/s

#### System limits of the bus coupler

Number of local bus devices that can be connected	63
Number of devices with parameter channel	62
Number of supported branch terminals with remote bus branch	max. 15

#### Power supply for module electronics

Connection method	Inline connector
Supply voltage	24 V DC (via Inline connector)
Supply voltage range	19.2 V DC ... 30 V DC (including all tolerances, including ripple)
Current consumption	max. 1.25 A (with max. number of connected I/O terminal blocks)

#### Inline potentials

Communications power $U_L$	7.5 V DC $\pm 5\%$
Power supply at $U_L$	max. 2 A DC (observe derating)
I/O supply voltage $U_{ANA}$	24 V DC -15% / +20%
Power supply at $U_{ANA}$	max. 0.5 A DC (observe derating)

#### Standards and Regulations

Test section	7.5 V logics supply, 24 V analog supply, 24 V bus terminal module supply/ functional earth ground 500 V AC 50 Hz 1 min.
--------------	--

## Bus coupler - IBS IL 24 BK-LK/45-2MBD-PAC - 2862220

### Classifications

#### eCl@ss

eCl@ss 4.0	27250203
eCl@ss 4.1	27250203
eCl@ss 5.0	27250203
eCl@ss 5.1	27242608
eCl@ss 6.0	27242608
eCl@ss 7.0	27242608
eCl@ss 8.0	27242608

#### ETIM

ETIM 2.0	EC001434
ETIM 3.0	EC001604
ETIM 4.0	EC001604
ETIM 5.0	EC001604

#### UNSPSC

UNSPSC 6.01	43172015
UNSPSC 7.0901	43201404
UNSPSC 11	43172015
UNSPSC 12.01	43201404
UNSPSC 13.2	43201404

### Approvals

#### Approvals

---

#### Approvals

UL Listed / cUL Listed / EAC / cULus Listed

---

#### Ex Approvals

---

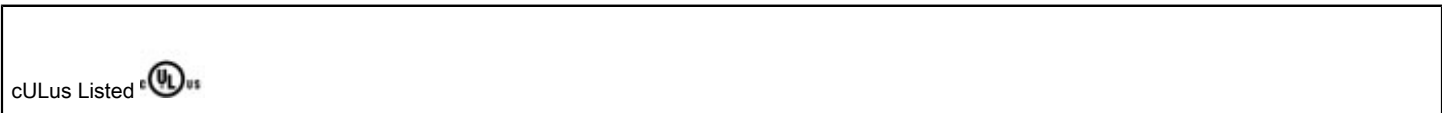
Approvals submitted

---

#### Approval details

# Bus coupler - IBS IL 24 BK-LK/45-2MBD-PAC - 2862220

## Approvals



## Accessories

### Accessories

#### Plug

Inline connector - IB IL SCN-8-CP - 2727608

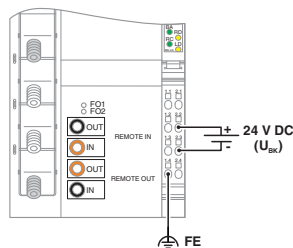


Inline connector, colored

## Drawings

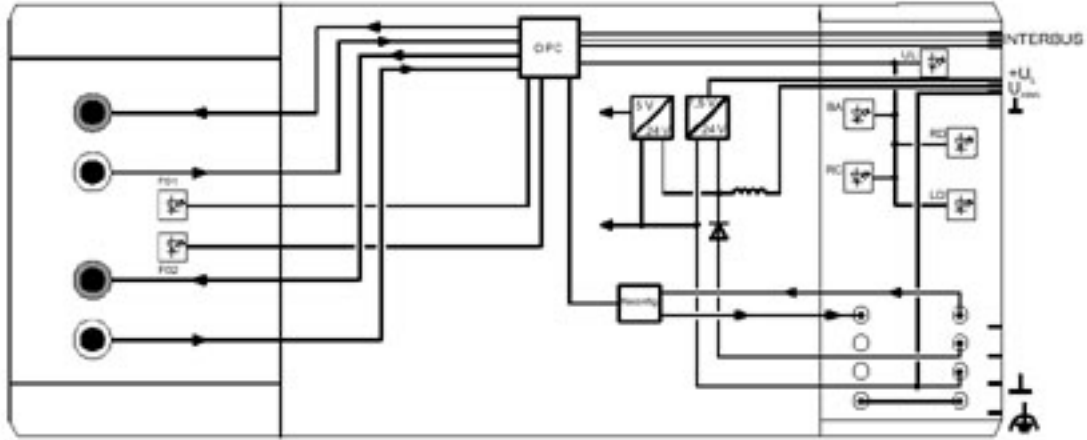
Dimensional drawing

Connection diagram



# Bus coupler - IBS IL 24 BK-LK/45-2MBD-PAC - 2862220

Block diagram



# Mouser Electronics

Authorized Distributor

Click to View Pricing, Inventory, Delivery & Lifecycle Information:

[Phoenix Contact:](#)

[2862220](#)