



### FEATURES

- RoHS compliant
- Up to 2.1A I<sub>dc</sub>
- 2.2μH to 220μH
- Optional integral EMI shield
- Low R<sub>DC</sub>
- Surface mount
- Compact size
- Tape and reel packaging
- J-STD-020C reflow
- Backward compatible with Sn/Pb soldering systems

### DESCRIPTION

The 2300 series is a range of bobbin-wound, surface-mount inductors designed for use in switching power supply, and power line filter circuits. The parts are suitable for any application requiring a high saturation current in a miniature surface-mount footprint. Where EMI is a critical factor, the devices are available with an integral ferrite EMI shield.

### SELECTION GUIDE (UNSHIELDED TYPES)

Order Code	Inductance (1kHz, 100mV <sub>AC</sub> )	Inductance Range (1kHz, 100mV <sub>AC</sub> )	DC Current <sup>1</sup>	DC Resistance
	Nom.	Min. - Max.	Max.	Max.
	μH	μH	A	Ω
232R2C	2.2	1.7 - 2.8	2.10	0.040
233R3C	3.3	2.3 - 3.9	1.80	0.058
234R7C	4.7	3.6 - 6.0	1.48	0.068
236R8C	6.8	5.1 - 8.6	1.22	0.102
23100C	10	7.6 - 12.7	1.02	0.138
23150C	15	11.3 - 18.9	0.86	0.210
23220C	22	16.8 - 28.1	0.74	0.361
23330C	33	24.6 - 41.0	0.64	0.497
23470C	47	34.6 - 57.6	0.55	0.683
23680C	68	51.0 - 85.0	0.49	1.051
23101C	100	74.2 - 124	0.43	1.281

### SELECTION GUIDE (SHIELDED TYPES)

Order Code	Inductance (1kHz, 100mV <sub>AC</sub> )	Inductance Range (1kHz, 100mV <sub>AC</sub> )	DC Current <sup>1</sup>	DC Resistance
	Nom.	Min. - Max.	Max.	Max.
	μH	μH	A	Ω
23S2R2C	2.2	1.8 - 3.0	2.10	0.025
23S3R3C	3.3	2.7 - 4.5	1.80	0.031
23S4R7C	4.7	3.8 - 6.4	1.60	0.044
23S6R8C	6.8	5.2 - 8.6	1.40	0.064
23S100C	10	7.5 - 12.6	1.18	0.087
23S120C	12	9.4 - 15.6	1.08	0.107
23S150C	15	11.4 - 19.0	0.96	0.131
23S180C	18	13.6 - 22.6	0.88	0.143
23S220C	22	16.0 - 26.7	0.80	0.175
23S270C	27	20.0 - 33.3	0.72	0.218
23S330C	33	24.4 - 40.7	0.65	0.241
23S390C	39	29.3 - 48.8	0.60	0.370
23S470C	47	34.6 - 57.7	0.54	0.460
23S560C	56	42.4 - 70.6	0.50	0.509
23S680C	68	50.9 - 84.9	0.45	0.641
23S101C	100	75.8 - 126	0.37	0.782
23S151C	150	112 - 187	0.30	1.190
23S221C	220	167 - 279	0.25	2.280

### ABSOLUTE MAXIMUM RATINGS

Operating free air temperature range	-40°C to 85°C
Storage temperature range	-40°C to 125°C

### SOLDERING INFORMATION<sup>2</sup>

Peak reflow temperature	250°C
Pin finish	Hot dipped tin

Specifications typical at T<sub>A</sub> = 25°C

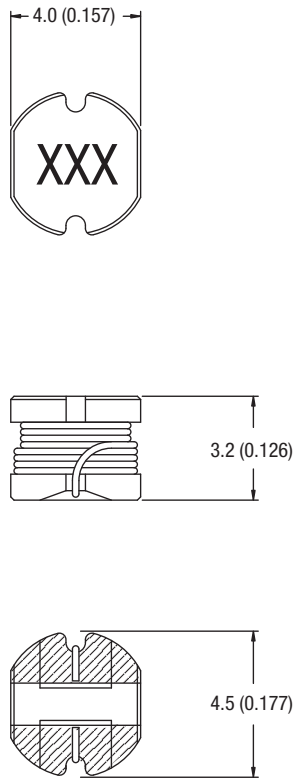
- 1 The maximum DC current is the value at which the inductance falls to 75% of its nominal value or when its temperature rise reaches 40°C, whichever is sooner.
- 2 For further information, please visit [www.murata-ps.com/rohs](http://www.murata-ps.com/rohs)



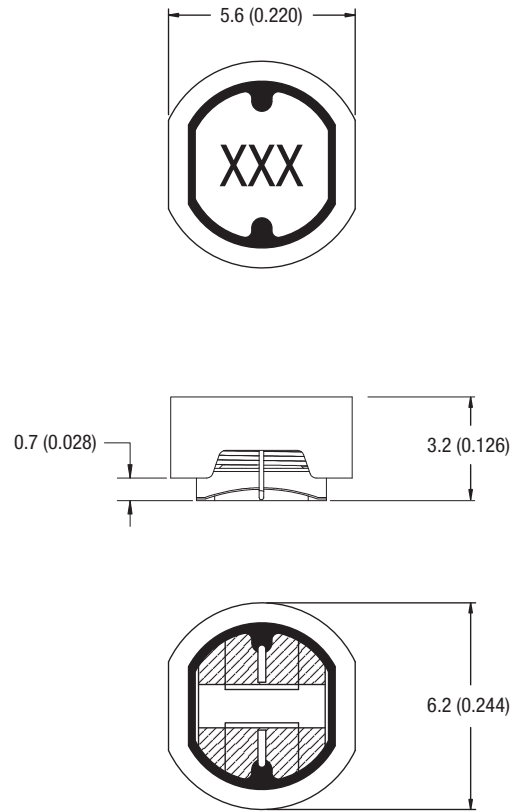
For full details go to  
[www.murata-ps.com/rohs](http://www.murata-ps.com/rohs)

**MECHANICAL DIMENSIONS**

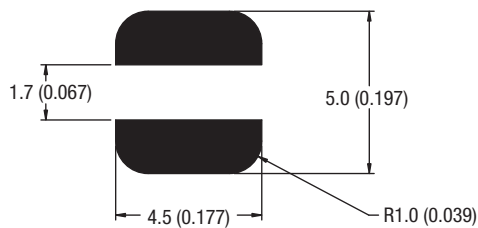
**UNSHIELDED TYPES**



**SHIELDED TYPES**

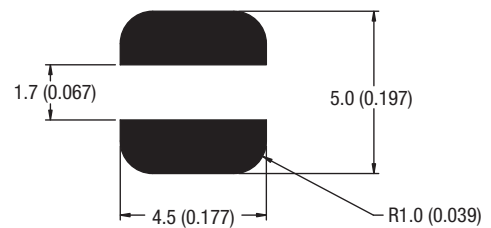


**RECOMMENDED FOOTPRINT**



Unless otherwise stated all dimensions in mm (inches)  $\pm 0.25$  (0.01).  
Hatching represents solder pads. Package Weight 0.20g Typ.

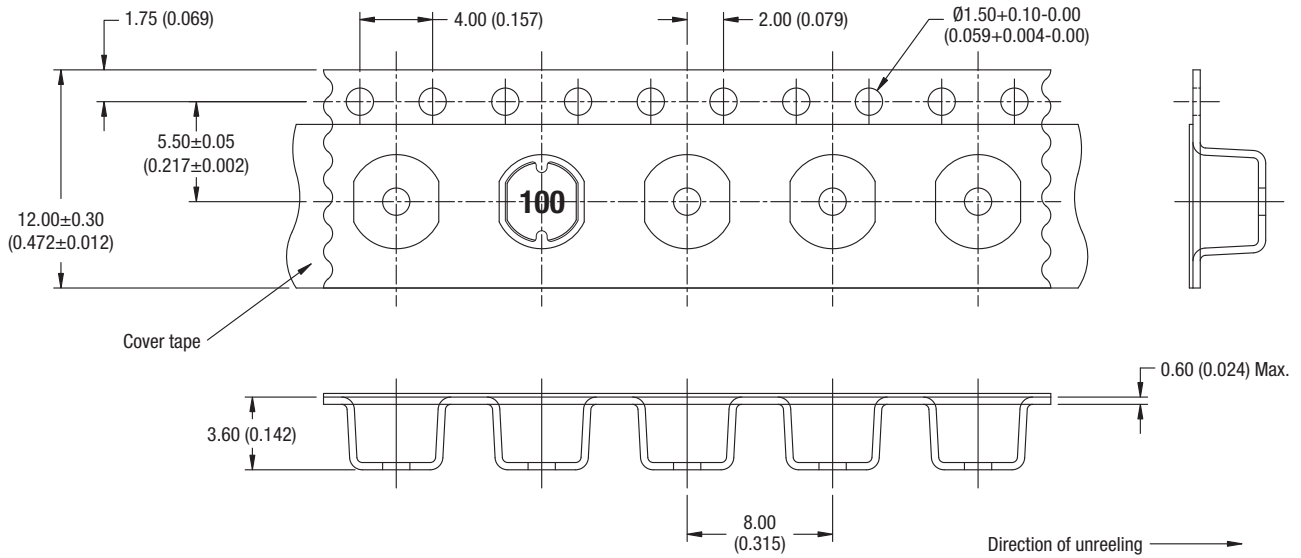
**RECOMMENDED FOOTPRINT**



Unless otherwise stated all dimensions in mm (inches)  $\pm 0.25$  (0.01).  
Hatching represents solder pads. Package Weight 0.34g Typ.

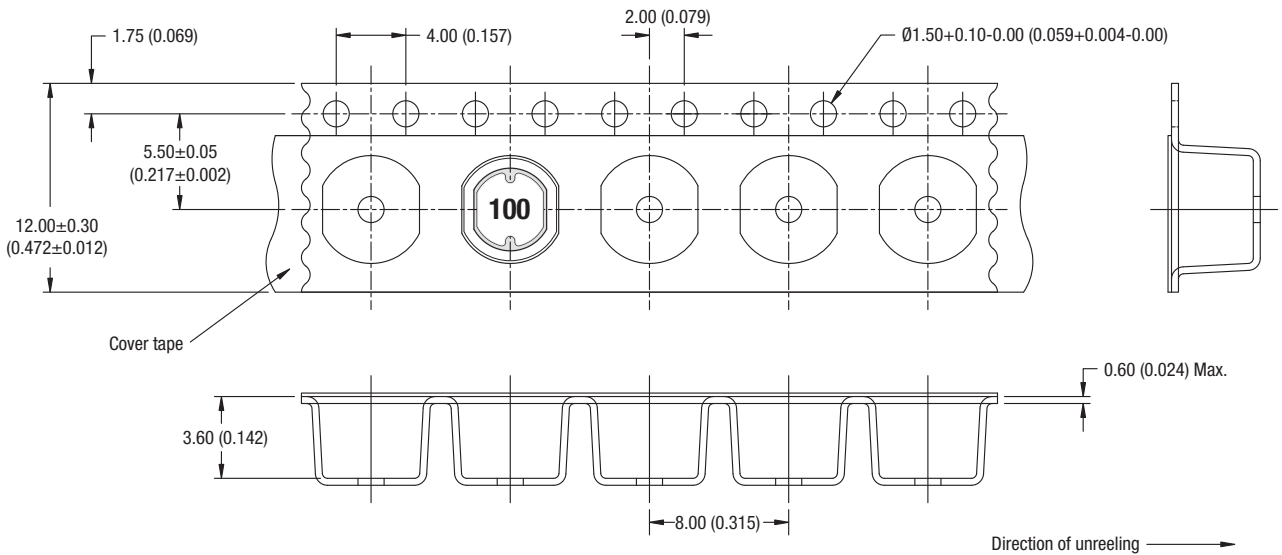
**TAPE & REEL SPECIFICATIONS**

**TAPE OUTLINE DIMENSIONS - UNSHIELDED PARTS**



All dimensions in mm (inches)

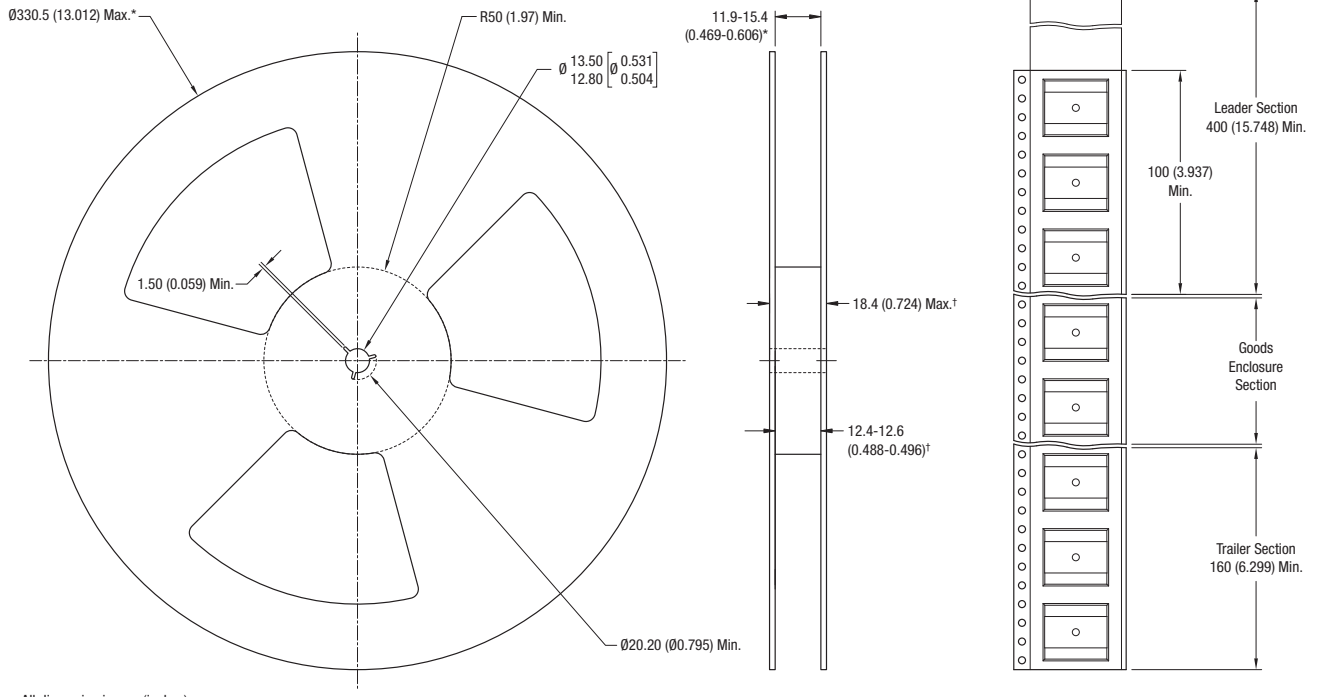
**TAPE OUTLINE DIMENSIONS - SHIELDED PARTS**



All dimensions in mm (inches)

**TAPE & REEL SPECIFICATIONS (Continued)**

**REEL OUTLINE DIMENSIONS**



All dimension in mm (inches)  
 \* Includes flange distortion at outer edge  
 † Measured at hub

**DISCLAIMER**

Unless otherwise stated in the datasheet, all products are designed for standard commercial and industrial applications and NOT for safety-critical and/or life-critical applications.

Particularly for safety-critical and/or life-critical applications, i.e. applications that may directly endanger or cause the loss of life, inflict bodily harm and/or loss or severe damage to equipment/property, and severely harm the environment, a prior explicit written approval from Murata is strictly required. Any use of Murata standard products for any safety-critical, life-critical or any related applications without any prior explicit written approval from Murata shall be deemed unauthorised use.

These applications include but are not limited to:

- Aircraft equipment
- Aerospace equipment
- Undersea equipment
- Power plant control equipment
- Medical equipment
- Transportation equipment (automobiles, trains, ships, etc.)
- Traffic signal equipment
- Disaster prevention / crime prevention equipment
- Data Processing equipment

Murata makes no express or implied warranty, representation, or guarantee of suitability, fitness for any particular use/purpose and/or compatibility with any application or device of the buyer, nor does Murata assume any liability whatsoever arising out of unauthorised use of any Murata product for the application of the buyer. The suitability, fitness for any particular use/purpose and/or compatibility of Murata product with any application or device of the buyer remain to be the responsibility and liability of the buyer.

Buyer represents and agrees that it has all the necessary expertise to create and implement safeguards that anticipate dangerous consequences of failures, monitor failures and their consequences, lessen the likelihood of failures that might cause harm, and take appropriate remedial actions. Buyer will fully indemnify and hold Murata, its affiliated companies, and its representatives harmless against any damages arising out of unauthorised use of any Murata products in any safety-critical and/or life-critical applications.

Remark: Murata in this section refers to Murata Manufacturing Company and its affiliated companies worldwide including, but not limited to, Murata Power Solutions.



This product is subject to the following [operating requirements](https://www.murata.com/en-eu/products/power/requirements) and the [Life and Safety Critical Application Sales Policy](https://www.murata.com/en-eu/products/power/requirements):

Refer to: <https://www.murata.com/en-eu/products/power/requirements>

Murata Power Solutions (Milton Keynes) Ltd. makes no representation that the use of its products in the circuits described herein, or the use of other technical information contained herein, will not infringe upon existing or future patent rights. The descriptions contained herein do not imply the granting of licenses to make, use, or sell equipment constructed in accordance therewith. Specifications are subject to change without notice.

© 2020 Murata Power Solutions (Milton Keynes) Ltd.