

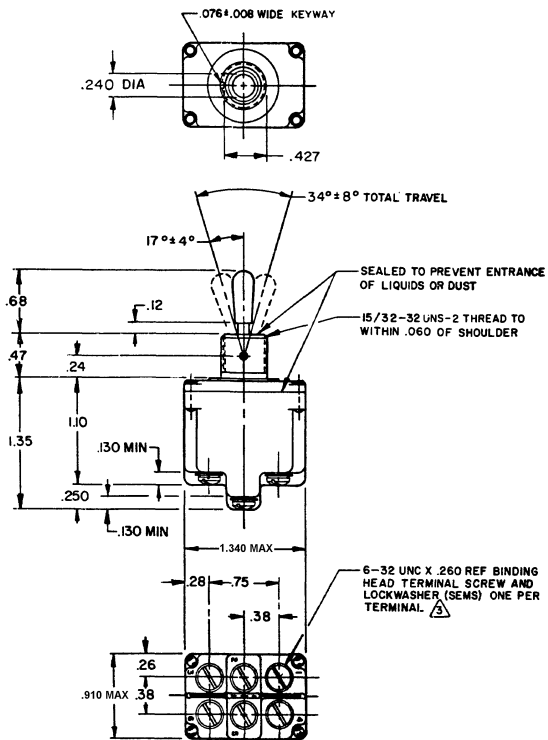
MICRO SWITCH
a Honeywell Division
FED. MFG. CODE 91829

SWITCH - TOGGLE

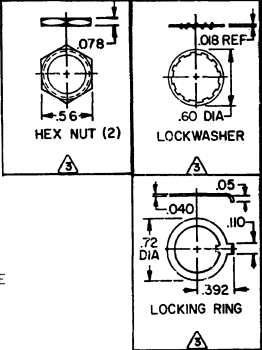
CATALOG LISTING
2TL1 SERIES
CHART 1

THIS DRAWING COVERS A PROPRIETARY ITEM AND IS THE PROPERTY OF MICRO SWITCH A DIVISION OF HONEYWELL. THIS DRAWING IS NOT TO BE COPIED OR USED WITHOUT THE APPROVAL OF MICRO SWITCH

CATALOG LISTING
M 2TL1 SERIES CHART 1
 PAGE 1 OF 1
 ISSUE 28
 REVISIONS
 1 1/27 11/8 98
 2 1/27 11/8 98
 3 1/27 11/8 98
 4 1/27 11/8 98
 C 1/27 11/8 98
 D 1/27 11/8 98
 E 1/27 11/8 98
 F 1/27 11/8 98
 G 1/27 11/8 98
 H 1/27 11/8 98
 I 1/27 11/8 98
 J 1/27 11/8 98
 K 1/27 11/8 98
 L 1/27 11/8 98
 M 1/27 11/8 98
 N 1/27 11/8 98
 O 1/27 11/8 98
 P 1/27 11/8 98
 Q 1/27 11/8 98
 R 1/27 11/8 98
 S 1/27 11/8 98
 T 1/27 11/8 98
 U 1/27 11/8 98
 V 1/27 11/8 98
 W 1/27 11/8 98
 X 1/27 11/8 98
 Y 1/27 11/8 98
 Z 1/27 11/8 98
 DRAWN J. J. A. 27 FEB 96
 CHECK J. J. A. 27 FEB 96
 MDM 06 FEB 04
 FORMTEK
 RELEASE NO.



MILITARY STANDARD NUMBER	CATALOG LISTING	CIRCUIT MADE IN			MILITARY RATING (AMPS)									
		WITH KEYWAY SIDE (1-2,4-5)	TOGGLE CENTER (1-2,4-5)	LEVER IN OPPOSITE KEYWAY (2-3,5-6)	RESISTIVE LOAD				INDUCTIVE LOAD					
					DC VOLTS	AC VOLTS	AMP LOAD	INDUCTIVE LOAD	DC VOLTS	AC VOLTS	AMP LOAD	INDUCTIVE LOAD		
24524-21	2TL1-1	ON	OFF	ON	28	125	250	125	250	28	125	250	125	250
24524-22	2TL1-2	OFF	NONE	ON	20	.75	.5	15	6	7	4	15	15	
24524-23	2TL1-3	ON	NONE	ON	(REFER TO L191 FOR UL RATING)									
24524-24	2TL1-21	NONE	OFF	ON	(REFER TO L191 FOR UL RATING)									
24524-33	2TL1-31	NONE	ON	ON	(REFER TO L191 FOR UL RATING)									
24524-29	2TL1-4	MOM OFF	NONE	ON	18	.75	.5	11	6	5	2	10	8	
24524-31	2TL1-5	MOM ON	OFF	ON	(REFER TO L192 FOR UL RATING)									
24524-30	2TL1-6	MOM ON	NONE	OFF	(REFER TO L192 FOR UL RATING)									
24524-27	2TL1-7	MOM ON	OFF	MOM ON	(REFER TO L192 FOR UL RATING)									
24524-26	2TL1-8	MOM ON	NONE	ON	(REFER TO L192 FOR UL RATING)									
24524-32	2TL1-51	NONE	ON	MOM ON	(REFER TO L192 FOR UL RATING)									
24524-28	2TL1-61	MOM ON	OFF	NONE	(REFER TO L192 FOR UL RATING)									



- NOTES
- SWITCHES ARE CAPABLE OF WITHSTANDING A TEMPERATURE OF 160°F CONTINUOUSLY AT FULL RATED LOAD
 - CIRCUIT DESIGNATION, MICRO SWITCH CATALOG LISTING AND "MS" NUMBER MARKED ON SIDE OF SWITCH
 - FURNISHED UNASSEMBLED
 - FOR TERMINAL COVER SEE MICRO SWITCH CATALOG LISTING 5PA8
 - APPLIES ONLY TO "ON" AND "MOMENTARY ON" POSITIONS
 - THESE SWITCHES ARE QUALIFIED UNDER MIL-S-3950

THIRD ANGLE PROJECTION
 SCALE FULL
 DO NOT SCALE PRINT
 UNLESS OTHERWISE SPECIFIED TOLERANCES ARE
 ONE PLACE (.01) ± .030
 TWO PLACE (.001) ± .015
 THREE PLACE (.000) ± .005
 ANGLES ±
 WEIGHT .12 LB. APPROX.

CE
 15A-125, 250 OR 277VAC
 1/2HP-125VAC; 1HP-250, 277VAC
 5A-125VAC "L" CODE L191

CE
 10A-125, 250 OR 277VAC
 1/4HP-125VAC; 1/2HP-250, 277VAC
 3A-125VAC "L" CODE L192

MICRO SWITCH
 FREEPORT, ILLINOIS, U.S.A.
 A DIVISION OF HONEYWELL
 FED. MFG. CODE 51922

SWITCH-TOGGLE

CATALOG LISTING
2TL1-70 SERIES
CHART 1

MILITARY STANDARD NUMBER
 27407-6
 27408-6

CATALOG LISTING
 2TL1-70
 2TL1-70

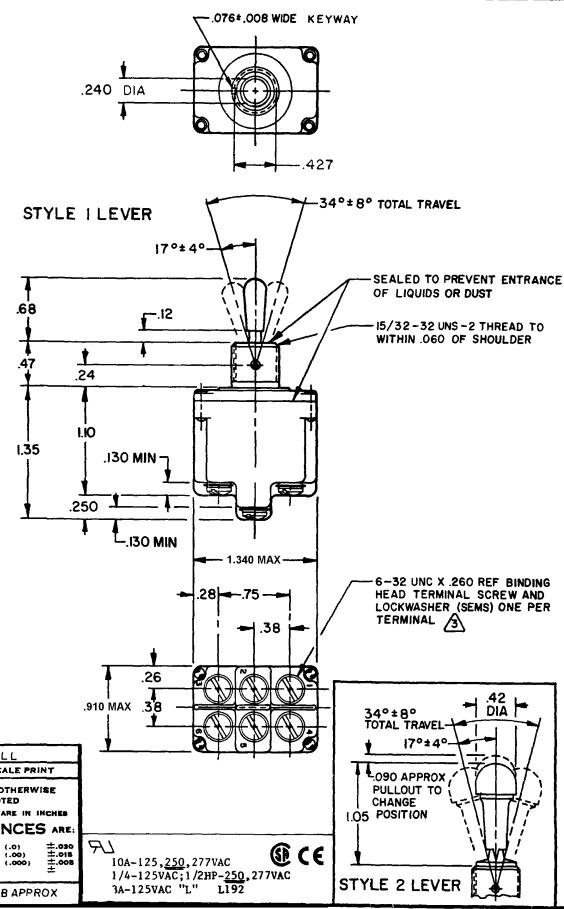
AVAILABLE LOCKING COMBINATIONS FOR CONFIGURATION SEE LETTERED DETAILS
 NONE
 E, L, N

STYLE NUMBER
 1
 2

MILITARY RATING (AMPS)

RESISTIVE LOAD		LAMP LOAD		INDUCTIVE LOAD	
DC VOLTS	AC VOLTS	28 VDC	125 VDC	28 VDC	125 VDC
28	125	250	125	250	125
1/8	.75	.5	11	6	5
				2	10
					8

THIS DRAWING COVERS A PROPRIETARY ITEM AND IS THE PROPERTY OF MICRO SWITCH, A DIVISION OF HONEYWELL. THIS DRAWING IS NOT TO BE COPIED OR USED WITHOUT THE APPROVAL OF MICRO SWITCH.



MILITARY STANDARD NUMBER	CATALOG LISTING	AVAILABLE LOCKING COMBINATIONS FOR CONFIGURATION SEE LETTERED DETAILS	STYLE NUMBER	MILITARY RATING (AMPS)
27407-6	2TL1-70	NONE	1	RESISTIVE LOAD: 28 DC VOLTS, 125 AC VOLTS, 250 VDC; LAMP LOAD: 125 VDC; INDUCTIVE LOAD: 28 VDC, 125 VAC
27408-6	2TL1-70	E, L, N	2	RESISTIVE LOAD: 28 DC VOLTS, 125 AC VOLTS, 250 VDC; LAMP LOAD: 125 VDC; INDUCTIVE LOAD: 28 VDC, 125 VAC

KEYWAY SIDE	CENTER	OPPOSITE KEYWAY
MOMENTARY POSITION	MAINTAINED POSITION	MOMENTARY POSITION

- NOTES**
- SWITCHES ARE CAPABLE OF WITHSTANDING A TEMPERATURE OF 160°F CONTINUOUSLY AT FULL RATED LOAD
 - CIRCUIT DESIGNATION, MICRO SWITCH CATALOG LISTING AND MS NUMBER MARKED ON SIDE OF SWITCH
 - FURNISHED UNASSEMBLED
 - FOR TERMINAL COVER SEE MICRO SWITCH CAT. LIST. 5PA8
 - KEYWAY SHOWN ON LEFT SIDE
 - SUFFIX LETTER MUST BE ADDED FOR DESIRED TYPE OF TOGGLE LOCKING. SEE CHART FOR AVAILABLE LOCKING COMBINATIONS
 - THESE SWITCHES ARE QUALIFIED UNDER MIL-S-3950

CATALOG LISTING
2TL1-70 SERIES CHART 1

ISSUE
M

RELEASE NO. CO-78465
 REF: 2TL1-70 SERIES

OF 1
 PAGE 1

REVISIONS

REV	DATE	BY	DESCRIPTION
A	50	47	
B	50	47	
C	50	47	
D	50	47	
E	50	47	
F	50	47	
G	50	47	
H	50	47	
I	50	47	
J	50	47	
K	50	47	
L	50	47	
M	50	47	
N	50	47	
O	50	47	
P	50	47	
Q	50	47	
R	50	47	
S	50	47	
T	50	47	
U	50	47	
V	50	47	
W	50	47	
X	50	47	
Y	50	47	
Z	50	47	

FORMTEK

SCALE FULL
 DO NOT SCALE PRINT
 UNLESS OTHERWISE NOTED
 DIMENSIONS ARE IN INCHES
TOLERANCES ARE:
 ONE PLACE (.01) .030
 TWO PLACE (.001) .008
 THREE PLACE (.000) .005
 ANGLES .008

10A-125, 250, 277VAC
 1/4-125VAC; 1/2HP-250, 277VAC
 1A-125VAC "L" L192

WEIGHT .15 LB APPROX

