

PRODUCT NUMBER
20020327-XXXXXXLF

20020327-□ □ □ □ □ 0 □ L F

PITCH
C: 3.50 mm
D: 3.81 mm

POLES
02: 2 POLES
03: 3 POLES
04: 4 POLES
24: 24 POLES

LF : DENOTED RoHS COMPATIBLE

1 : STANDARD PRODUCT
W/ BOX PACKING

SCREW CODE

CODE	SCREW TYPE	AVAILABILITY
A	-/+	ON REQUEST ONLY
B	-	STANDARD

PROPERTY TABLE			
FCI SERIES NAME		26-350	26-381
PITCH (mm)		3.50	3.81
VOLTAGE RATING (VAC)		300	300
CURRENT RATING (A)		10	10
APPLICABLE WIRE RANGE (AWG)	1-WIRE	16~24	16~24
	2-WIRE	20	20
WIRE CROSS SECTION (mm ²)	SOLID	1-WIRE	1.5
		2-WIRE	0.5
	STRANDED	1-WIRE	1.0
		2-WIRE	0.2
OPENING CONTACT HOUSING(mm ²)		1.6x1.6	1.6x1.6
WIRE STRIP LENGTH(mm)		5~6	5~6
TORQUE +/-10% (N-m/Lb-in)		0.19/1.7	0.19/1.7
SCREW		M2x0.4	M2x0.4
WITHSTANDING VOLTAGE (kV)		1.6	1.6
OPERATING TEMP. (°C)		-40~+115	-40~+115
SOLDERING TEMP. (°C)		250±10 (5 sec.)	250±10 (5 sec.)
POLES AVAILABLE		02~24	02~24
SAFETY CERTIFICATE			

HOUSING CODE

CODE	COLOR	AVAILABILITY
1	GREEN(RAL 6018/T)	STANDARD
2	BLACK	ON REQUEST ONLY
3	GREY(RAL 7004/P)	ON REQUEST ONLY
4	BLUE(RAL 5015/A)	ON REQUEST ONLY

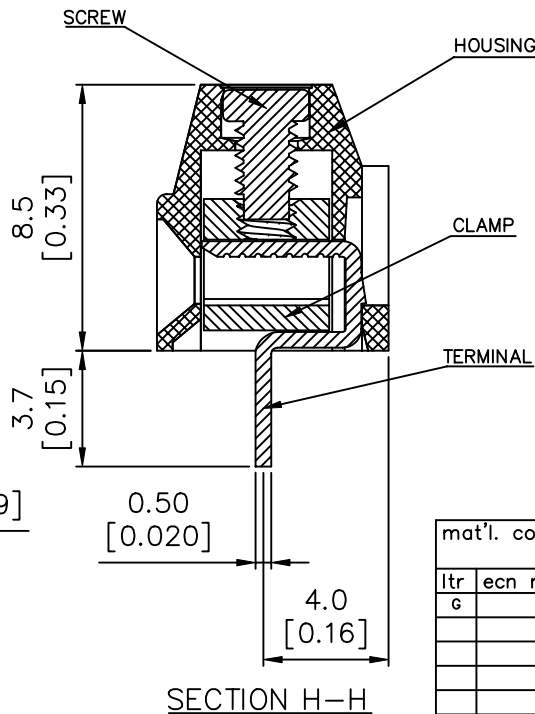
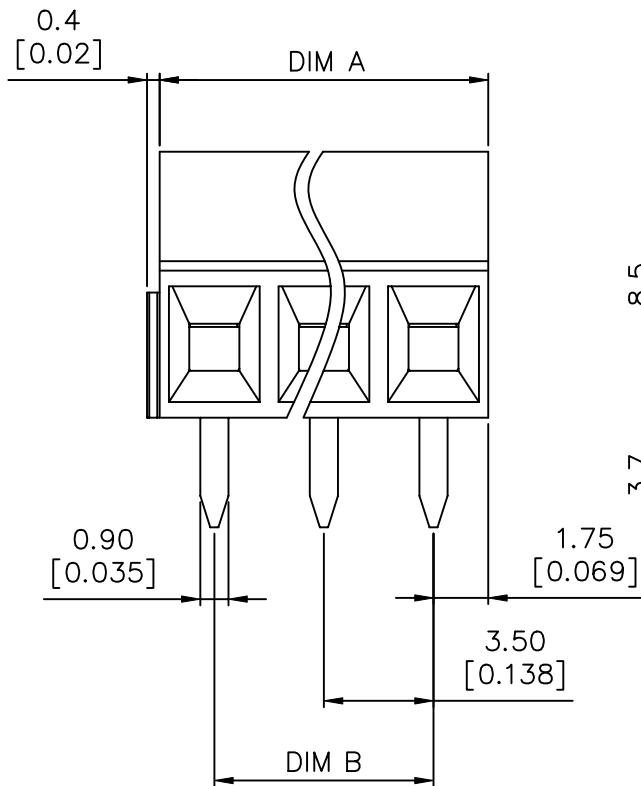
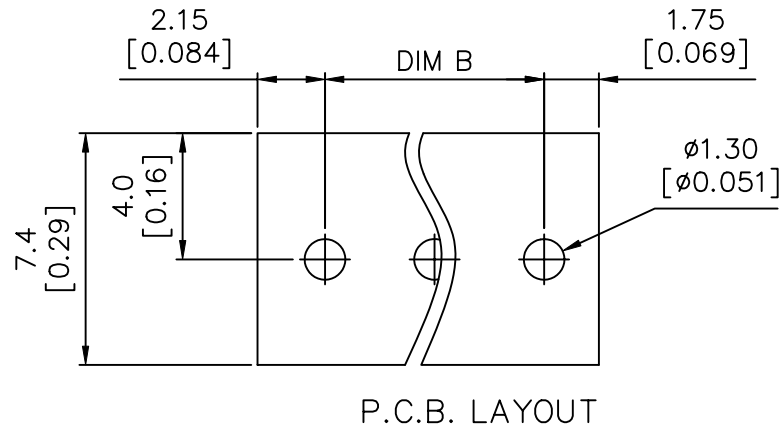
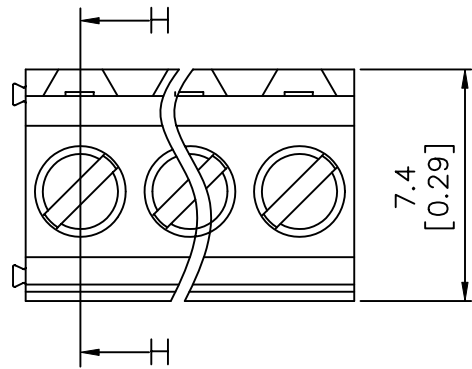
NOTES:

- MATERIALS**
 1-1 HOUSING: THERMALPLASTIC RESIN, UL 94V-0 RATED.
 1-2 SCREW: STEEL, ZINC PLATED.
 1-3 CLAMP: COPPER ALLOY, NICKEL PLATED.
 1-4 TERMINAL: COPPER ALLOY, TIN PLATED.
 2. PRODUCTION SPECIFICATION REFER TO FCI GS-12-625.
 3. BOXED PACKAGING.
 DETAILED PRODUCT PACKING SPECIFICATION REFER TO FCI GS-14-1394.
 4. FCI, SAFETY CERTIFICATE LOGO AND SERIES NAME TO BE SHOWN ON PRODUCT SURFACE.
 5. THE PRODUCTS WHERE THE PART NUMBER END IN "LF" MEET THE EUROPEAN UNION DIRECTIVE AND OTHER COUNTRY REGULATIONS AS DESCRIBED IN GS-22-008.
 6. RECOMENDED SOLDERING PROCESS BY WAVE SOLDER.

mat'l. code				surface ASME Y14.5 ✓ / tolerance ASME Y14.5		projection		product family	
tolerances unless otherwise specified				X.±0.5				TERMINAL BLOCK	
angles				X.X±0.3		MM		title	
X°±1'				X.XX±0.1		[INCH]		TERMINAL BLOCK	
scale								FIXED HORIZONTAL WIRE INLET	
dr				BEER FU 062509		FCI		dwg no	
enr				BEER FU 062509				sheet 1 of 3 size	
chr				GARY HSIEH 062509				20020327 A4	
appd				JOSEPH HSIA 062509				type	
sheet				G G				CUSTOMER Drawing	
revision				1 2 3					
index									



PRODUCT NUMBER	SERIES NAME	PITCH
20020327-CXXXXXXLF	26-350	3.50 mm



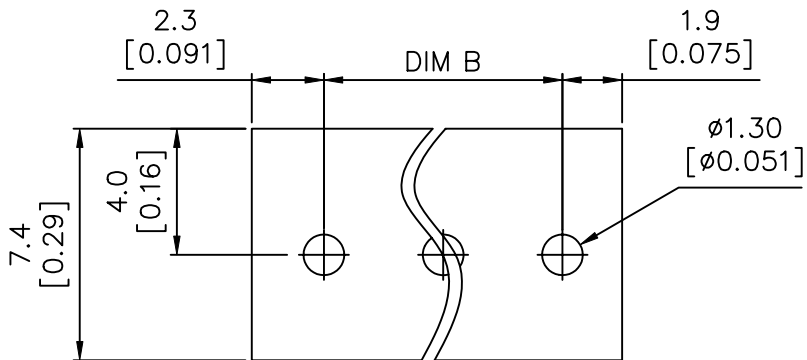
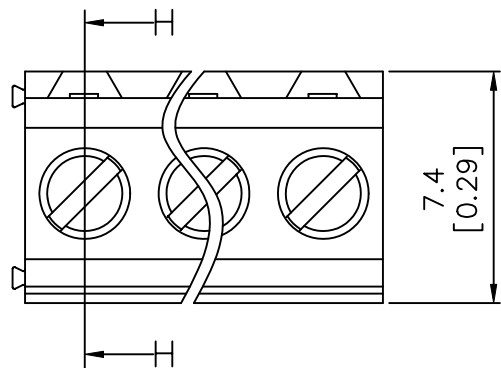
N = Number of poles
 Dim A = $N \times 3.5 [0.138]$
 Dim B = $(N-1) \times 3.5 [0.138]$

TOL.	Dim A	Dim B
2-6p	$\pm 0.15 [0.006]$	
7-12p	$\pm 0.20 [0.008]$	
13-16p	$\pm 0.25 [0.010]$	
17-24p	$\pm 0.30 [0.012]$	

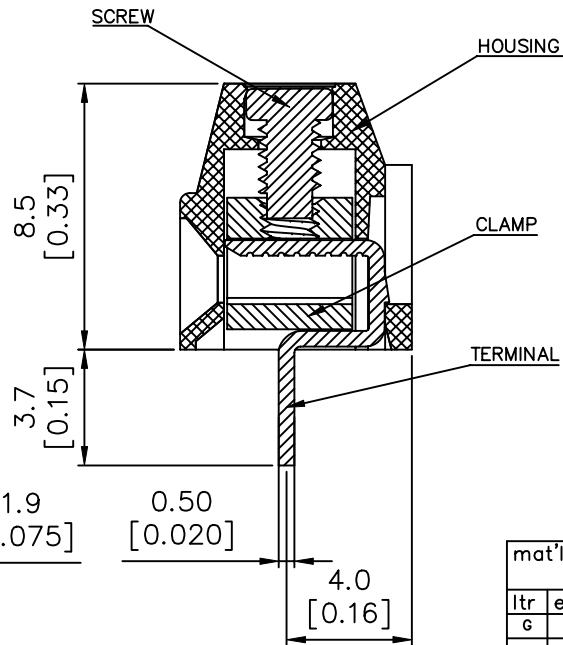
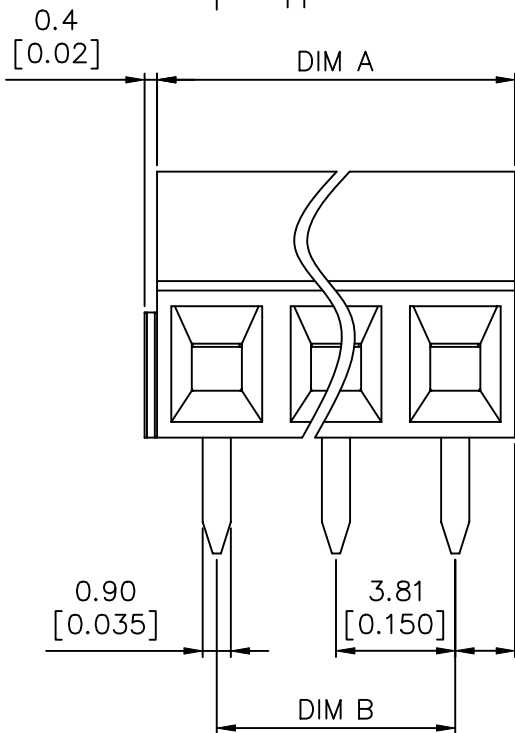
mat'l. code		surface ASME Y14.5	tolerance ASME Y14.5	projection 	product family TERMINAL BLOCK
ltr	ecn no	dr	date	title TERMINAL BLOCK FIXED HORIZONTAL WIRE INLET	
g	angles X°±1'			tolerances unless otherwise specified	MM [INCH]
				scale	dwg no 20020327
				dr BEER FU 062509	sheet 2 of 3 size A4
				enr BEER FU 062509	FCI logo
				chr GARY HSIEH 062509	
				appd JOSEPH HSIA 062509	
sheet index	revision sheet	type CUSTOMER Drawing			



PRODUCT NUMBER	SERIES NAME	PITCH
20020327-DXXXXXL	26-381	3.81 mm



P.C.B. LAYOUT



N = Number of poles
 Dim A = $N \times 3.81 [0.150]$
 Dim B = $(N - 1) \times 3.81 [0.150]$

TOL.	Dim A	Dim B
2-6p	$\pm 0.15 [0.006]$	
7-12p	$\pm 0.20 [0.008]$	
13-16p	$\pm 0.25 [0.010]$	
17-24p	$\pm 0.30 [0.012]$	

mat'l. code		surface ASME Y14.5	tolerance ASME Y14.5	projection 	product family TERMINAL BLOCK
ltr	ecn no	dr	date	title	
tolerances unless otherwise specified				 MM [INCH]	TERMINAL BLOCK FIXED HORIZONTAL WIRE INLET
angles		$X \pm 0.5$ $X.X \pm 0.3$ $X.XX \pm 0.1$			
line		$X \pm 1^{\circ}$			
scale				dwg no	
dr		BEER FU 062509		sheet 3 of 3 size	
enr		BEER FU 062509		20020327	
chr		GARY HSIEH 062509		A4	
appd		JOSEPH HSIA 062509		type	
sheet index		revision sheet		CUSTOMER Drawing	



Mouser Electronics

Authorized Distributor

Click to View Pricing, Inventory, Delivery & Lifecycle Information:

[FCI / Amphenol:](#)

<u>20020327-D021B01LF</u>	<u>20020327-D041B01LF</u>	<u>20020327-C081A01LF</u>	<u>20020327-D081B01LF</u>	<u>20020327-D231B01LF</u>
<u>20020327-C161B01LF</u>	<u>20020327-D131B01LF</u>	<u>20020327-C061B01LF</u>	<u>20020327-D161B01LF</u>	<u>20020327-C191B01LF</u>
<u>20020327-C091B01LF</u>	<u>20020327-D061B01LF</u>	<u>20020327-C121B01LF</u>	<u>20020327-D151B01LF</u>	<u>20020327-D121B01LF</u>
<u>20020327-D091B01LF</u>	<u>20020327-C021B01LF</u>	<u>20020327-C081B01LF</u>	<u>20020327-D031B01LF</u>	<u>20020327-C111B01LF</u>
<u>20020327-D241B01LF</u>	<u>20020327-C141B01LF</u>	<u>20020327-D111B01LF</u>	<u>20020327-C181B01LF</u>	<u>20020327-D071B01LF</u>
<u>20020327-C231B01LF</u>	<u>20020327-C031B01LF</u>	<u>20020327-D101B01LF</u>	<u>20020327-C241B01LF</u>	<u>20020327-C171B01LF</u>
<u>20020327-C101B01LF</u>	<u>20020327-C151B01LF</u>	<u>20020327-C221B01LF</u>	<u>20020327-C051B01LF</u>	<u>20020327-D181B01LF</u>
<u>20020327-C041B01LF</u>	<u>20020327-D211B01LF</u>	<u>20020327-D141B01LF</u>	<u>20020327-C201B01LF</u>	<u>20020327-D051B01LF</u>
<u>20020327-D191B01LF</u>	<u>20020327-D221B01LF</u>	<u>20020327-C211B01LF</u>	<u>20020327-C071B01LF</u>	<u>20020327-D171B01LF</u>
<u>20020327-D201B01LF</u>	<u>20020327-C131B01LF</u>	<u>20020327-C112B01LF</u>	<u>20020327-C162B01LF</u>	<u>20020327C081A01L</u>